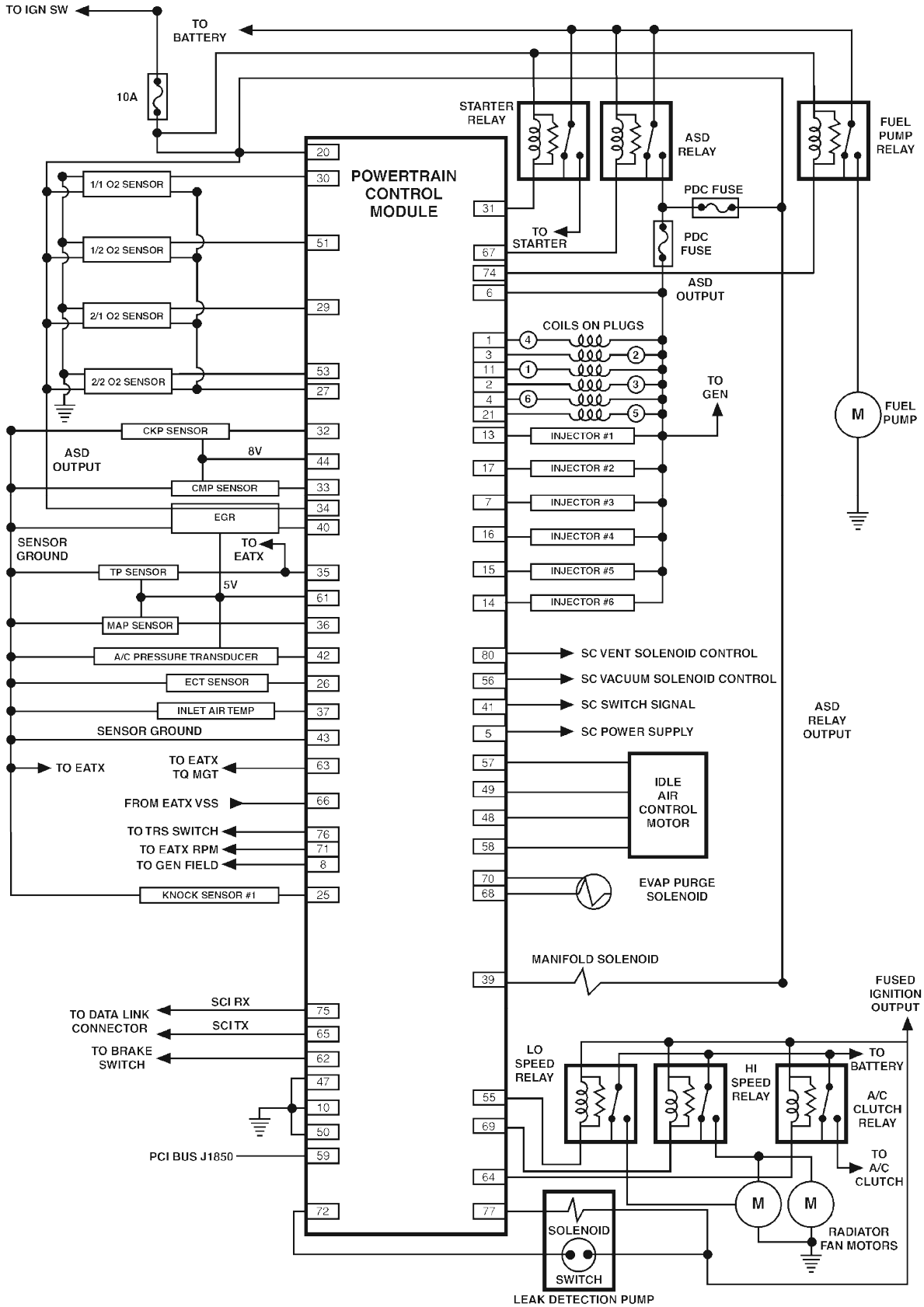


# SCHEMATIC DIAGRAMS

## 10.2 2002 JR 2.7L



SCHEMATIC DIAGRAMS