

LEVER - PARKING BRAKE (Continued)

(8) After the park brake cable tension has been properly adjusted, check for free play in park brake lever. Park brake hand lever should feel firm at all clicks, with a maximum of 15 clicks of lever travel possible.

(9) Install the floor console back in the vehicle. (Refer to 23 - BODY/INTERIOR/FLOOR CONSOLE - INSTALLATION)

SHOES - PARKING BRAKE

REMOVAL

- (1) Remove disc brake caliper from adapter and rotor (See Disc Brake Shoe Removal).
- (2) Remove rotor from hub/bearing.
- (3) Remove dust cap from hub/bearing.
- (4) Remove hub/bearing rear retaining nut and washer.
- (5) Remove hub/bearing from knuckle.
- (6) Remove hold down clip from rear park brake shoe (Fig. 75) .

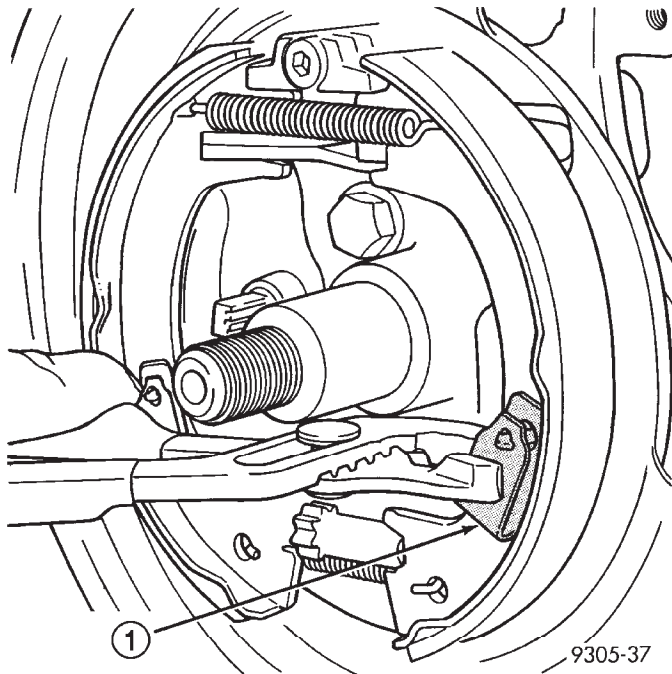


Fig. 75 Rear Park Brake Shoe Hold-Down Clip

1 - HOLD DOWN CLIP

(7) Turn park brake shoe adjuster wheel until adjuster is at its shortest length.

(8) Remove the park brake shoe adjuster from the park brake shoes (Fig. 76) .

(9) Remove the lower return spring (Fig. 77) between the park brake shoes.

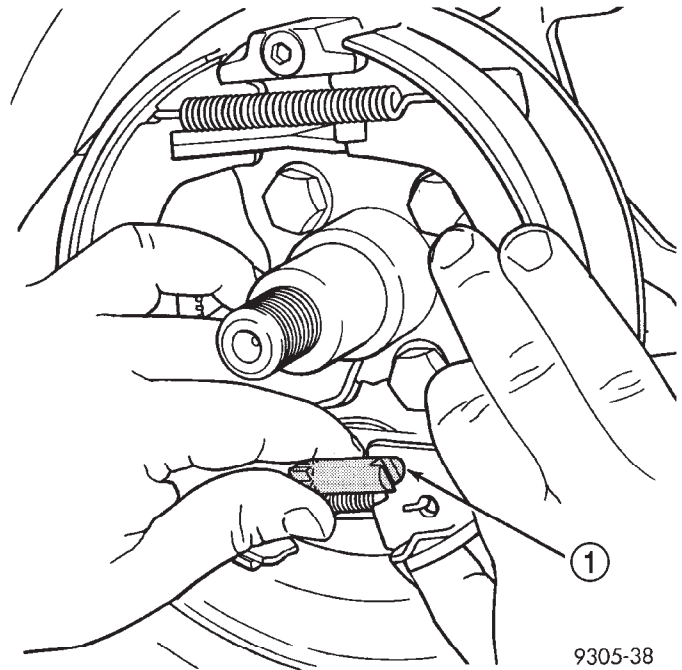


Fig. 76 Park Brake Shoe Adjuster

1 - ADJUSTER

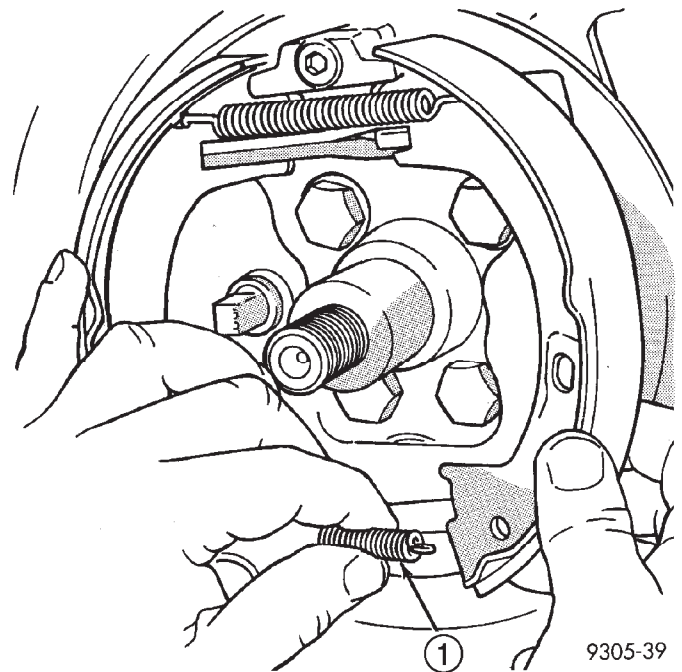
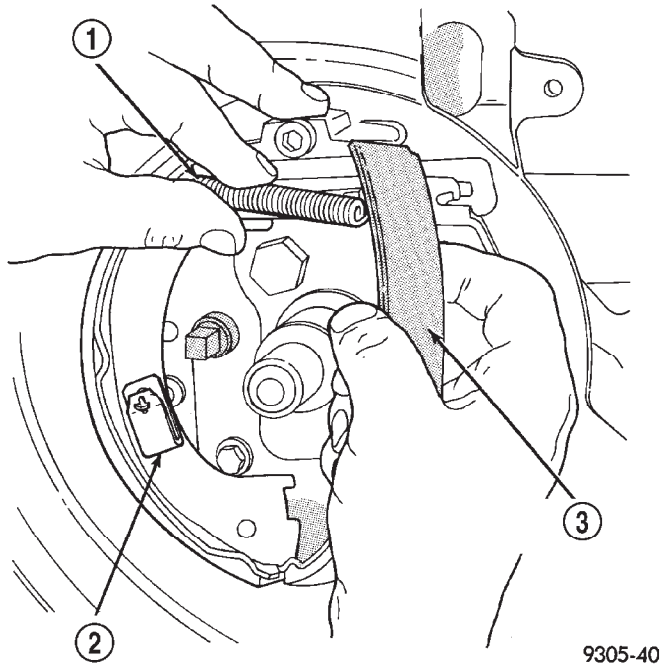


Fig. 77 Brake Shoe Lower Return Spring

1 - LOWER SPRING

SHOES - PARKING BRAKE (Continued)

(10) Pull the rear park brake shoe away from the caliper adapter (Fig. 78) . Remove the upper return spring (Fig. 78) from between the park brake shoes.



9305-40

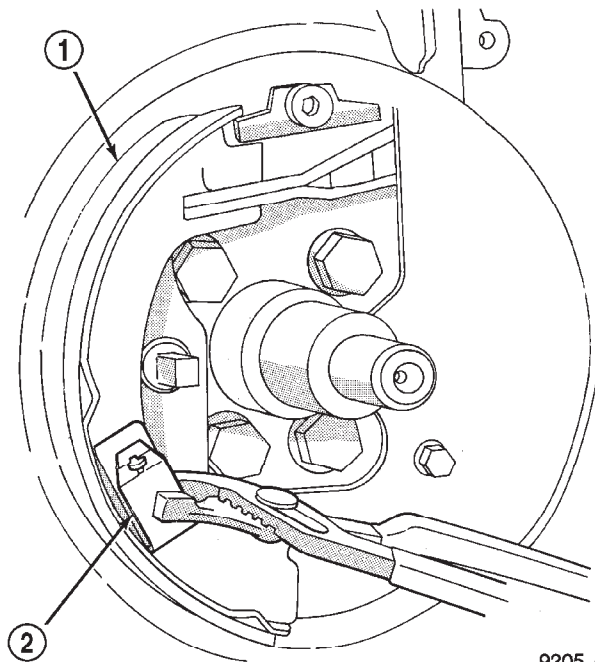
Fig. 78 Brake Shoe and Upper Spring

- 1 - UPPER SPRING
- 2 - HOLD DOWN CLIP
- 3 - REAR PARKING BRAKE SHOE

(11) Remove the hold-down clip from the front park brake shoe (Fig. 79) . Then remove front park brake shoe.

INSTALLATION

- (1) Install front brake shoe and hold down clip (Fig. 79).
- (2) Install the rear park brake shoe and the park brake shoe upper return spring (Fig. 78).
- (3) Pull rear brake shoe over anchor block until properly located on adapter.
- (4) Install the park brake lower return spring (Fig. 77).



9305-41

Fig. 79 Front Park Brake Shoe Hold Down Clip

- 1 - FRONT BRAKE SHOE ASSEMBLY
- 2 - HOLD DOWN CLIP

(5) Install the adjuster between the park brake shoes. Adjuster must be installed with the star wheel toward the rear of the vehicle (Fig. 76).

(6) Install hold down clip on rear park brake shoe (Fig. 75).

(7) Adjust park brake shoes to an outside diameter of 171 mm (6.75 inch).

(8) Install hub/bearing on knuckle.

(9) Install **A NEW** hub/bearing retaining nut. Tighten the hub/ bearing retaining nut to a torque of 250 N·m (185 ft. lbs.).

(10) Install dust cap on hub/bearing.

(11) Install rotor.

(12) Install rear disc brake caliper on adapter (See Brake Shoe Removal).

(13) Install wheel and tire.

(14) Tighten wheel stud nuts to 135 N·m (100 ft.lbs.).