

PRODEMAND

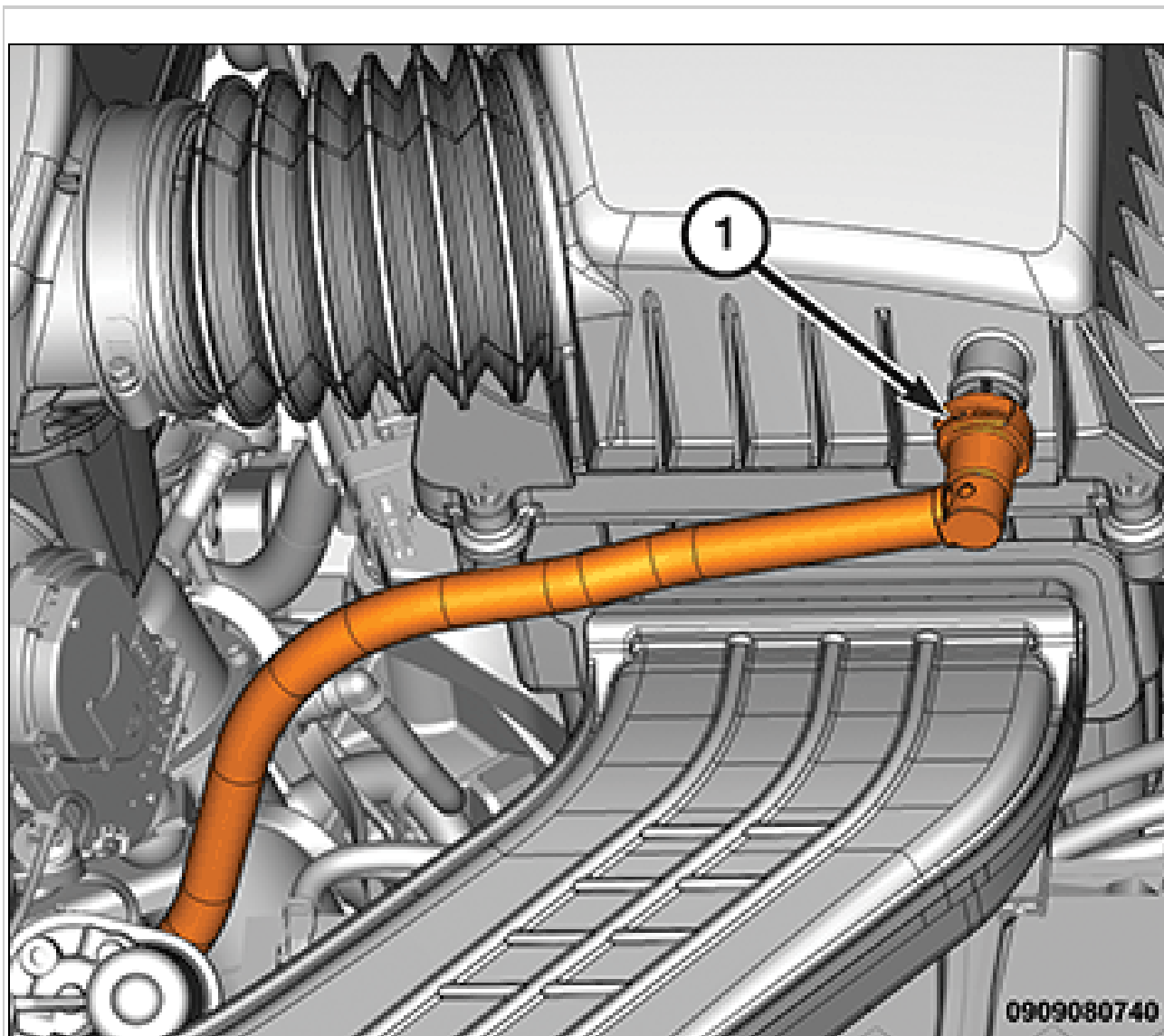
YMMS: 2020 Chrysler Pacifica Hybrid Touring L
Engine: 3.6L Eng
VIN:

Mar 8, 2021
License:
Odometer:

REMOVAL AND INSTALLATION

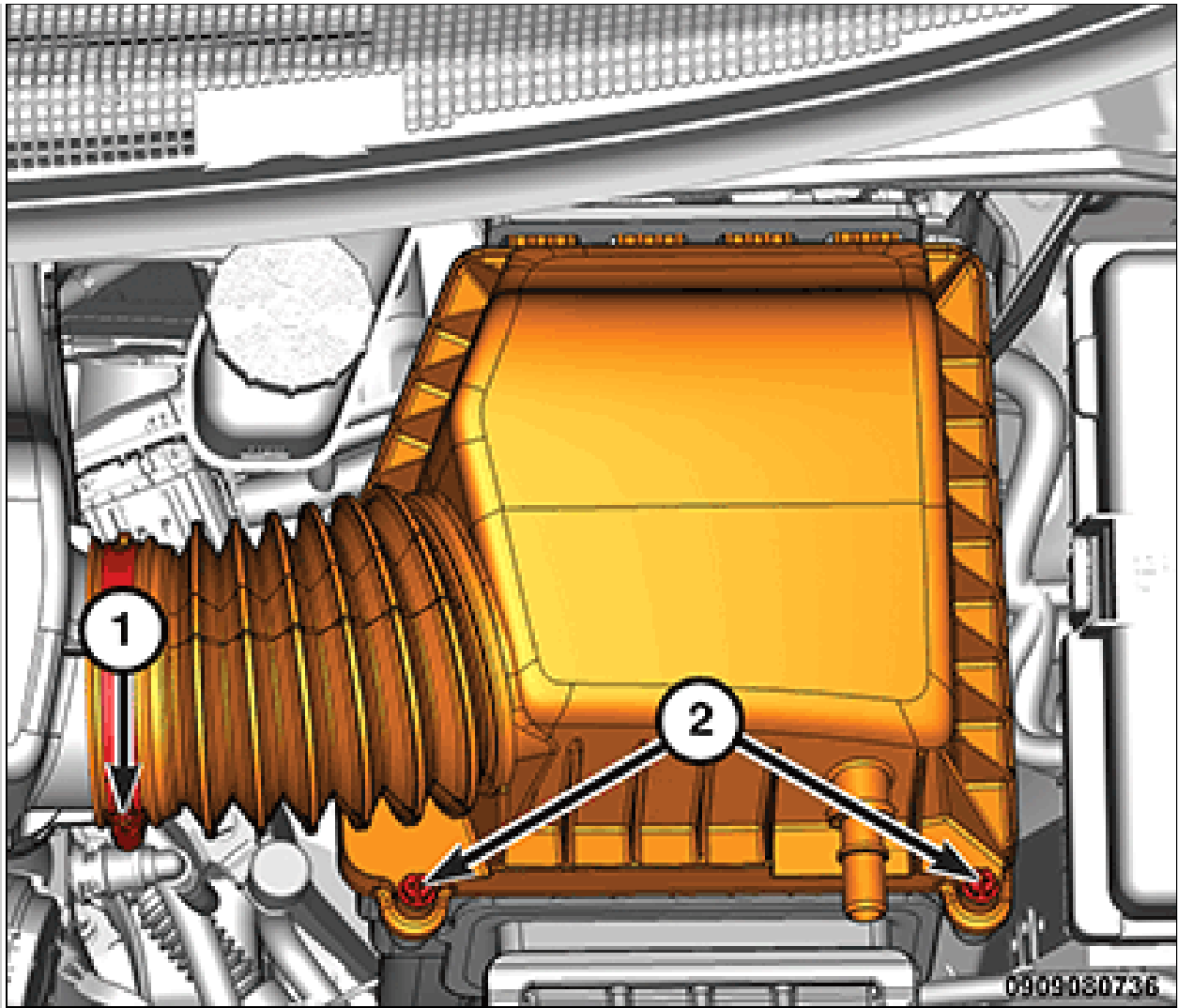
REMOVAL AND INSTALLATION

REMOVAL



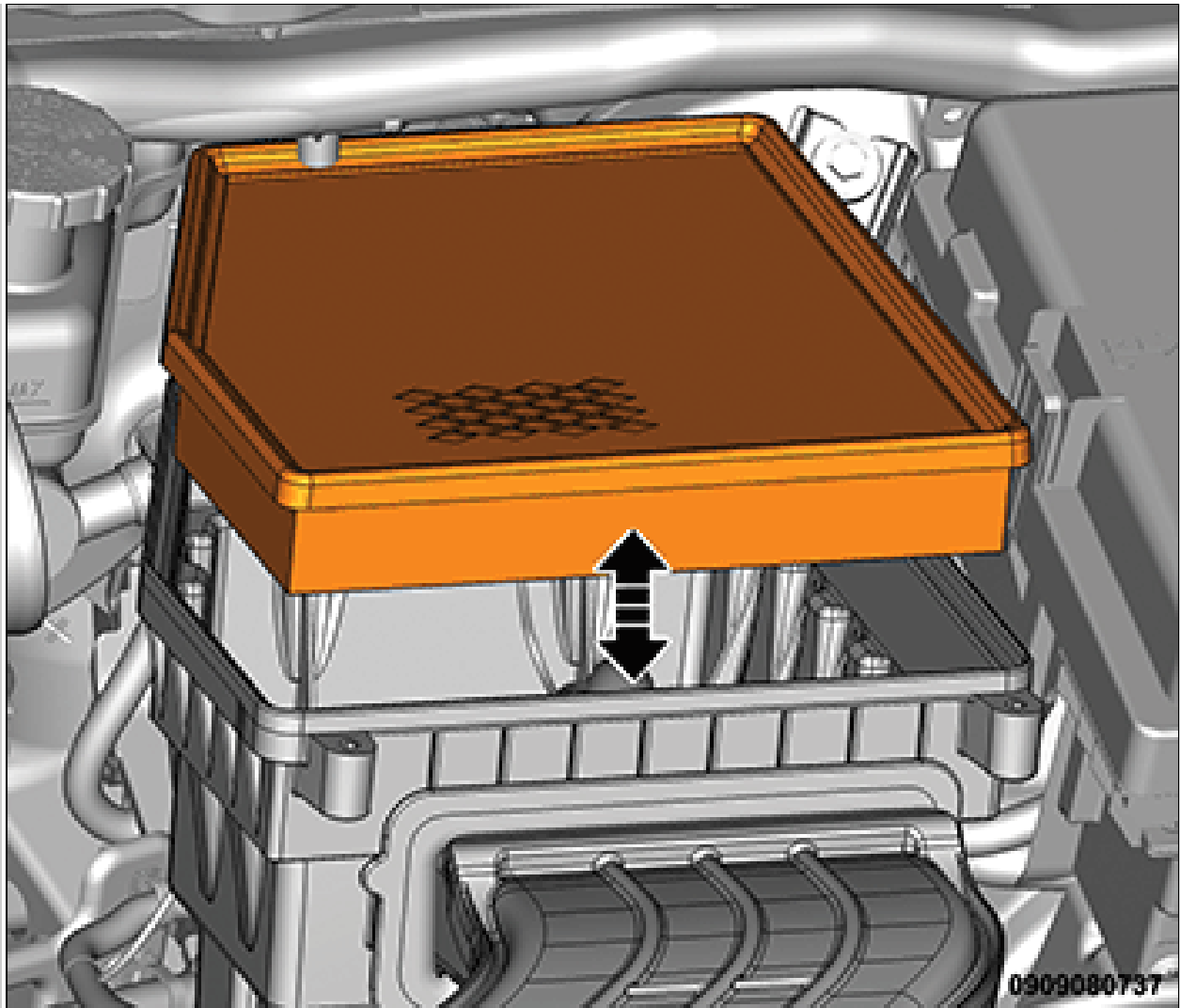
Courtesy of CHRYSLER GROUP, LLC

1. Disconnect the fresh air makeup hose (1) from the air cleaner body.



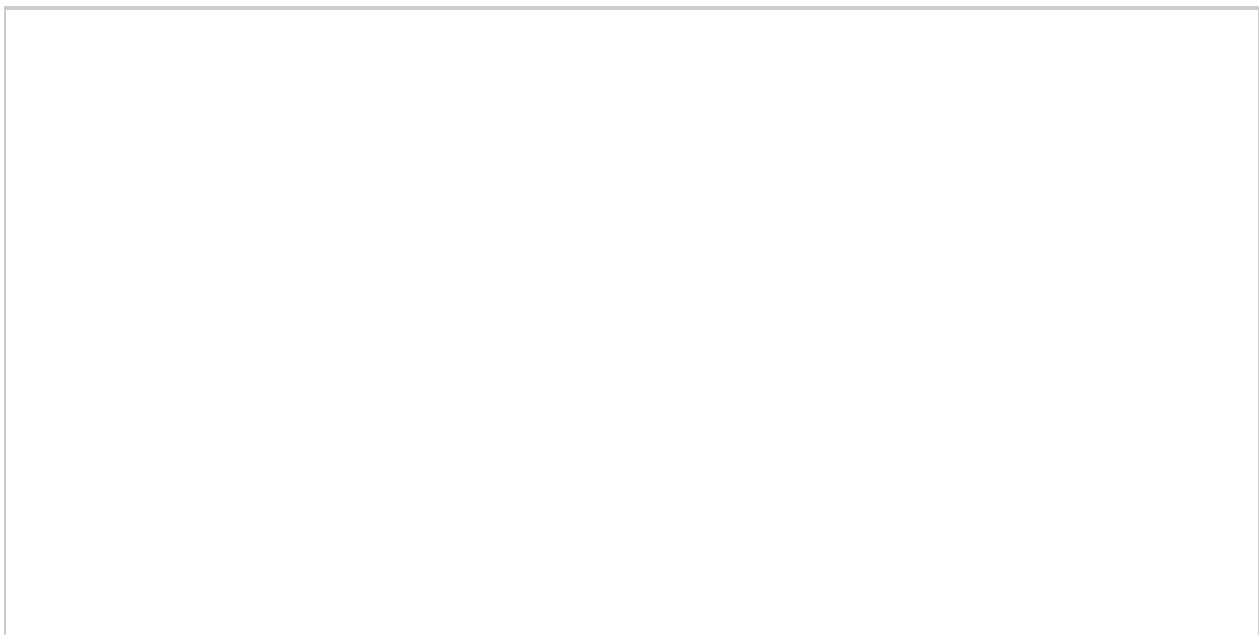
Courtesy of CHRYSLER GROUP, LLC

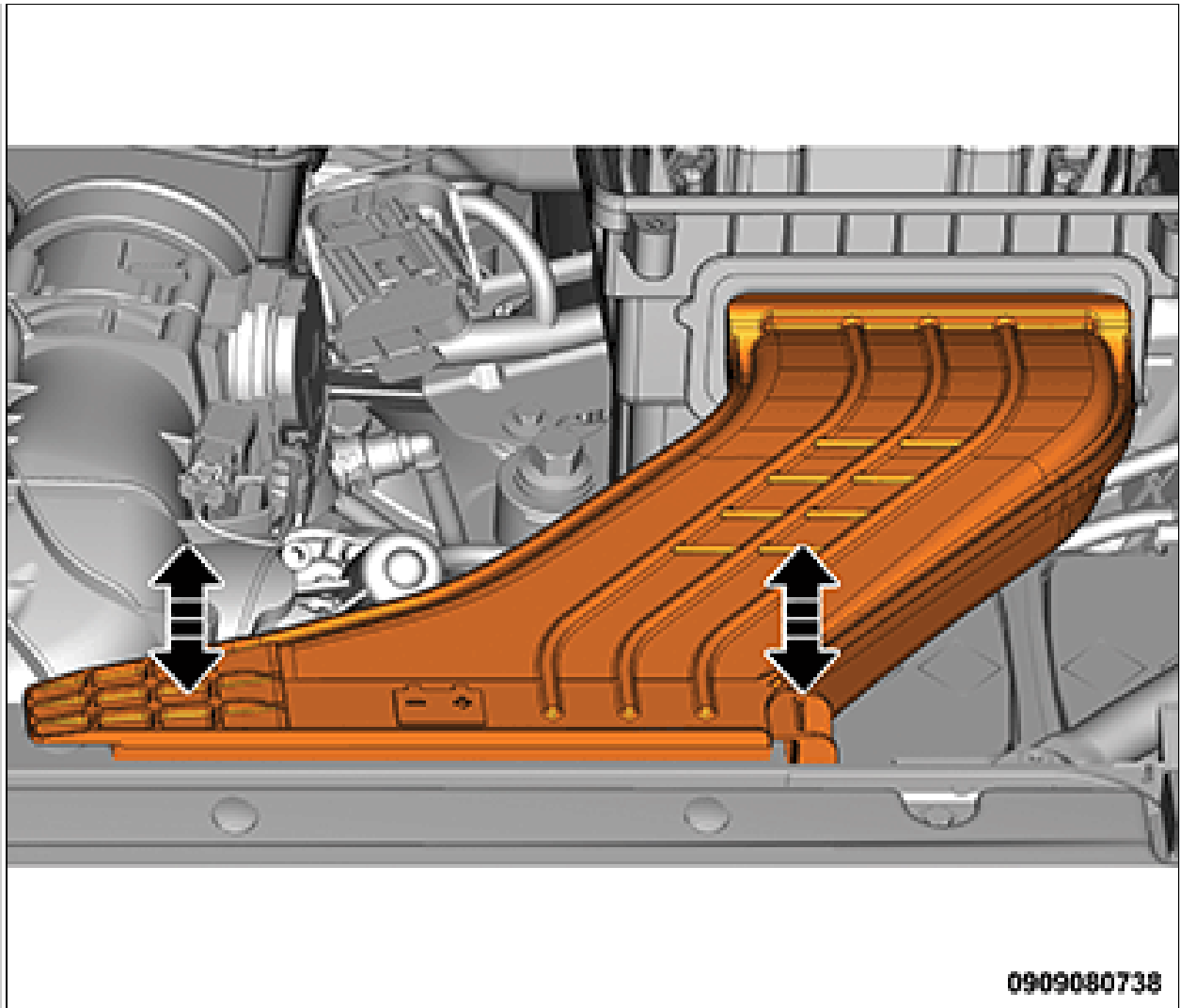
2. Loosen the clamp (1) and remove the hose from the resonator.
3. Loosen the retaining screws (2) and remove the air cleaner housing cover.



Courtesy of CHRYSLER GROUP, LLC

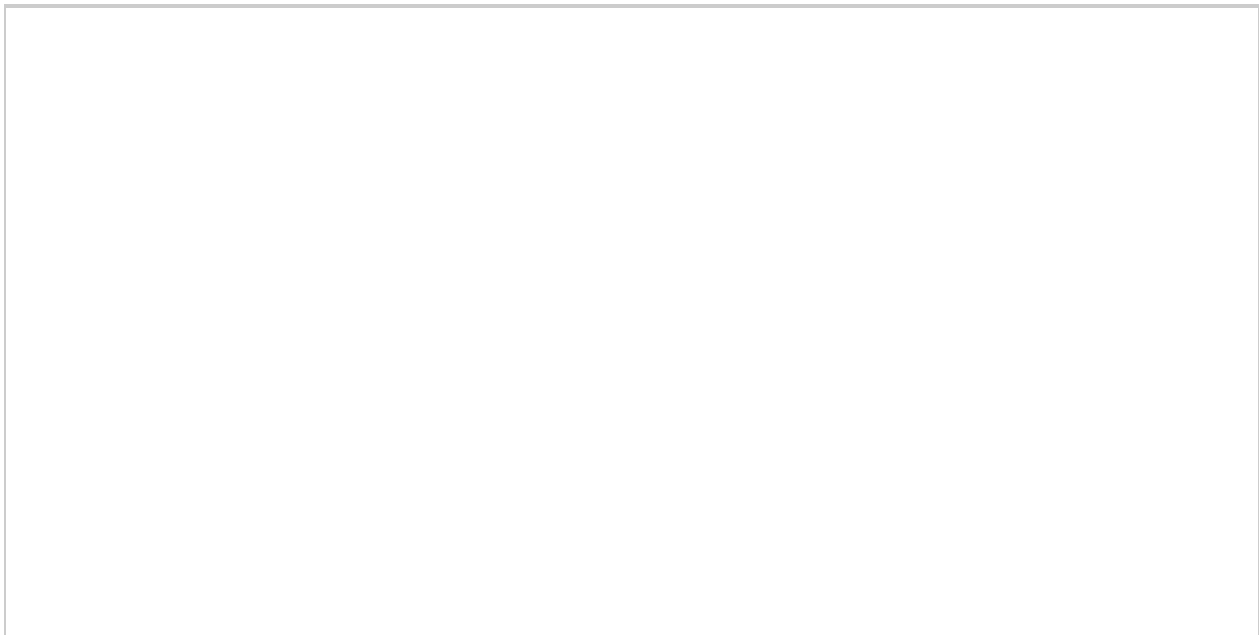
4. Remove the air cleaner element.

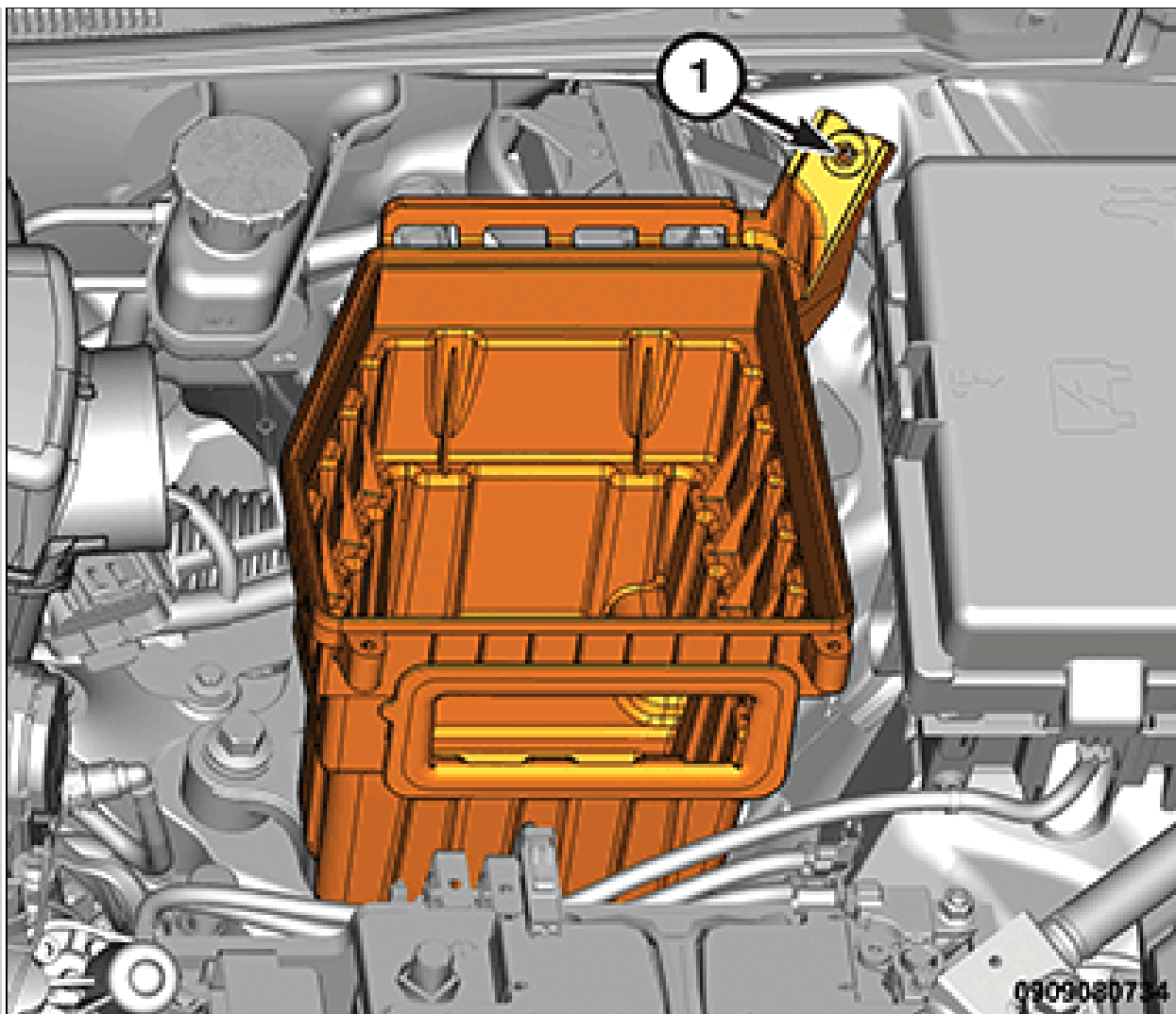




Courtesy of CHRYSLER GROUP, LLC

5. Disengage the retainers and remove the air inlet duct.

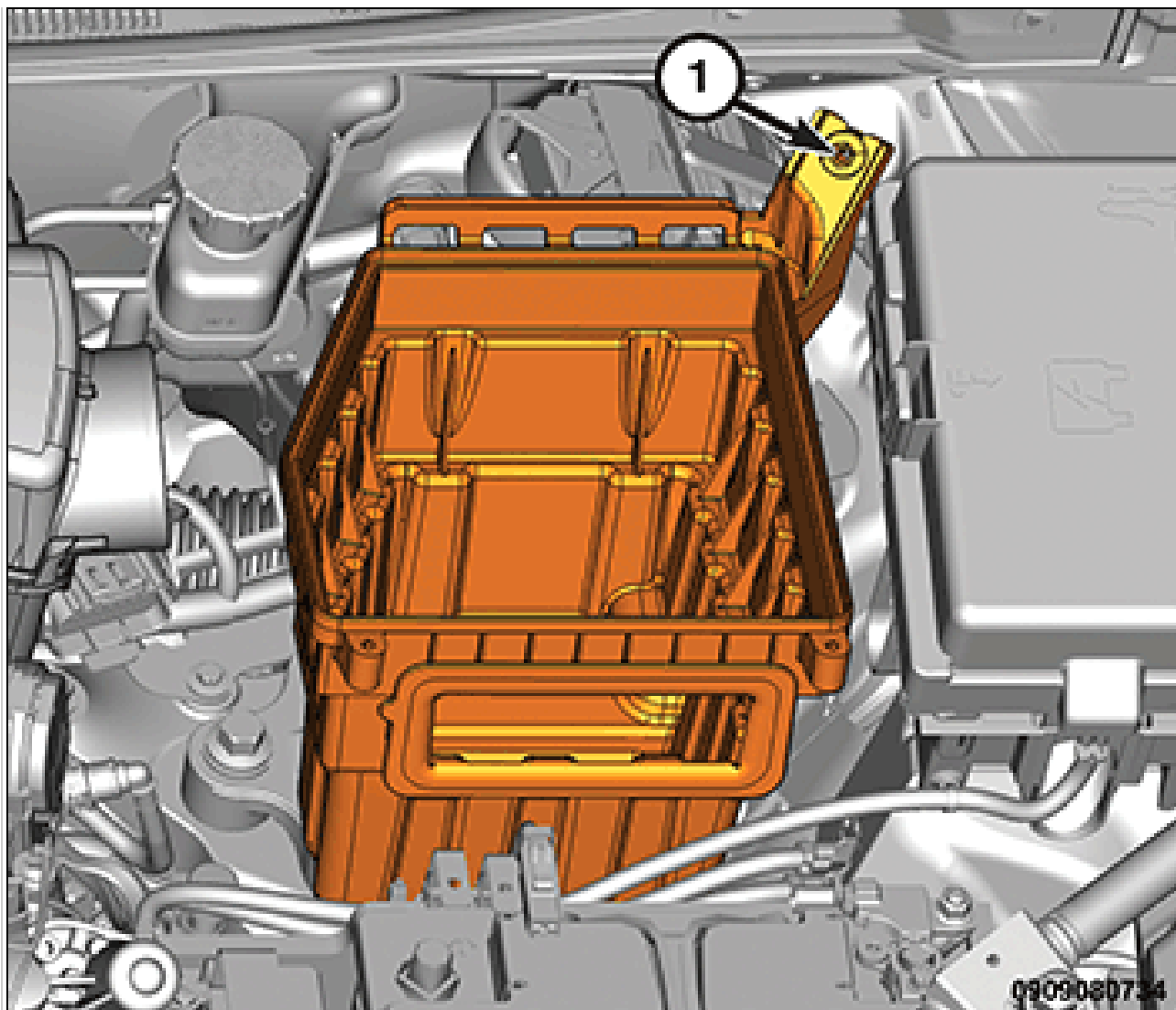




Courtesy of CHRYSLER GROUP, LLC

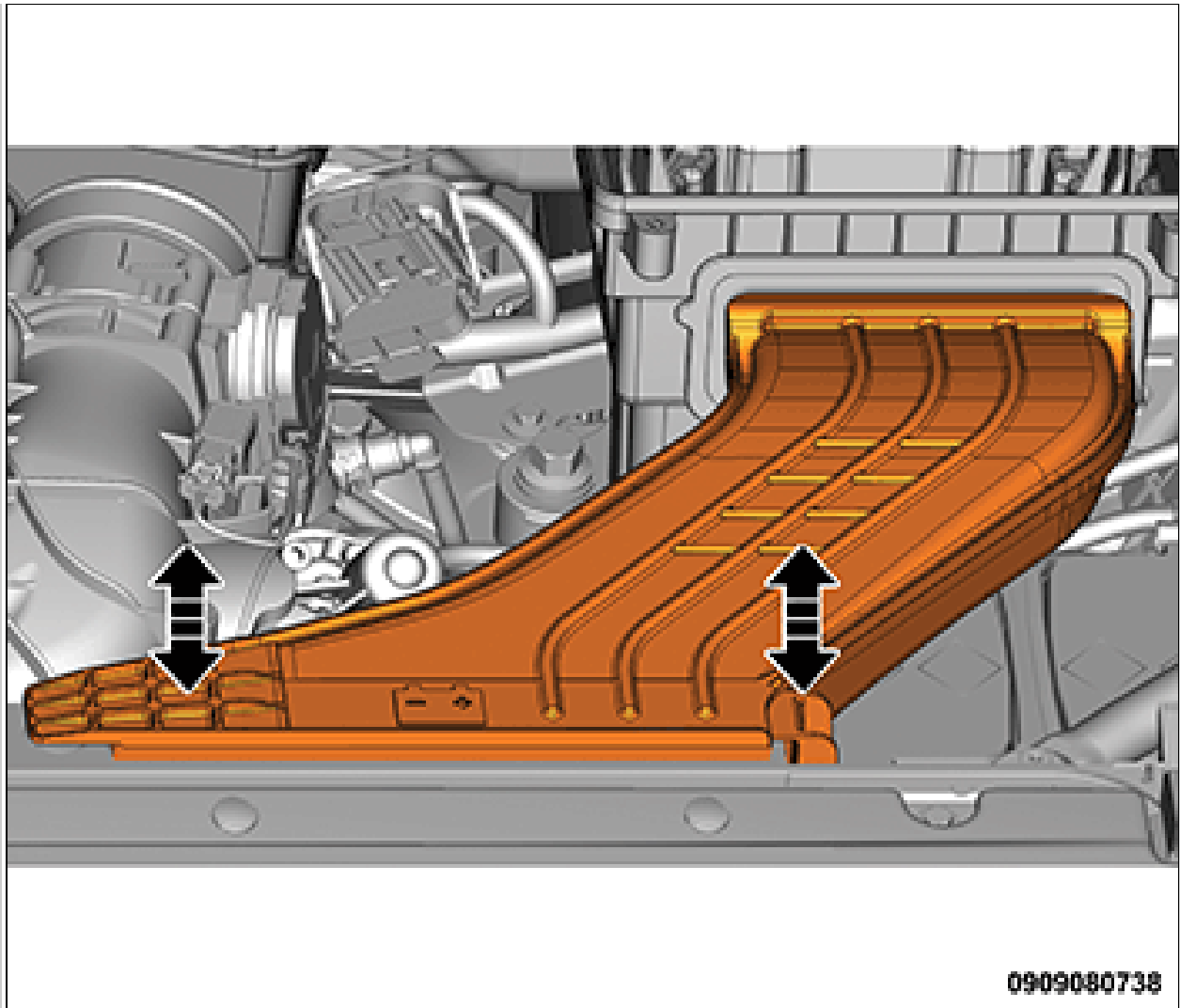
6. Remove the bolt (1) and pull the air cleaner body straight up to disengage the locating pins from the rubber mount sockets.

INSTALLATION



Courtesy of CHRYSLER GROUP, LLC

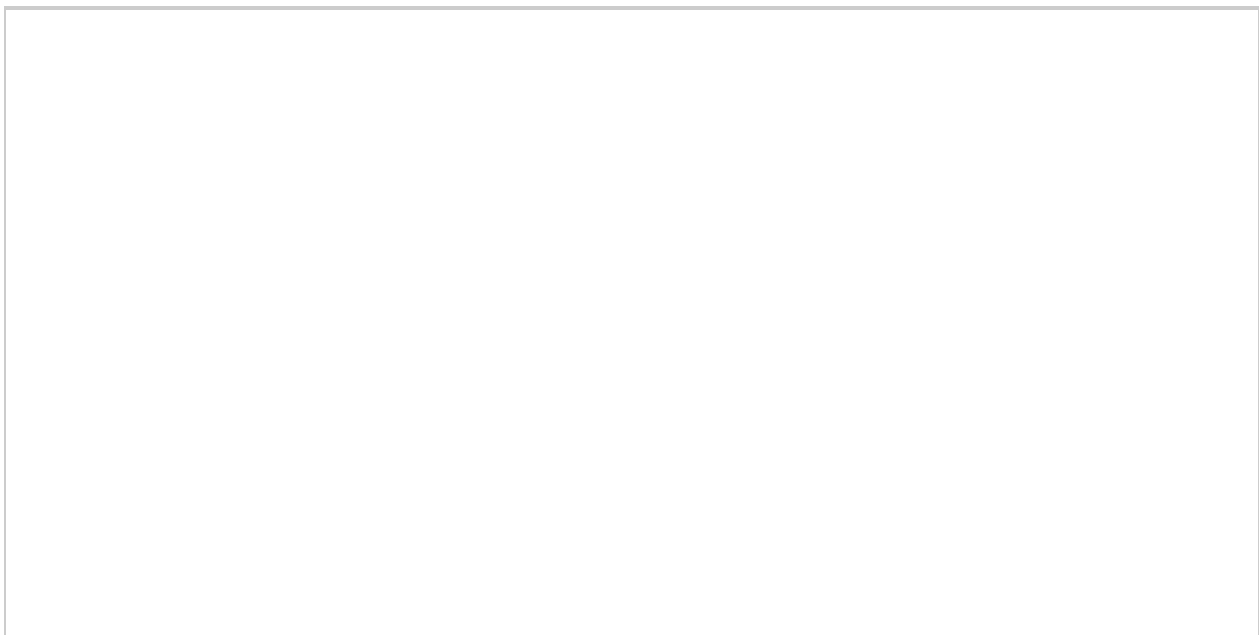
1. Lubricate the rubber mount sockets with Mopar® Rubber Bushing Installation Lube.
2. Install the air cleaner body straight down on the locating pins until the rubber mount sockets are fully seated.
3. Install the bolt (1) and tighten to the proper specification. Refer to TECHNICAL SPECIFICATIONS.

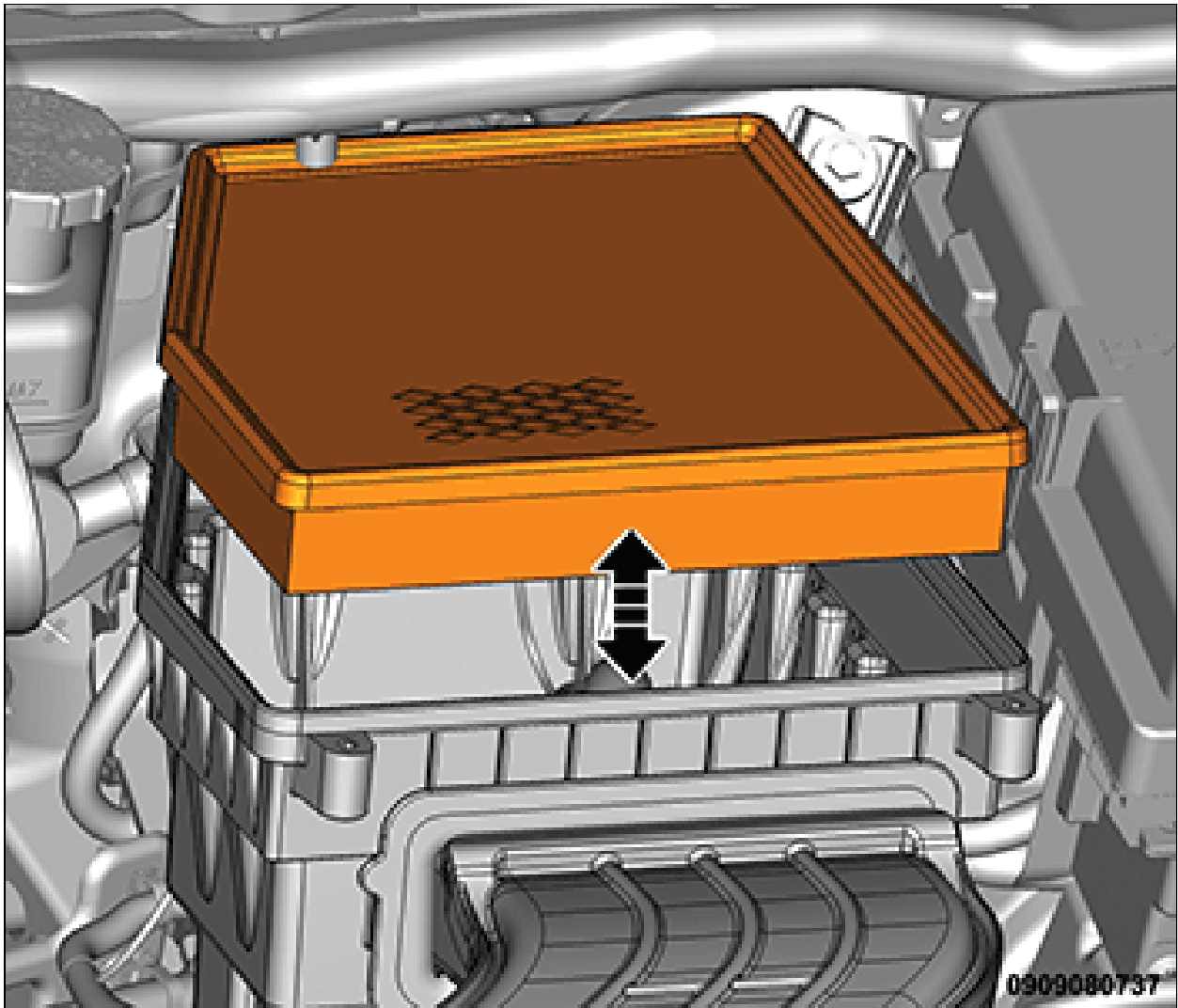


0909080738

Courtesy of CHRYSLER GROUP, LLC

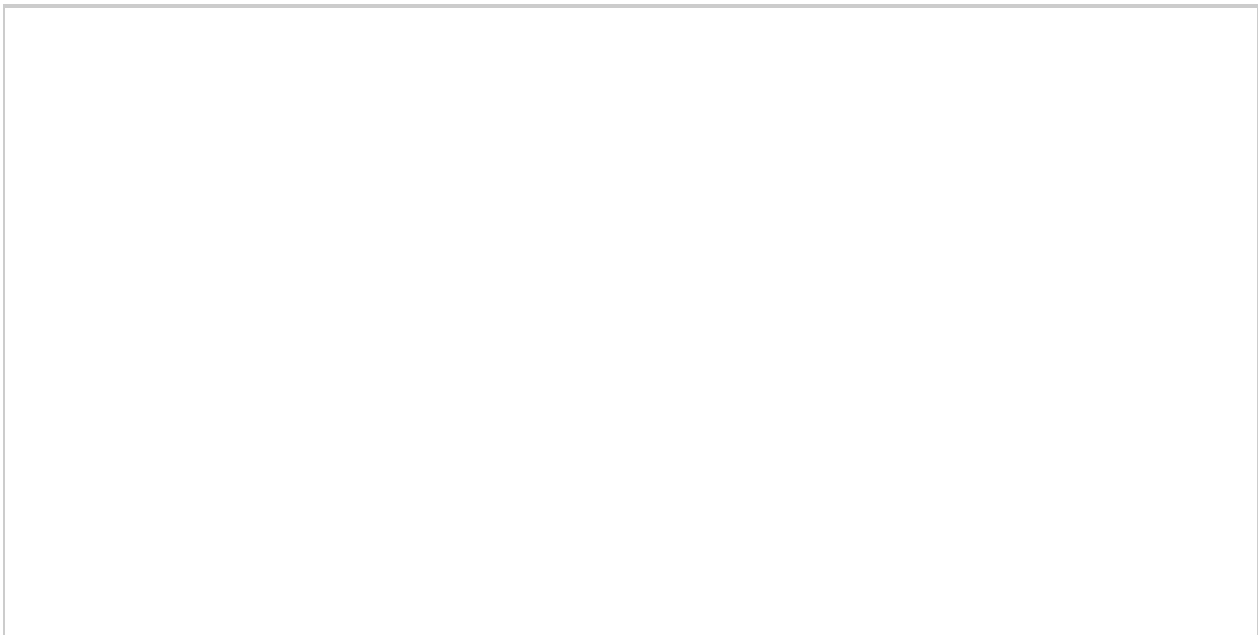
4. Install the air inlet duct and engage the retainers.

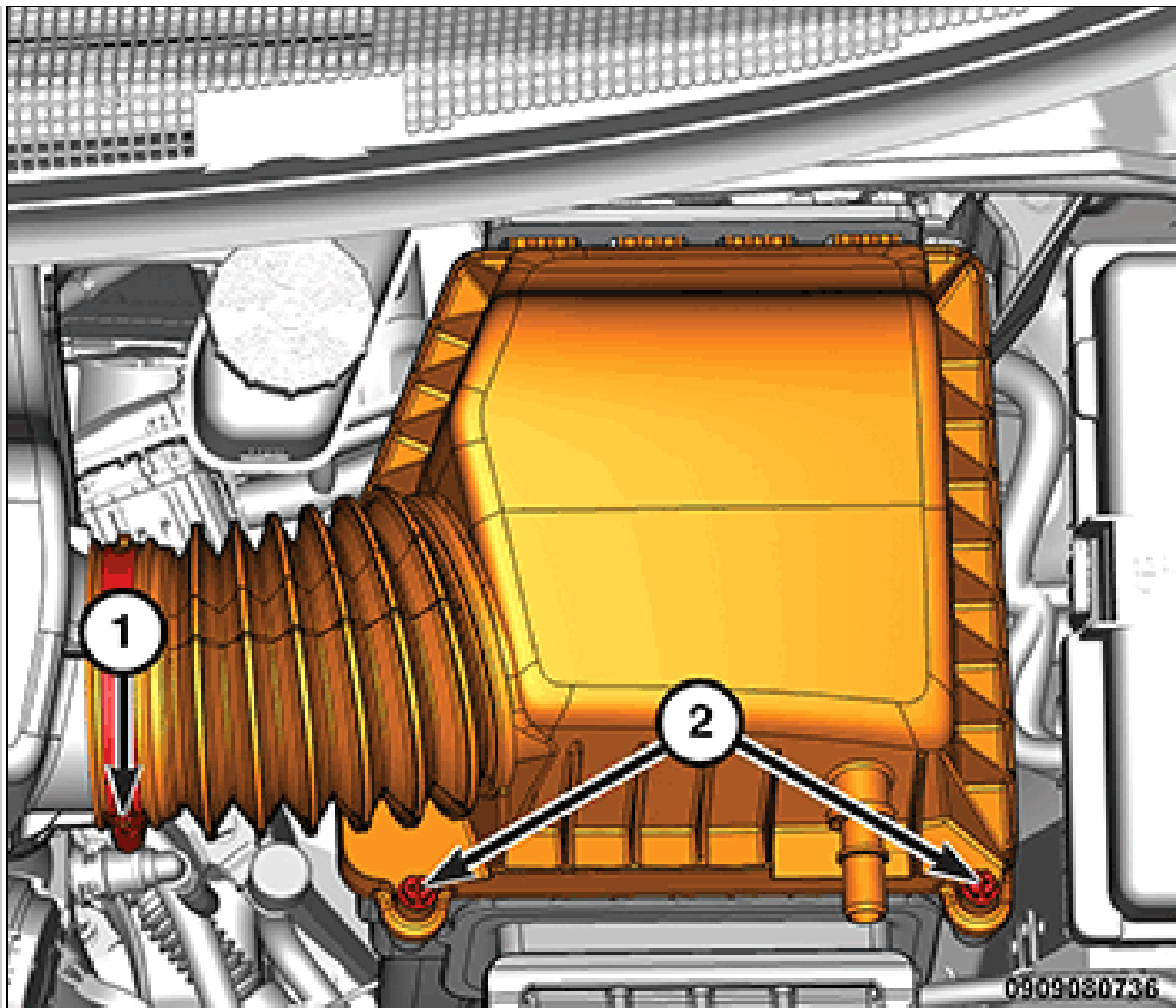




Courtesy of CHRYSLER GROUP, LLC

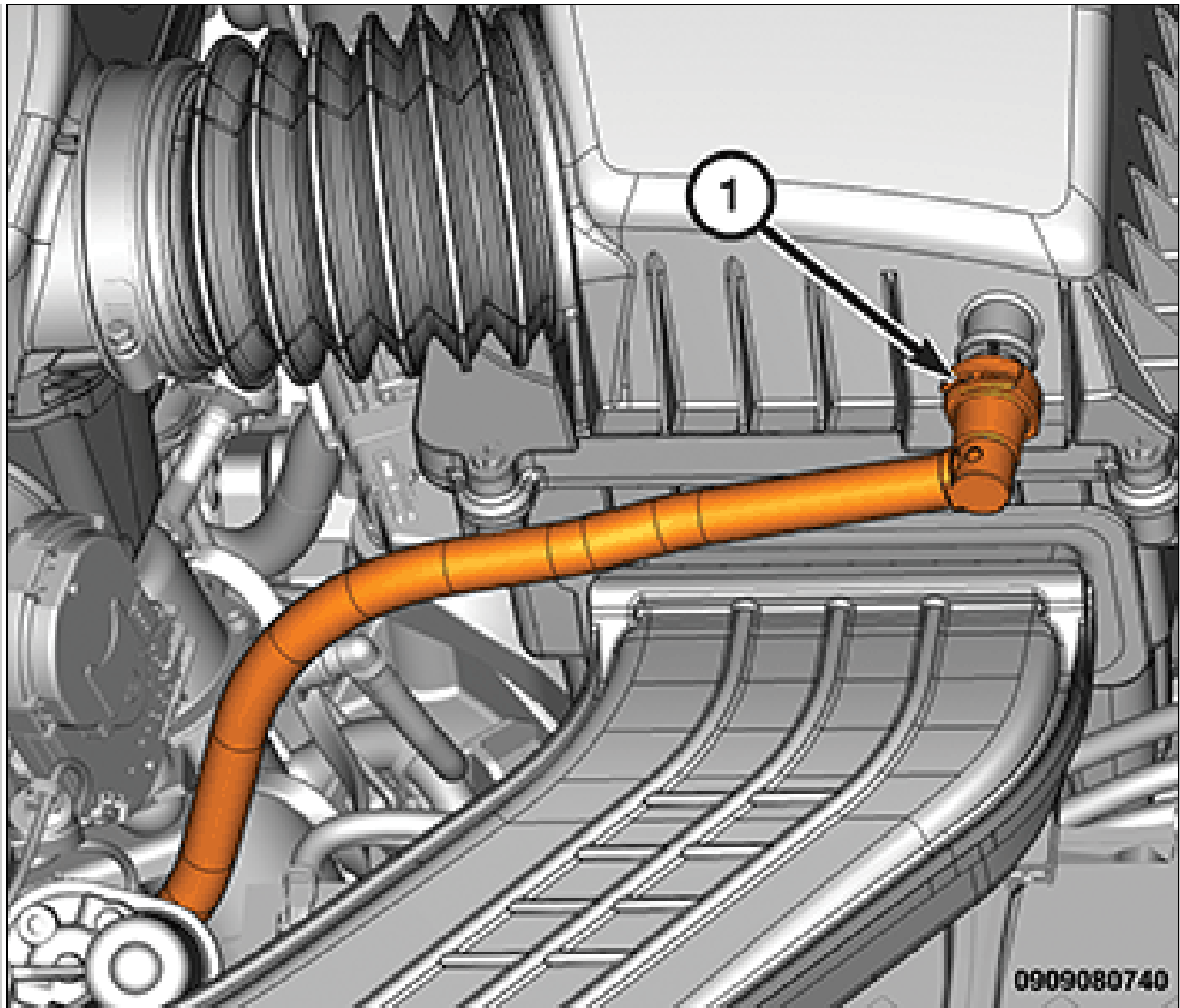
5. Install the air cleaner element into the air cleaner housing.





Courtesy of CHRYSLER GROUP, LLC

6. Install the hose to the resonator and seat the cover onto the housing. Tighten the housing cover retaining screws (2).
7. Tighten the clamp (1) to the proper specification. Refer to TECHNICAL SPECIFICATIONS.



Courtesy of CHRYSLER GROUP, LLC

8. Connect the fresh air makeup hose (1) to the air cleaner body.