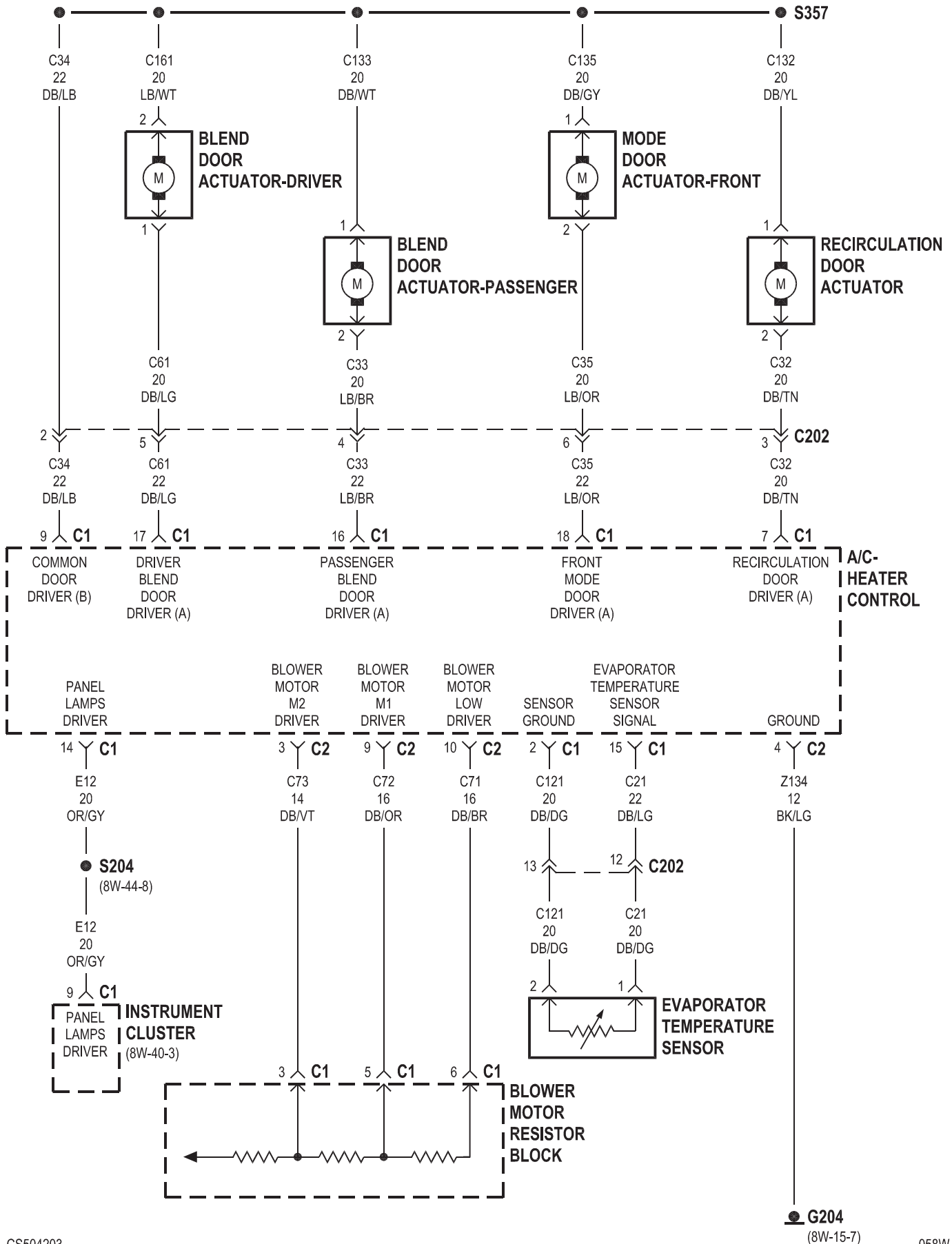


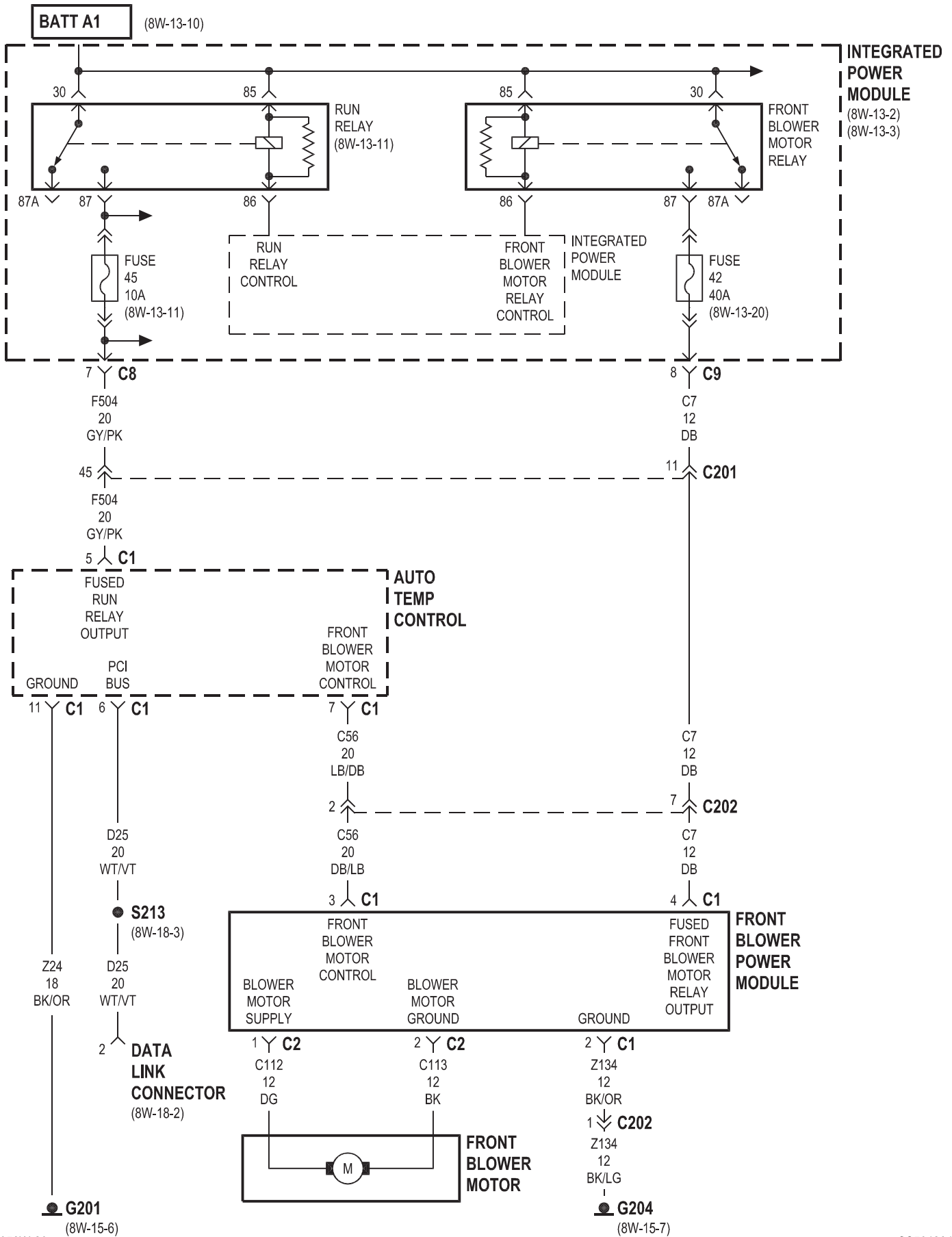
8W-42 AIR CONDITIONING/HEATER

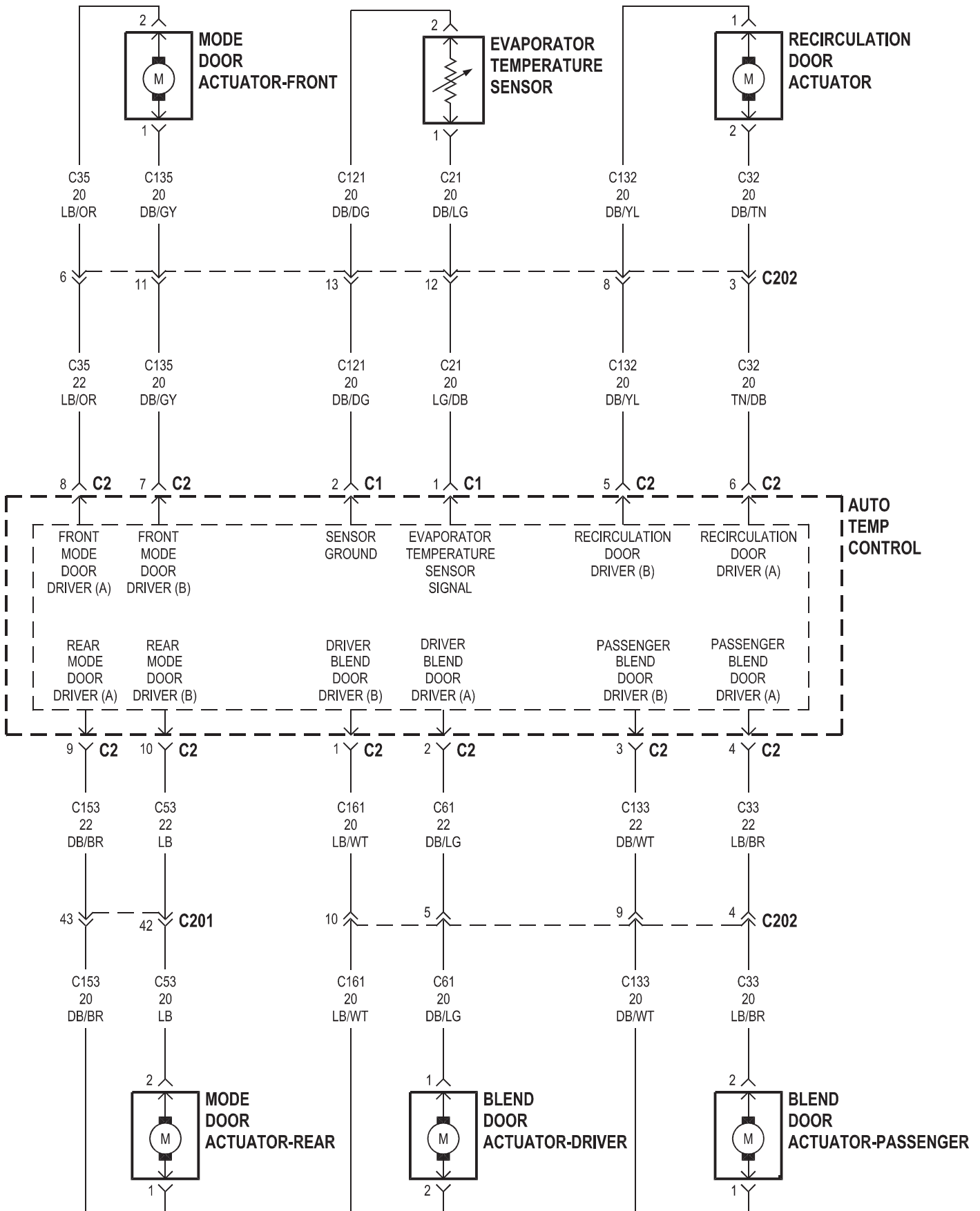
Component	Page	Component	Page
A/C Compressor Clutch Relay	8W-42-8	G102	8W-42-8
A/C Pressure Transducer	8W-42-8	G104	8W-42-9
A/C-Heater Control	8W-42-2, 3	G201	8W-42-2, 4
Auto Temp Control	8W-42-4, 5, 6, 7	G204	8W-42-3, 4
Blend Door Actuator-Driver	8W-42-3, 5	G301	8W-42-6, 7
Blend Door Actuator-Passenger	8W-42-3, 5	Instrument Cluster	8W-42-3, 7
Blower Motor Resistor Block	8W-42-2, 3	Integrated Power Module	8W-42-2, 4, 6, 8, 9
Data Link Connector	8W-42-2, 4	Mode Door Actuator-Front	8W-42-3, 5
Evaporator Temperature Sensor	8W-42-3, 5	Mode Door Actuator-Rear	8W-42-5
Front Blower Motor	8W-42-2, 4	Powertrain Control Module	8W-42-8, 9
Front Blower Motor Relay	8W-42-2, 4	Radiator Fan Motor No. 1	8W-42-9
Front Blower Power Module	8W-42-4	Radiator Fan Motor No. 2	8W-42-9
Fuse 13	8W-42-9	Radiator Fan Relay	8W-42-9
Fuse 3	8W-42-6	Rear Booster Fan	8W-42-6
Fuse 34	8W-42-6	Rear Booster Fan Power Module	8W-42-6
Fuse 38	8W-42-8	Rear Booster Fan Rear Control Switch ...	8W-42-7
Fuse 42	8W-42-2, 4	Rear Booster Fan Relay	8W-42-6
Fuse 45	8W-42-2, 4	Recirculation Door Actuator	8W-42-3, 5
Fuse 50	8W-42-6	Run Relay	8W-42-2, 4, 6

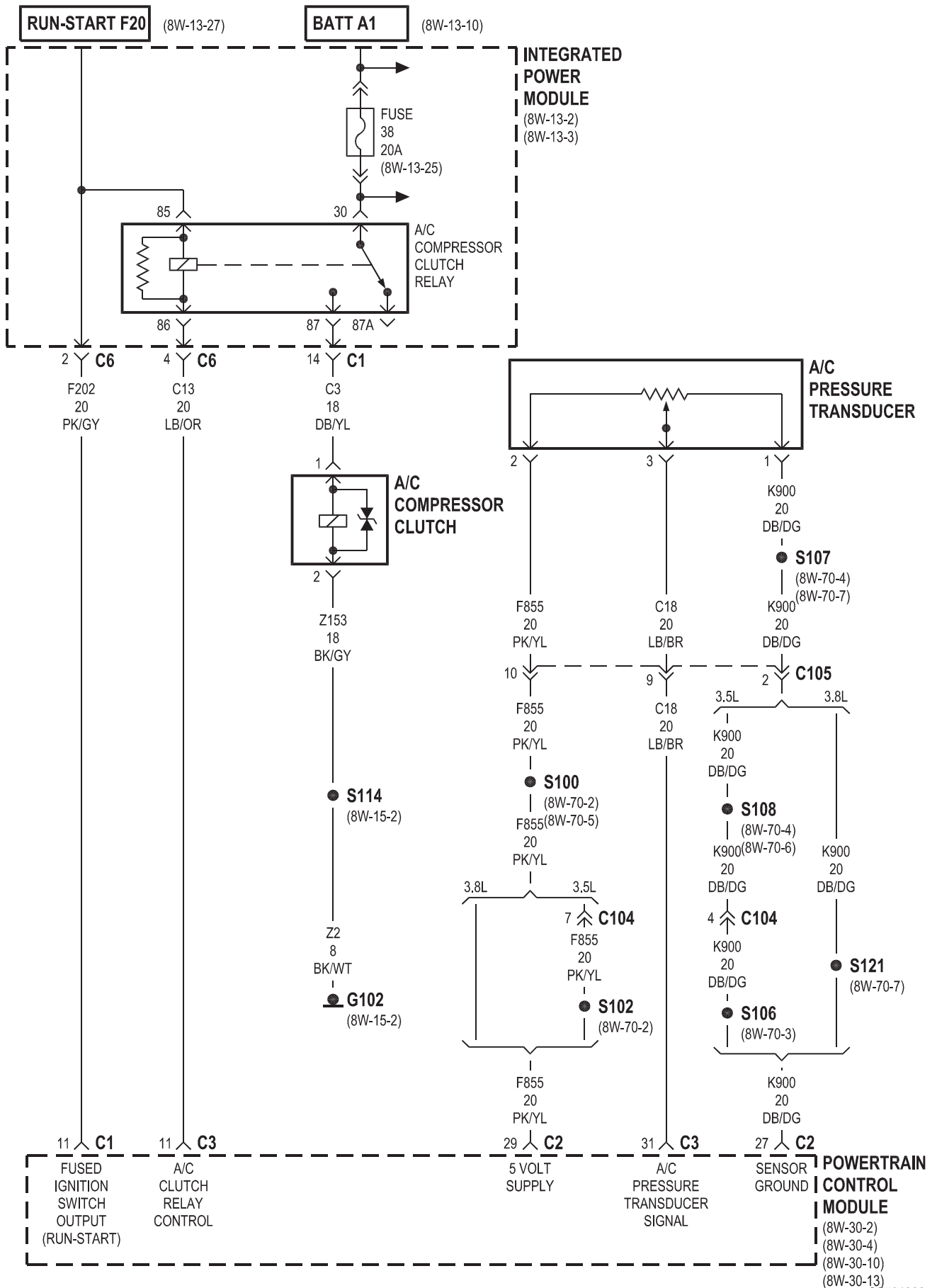
From Chrysler factory 2005 Pacifica manual.



ATC







ATC

