

TABLE OF CONTENTS

1.0	INTRODUCTION	1
1.1	SYSTEM COVERAGE	1
1.2	SIX -STEP TROUBLESHOOTING PROCEDURE	1
2.0	IDENTIFICATION OF SYSTEM	1
3.0	SYSTEM DESCRIPTION AND FUNCTIONAL OPERATION	1
3.1	GENERAL DESCRIPTION	1
3.2	FUNCTIONAL OPERATION	1
3.2.1	AUTOSTICK FEATURE (IF EQUIPPED)	2
3.2.2	TRANSMISSION OPERATION AND SHIFT SCHEDULING AT VARIOUS OIL TEMPERATURES.	2
3.3	DIAGNOSTIC TROUBLE CODES	2
3.3.1	HARD CODE	2
3.3.2	ONE TRIP FAILURES	3
3.3.3	INTERMITTENT CODE	3
3.3.4	STARTS SINCE SET COUNTER	3
3.3.5	TROUBLE CODE ERASURE	3
3.3.6	QUICK LEARN	3
3.3.7	CLUTCH VOLUMES	4
3.3.8	EATX DTC EVENT DATA	4
3.3.9	ELECTRONIC PINION FACTOR (IF APPLICABLE)	4
3.4	USING THE DRBIII®	5
3.5	DRBIII® ERROR MESSAGES	5
3.5.1	DRBIII® DOES NOT POWER UP (BLANK SCREEN)	5
3.5.2	DISPLAY IS NOT VISIBLE	5
3.5.3	SOME DISPLAY ITEMS READ "----"	5
3.6	TRANSMISSION SIMULATOR (MILLER TOOL # 8333) AND FWD ADAPTER (MILLER TOOL #8333-1A)	5
4.0	DISCLAIMERS, SAFETY, AND WARNINGS	6
4.1	DISCLAIMERS	6
4.2	SAFETY	6
4.2.1	TECHNICIAN SAFETY INFORMATION	6
4.2.2	VEHICLE PREPARATION FOR TESTING	6
4.2.3	SERVICING SUB-ASSEMBLIES	6
4.2.4	DRBIII® SAFETY INFORMATION	6
4.3	WARNINGS	7
4.3.1	VEHICLE DAMAGE WARNINGS	7
4.3.2	ROAD TESTING A COMPLAINT VEHICLE	7
4.3.3	ELECTRONIC PINION FACTOR WARNINGS (IF APPLICABLE)	8
4.3.4	BULLETINS AND RECALLS	8
5.0	REQUIRED TOOLS AND EQUIPMENT	8
6.0	GLOSSARY OF TERMS	8
6.1	ACRONYMS	8
6.2	DEFINITIONS	9
7.0	DIAGNOSTIC INFORMATION AND PROCEDURES	11

TABLE OF CONTENTS - Continued

COMMUNICATION

*NO RESPONSE FROM TRANSMISSION CONTROL MODULE	12
---	----

TRANSMISSION - NGC

P0122-THROTTLE POSITION SENSOR/APPS LOW	15
P0123-THROTTLE POSITION SENSOR/APPS HIGH	17
P0124-THROTTLE POSITION SENSOR/APPS INTERMITTENT	19
P0218-HIGH TEMPERATURE OPERATION ACTIVATED	21
P0562-LOW BATTERY VOLTAGE	23
P0604-INTERNAL TCM	27
P0605-INTERNAL TCM	27
P0613-INTERNAL TCM	27
P0706-CHECK SHIFTER SIGNAL	28
P0711-TRANSMISSION TEMPERATURE SENSOR PERFORMANCE	36
P0712-TRANSMISSION TEMPERATURE SENSOR LOW	39
P0713-TRANSMISSION TEMPERATURE SENSOR HIGH	42
P0714-TRANSMISSION TEMPERATURE SENSOR INTERMITTENT	46
P0715-INPUT SPEED SENSOR ERROR	48
P0720-OUTPUT SPEED SENSOR ERROR	52
P0725-ENGINE SPEED SENSOR CIRCUIT	56
P0731-GEAR RATIO ERROR IN 1ST	58
P0732-GEAR RATIO ERROR IN 2ND	60
P0733-GEAR RATIO ERROR IN 3RD	63
P0734-GEAR RATIO ERROR IN 4TH	66
P0736-GEAR RATIO ERROR IN REVERSE	69
P0740-TCC OUT OF RANGE	71
P0750-LR SOLENOID CIRCUIT	73
P0755-2/4 SOLENOID CIRCUIT	77
P0760-OD SOLENOID CIRCUIT	81
P0765-UD SOLENOID CIRCUIT	85
P0841-LR PRESSURE SWITCH SENSE CIRCUIT	88
P0845-2/4 HYDRAULIC PRESSURE TEST FAILURE	92
P0846-2/4 PRESSURE SWITCH SENSE CIRCUIT	97
P0870-OD HYDRAULIC PRESSURE TEST FAILURE	101
P0871-OD PRESSURE SWITCH SENSE CIRCUIT	106
P0884-POWER UP AT SPEED	110
P0888-RELAY OUTPUT ALWAYS OFF	111
P0890-SWITCHED BATTERY	116
P0891-TRANSMISSION RLY ALWAYS ON	119
P0897-WORN OUT/BURNT TRANSAXLE FLUID	122
P0944-LOSS OF PRIME	124
P0952-AUTOSTICK INPUT CIRCUIT LOW	127
P0992-2-4/OD HYDRAULIC PRESSURE TEST FAILURE	130
P1652-SERIAL COMMUNICATION LINK MALFUNCTION	132
P1684-BATTERY WAS DISCONNECTED	134
P1687-NO COMMUNICATION WITH THE MIC	137
P1694-BUS COMMUNICATION WITH ENGINE MODULE	139
P1775-SOLENOID SWITCH VALVE LATCHED IN TCC POSITION	140
P1776-SOLENOID SWITCH VALVE LATCHED IN LR POSITION	144
P1790-FAULT IMMEDIATELY AFTER SHIFT	148
P1793-TRD LINK COMMUNICATION ERROR	149
P1794-SPEED SENSOR GROUND ERROR	150
P1797-MANUAL SHIFT OVERHEAT	152

TABLE OF CONTENTS - Continued

*CHECKING PARK/NEUTRAL SWITCH OPERATION	154
*NO MANUAL AUTOSTICK OPERATION	156
*PRNDL FAULT CLEARING PROCEDURE	158
*TRANSMISSION NOISY WITH NO DTC'S PRESENT	159
*TRANSMISSION SHIFTS EARLY WITH NO DTC'S	160
*TRANSMISSION SIMULATOR 8333 WILL NOT POWER UP	161
VERIFICATION TESTS	
VERIFICATION TESTS	162
8.0 COMPONENT LOCATIONS	163
8.1 AUTO STICK - IF EQUIPPED	163
8.2 PRESSURE PORT LOCATIONS	163
8.3 TRANSMISSION COMPONENT LOCATIONS	163
8.4 POWERTRAIN COMPONENT LOCATION	164
9.0 CONNECTOR PINOUTS	165
AUTOSTICK SWITCH - BLACK 4 WAY	165
DATA LINK CONNECTOR - BLACK 16 WAY	165
FUSES (IPM)	167
TRANSMISSION CONTROL RELAY	167
POWERTRAIN CONTROL MODULE C1 - BLACK/BLACK 38 WAY	168
POWERTRAIN CONTROL MODULE C2 - BLACK/ORANGE 38 WAY	169
POWERTRAIN CONTROL MODULE C3 - BLACK/WHITE 38 WAY	170
POWERTRAIN CONTROL MODULE C4 - BLACK/GREEN 38 WAY	171
SPEED SENSOR-INPUT - GRAY 2 WAY	171
SPEED SENSOR-OUTPUT - GRAY 2 WAY	172
TRANSMISSION RANGE SENSOR - DK. GRAY 10 WAY	172
TRANSMISSION SOLENOID/PRESSURE SWITCH ASSEMBLY - BLACK 8 WAY ..	172
10.0 SCHEMATIC DIAGRAMS	173
11.0 CHARTS AND GRAPHS	175

1.0 INTRODUCTION

NOTE: NGC CONTROLLER

The 2004 model year CS vehicles will integrate the Transmission Control Module and Powertrain Control Module into a single control module. This new module is the Next Generation Controller for DaimlerChrysler and will be referred to as the Powertrain Control Module (PCM).

Some of the changes you will see are several new Diagnostics Trouble Codes and supporting diagnostic procedures which reflect the new combined module technology. The PCM will have four color coded connectors, C1 through C4, (C1-BLK, C2-GRAY, C3-WHITE, C4-GREEN), each PCM connector will have 38 pins. Two new tools are used for probing and repairing the new PCM connectors. Miller tool #3638, and Miller tool #8815. Miller tool #3638 is designed to release the pins from the PCM harness connectors. You must use the Miller tool #3638 to release the harness connector terminals or harness connector or terminal damage will occur. Miller tool #8815 was designed for probing the PCM harness connectors. You must use Miller tool #8815 for probing the PCM terminals or damage to the terminal will occur resulting in a poor terminal to pin connection. There are also new Verification tests and module replacement procedures for the new PCM.

The procedures contained in this manual include all of the specifications, instructions, and graphics needed to diagnose 41TE (NGC) Electronic Automatic Transmission problems. The diagnostics in this manual are based on the failure condition or symptom being present at the time of diagnosis.

When repairs are required, refer to the appropriate volume of the service manual for the proper removal and repair procedure.

Diagnostic procedures change every year. New diagnostic systems may be added and/or carryover systems may be enhanced. READ THIS MANUAL BEFORE TRYING TO DIAGNOSE A VEHICLE TROUBLE CODE. It is recommended that you review the entire manual to become familiar with all new and changed diagnostic procedures.

This book reflects many suggested changes from readers of past issues. After using this book, if you have any comments or recommendations, please fill out the form at the back of the book and mail it back to us.

1.1 SYSTEM COVERAGE

The diagnostic procedure manual covers all 2004 CS vehicles equipped with a 41TE transaxle.

1.2 SIX -STEP TROUBLESHOOTING PROCEDURE

Diagnosis of the 41TE Electronic transaxle is done in six basic steps:

- verification of complaint
- verification of any related symptoms
- symptom analysis
- problem isolation
- repair of isolated problem
- verification of proper operation

2.0 IDENTIFICATION OF SYSTEM

The 41TE Transmission family can be identified through a visual inspection. Confirm the presence of a Solenoid/Pressure Switch Assembly, Transmission Range Sensor, Input Speed Sensor and Output Speed Sensor all located on the same side of the transmission case. Refer to the Service Information for transmission ID tag descriptions.

3.0 SYSTEM DESCRIPTION AND FUNCTIONAL OPERATION

3.1 GENERAL DESCRIPTION

The 41TE electronic transaxle is a conventional transaxle in that it uses hydraulically applied clutches to shift a planetary gear train. However, the electronic control system replaces many of the mechanical and hydraulic components used in conventional transmission valve bodies.

3.2 FUNCTIONAL OPERATION

The 41TE electronic transaxle has a fully adaptive control system. The system performs its functions based on continuous real-time sensor feedback information. The control system automatically adapts to changes in engine performance and friction element variations to provide consistent shift quality. The control system ensures that clutch operation during upshifting and downshifting is more responsive without increased harshness.

The control module continuously checks for electrical problems, mechanical problems, and some hydraulic problems. When a problem is sensed, the control module stores a diagnostic trouble code.

GENERAL INFORMATION

Some of these codes cause the transaxle to go into Limp-in or default mode. While in this mode, electrical power is removed from the transaxle, de-energizing the transmission control relay, and solenoid pack. When this happens, the only transaxle mechanical functions are:

- Park and Neutral
- Reverse
- Second Gear

No upshifts or downshifts are possible. The position of the manual valve alone allows the three ranges that are available. Although vehicle performance is seriously degraded while in this mode, it allows the owner to drive the vehicle in for service.

Once the DRBIII® is in the Transmission portion of the diagnostic program, it constantly monitors the control module to see if the system is in Limp-in mode. If the transaxle is in Limp-in mode, the DRBIII® will flash the red LED.

3.2.1 AUTOSTICK FEATURE (IF EQUIPPED)

This feature allows the driver to manually shift the transaxle when the shift lever is moved to the AutoStick position. When in AutoStick mode, the instrument cluster displays the current gear.

3.2.2 TRANSMISSION OPERATION AND SHIFT SCHEDULING AT VARIOUS OIL TEMPERATURES.

The transmission covered in this manual has unique shift schedules depending on the temperature of the transmission oil. The shift schedule is modified to extend the life of the transmission while operating under extreme conditions.

The oil temperature is measured with a Temperature Sensor on the 41TE transmission. The Temperature Sensor is an integral component of the Transmission Range Sensor (TRS). If the Temperature Sensor is faulty, the transmission will default to a calculated oil temperature. Oil temperature will then be calculated through a complex heat transfer equation using engine coolant temperature, battery/ambient temperature, and engine off time. These inputs are received from the PCI bus periodically and used to initialize the oil temperature at start up. Once the engine is started, the control module updates the transmission oil temperature based on torque converter slip speed, vehicle speed, gear, and engine coolant temperature to determine an estimated oil temperature during vehicle operation. Vehicles using calculated oil temperature, are reasonably accurate, during normal operation. However, if a transmission is overfilled, a transmission oil cooler becomes restricted, or if a customer drives aggressively in low gear, the calcu-

lated oil temperature will be inaccurate. Consequently the shift schedule selected may be inappropriate for the current conditions.

3.3 DIAGNOSTIC TROUBLE CODES

Diagnostic trouble codes (DTC's) are codes stored by the PCM (NGC) or TCM (EATX) depending on application and help diagnose Transmission problems. They are viewed using the DRBIII® scan tool.

Always begin by performing a visual inspection of the wiring, connectors, cooler lines and the transmission. Any obvious wiring problems or leaks should be repaired prior to performing any diagnostic test procedures. Some engine driveability problems can be misinterpreted as a transmission problem. Ensure that the engine is running properly and no engine DTC's are present that could cause a transmission complaint.

If there is a bus communication problem, trouble codes will not be accessible until the bus problem is fixed. The DRBIII® will display an appropriate message.

Each diagnostic trouble code is diagnosed by following a specific testing sequence. The diagnostic test procedures contain step-by-step instructions for determining the cause of a transmission diagnostic trouble code. Possible sources of the code are checked and eliminated one by one. It is not necessary to perform all of the tests in this book to diagnose an individual code. These tests are based on the problem being present at the time that the test is run.

All testing should be done with a fully charged battery.

If the control module records a DTC that will adversely affect vehicle emissions, it will request (via the communication bus) that the PCM illuminate the Malfunction Indicator Lamp (MIL). Although these DTC's will be stored immediately as a 1 trip failure, it may take up to five minutes of accumulated trouble confirmation set the DTC and illuminate the MIL. Three consecutive successful OBDII (EURO STAGE III OBD) trips or clearing the DTC's with a diagnostic tool (DRBIII® or equivalent) is required to extinguish the MIL. When the Transmission Control system requests that the PCM illuminate the MIL, the PCM sets a DTC P0700 (\$89) to alert the technician that there are DTC's in the Transmission Control System. You must also erase the DTC P0700 in the PCM, in order to extinguish the MIL.

3.3.1 HARD CODE

Any Diagnostic Trouble Code (DTC) that is set whenever the system or component is monitored is a HARD code. This means that the problem is there

every time the Transmission Control System checks that system or component. Some codes will set immediately at start up and others will require a road test under specific conditions. It must be determined if a code is repeatable (Hard) or intermittent before attempting diagnosis.

3.3.2 ONE TRIP FAILURES

A One Trip Failure, when read from the Transmission Control System, is a hard OBDII (EURO STAGE III OBD) code that has not matured for the full 5 minutes to a hard fault. This applies to codes that will only set after 5 minutes of substituted gear operation.

3.3.3 INTERMITTENT CODE

A diagnostic trouble code that is not there every time the Transmission Control System checks the circuit or function is an intermittent code. Some intermittent codes are caused by wiring or connector problems. However intermittent gear ratio codes are usually caused by intermittent hydraulic seal leakage in the clutch and/or accumulator circuits. Problems that come and go like this are the most difficult to diagnose, they must be looked for under the specific conditions that cause them.

3.3.4 STARTS SINCE SET COUNTER

For the most recent code, the Starts Since Set counter counts the number of times the vehicle has started since it was last set. The counter will count up to 255 starts. Note that this code only applies to the last or most recent code set.

When there are no diagnostic trouble codes stored in memory, the DRBIII® will display NO DTC'S PRESENT and the reset counter will show "STARTS SINCE CLEAR = XXX"

The number of starts helps determine if the diagnostic trouble code is hard or intermittent. - If the count is less than 3, the code is usually a hard code. - If the count is greater than 3, it is considered an intermittent code. This means that the engine has been started most of the time without the code recurring.

3.3.5 TROUBLE CODE ERASURE

A Diagnostic trouble code will be cleared from control module memory if it has not reset for 40 warm-up cycles.

A warm-up cycle is defined as sufficient vehicle operation such that the coolant temperature has risen by at least 22°C (40° F) from engine starting and reaches a minimum temperature of 71°C (160° F).

A warm-up cycle is defined as sufficient vehicle operation such that the coolant temperature has risen by at least 22°C (40° F) from engine starting

and reaches a minimum temperature of 71°C (160° F). The Malfunction Indicator Lamp (MIL) will turn off after 3 good trips or when the DTC's are cleared from the control module.

3.3.6 QUICK LEARN

A warm-up cycle is defined as sufficient vehicle operation such that the coolant temperature has risen by at least 22°C (40° F) from engine starting and reaches a minimum temperature of 71°C (160° F).

The Quick Learn function customizes adaptive parameters of the control module to the transmission characteristics of a vehicle. This gives the customer improved "as received" shift quality compared to the initial parameters stored in the control module.

Notes about Quick Learn Features

The nature of the Quick Learn function requires that certain features must be taken into consideration.

- > Quick Learn should generally not be used as a repair procedure unless directed by a repair or diagnostic procedure. If the transmission system is exhibiting a problem that you think is caused by an invalid CVI, you should try to relearn the value by performing the appropriate driving maneuvers. In most cases, if Quick Learn makes a vehicle shift better, the vehicle will return with the same problem.
- > Before performing Quick Learn, it is imperative that the vehicle be shifted into OD with the engine running and the oil level set to the correct level. This step will purge air from the clutch circuits to prevent erroneous clutch volume values, which could cause poor initial shift quality.
 - > If a new control module is installed on a vehicle with a HOT engine, Quick Learn will cause the control module to report a cold calculated oil temperature. This requires monitoring the calculated oil temperature using the DRBIII®. If the temperature is below 15° C (60° F), the transmission must be run at idle or driven in gear until the temperature goes above 15 C (60° F). If the temperature is above 93C (200° F), the transmission must cool to below 93 C (200° F).
- > First gear is engaged in overdrive after Quick Learn is completed. Place the vehicle in park after performing Quick Learn. The Quick Learn function should be performed:
 - Upon installation of a new service control module
 - After replacement or rebuild of internal transmission components or the torque converter

GENERAL INFORMATION

- If one or more of the clutch volumes indexes (CVI's) contain skewed readings because of abnormal conditions.

To perform the Quick Learn procedure, the following conditions must be met.

- It is imperative that the vehicle be shifted into OD with the engine running and the oil level set to the correct level. This step will purge the air in the clutch circuits to prevent erroneous clutch volume values, which could cause poor initial shift quality.
- Place the selector lever in neutral.
- The brakes must be applied.
- The engine must be idling.
- The throttle angle (TP sensor) must be less than 3 degrees.
- The shift lever position must stay in neutral until prompted to shift into OD.
- The shift lever must stay in OD after the "Shift to Overdrive" prompt until the DRBIII® indicates the procedure is complete.
- The oil temperature must be between 15 C (60°) and 93 C (200° F).

NOTE: The above conditions must be maintained during the procedure to keep the procedure from being aborted.

The Quick Learn procedure is performed with the DRBIII® by selecting "Transmission" system then "Miscellaneous" functions, then "Quick Learn". Follow the procedure instructions displayed on the DRBIII®.

3.3.7 CLUTCH VOLUMES

Theory of Operation: The volumes of the transmission fluid needed to apply the friction elements are continuously monitored and learned for adaptive controls. As the clutch friction material wears, the volume of fluid needed to apply the clutch increases. The following are typical clutch volumes, the clutches may be damaged if the volumes are greater or less than the specified below:

The LR clutch volume is updated when doing a 2-1 or 3-1 coast down shift. The transmission temperature must be between 21-49 C (70-120° F). The clutch volume should be between 35 and 83.

The 2/4 clutch volume is updated when doing a 1-2 shift. The transmission temperature must be above 43 C (110° F). The clutch volume should be between 20 and 77.

The OD clutch volume is updated when doing a 2-3 shift. The transmission temperature must be above 43 C (110° F). The clutch volume should be between 40 and 150.

The UD clutch volume is updated when doing a 4-3 or 4-2 shift. The transmission temperature must be above 43 C (110° F). The clutch volume should be between 24 and 70.

Transmission Effects: These CVIs that are out of range are usually set with other DTC's, which indicates an internal transmission problem.

Possible Causes:

- > Clutch pack clearance out of spec
- > Snap ring out of position or broken
- > Broken return spring
- > Hydraulic leak into clutch circuit with near-zero volume

3.3.8 EATX DTC EVENT DATA

EATX DTC EVENT DATA can be used as a diagnostic aid when experiencing Electronic Transmissions with intermittent problems. When a Diagnostic Trouble Code (DTC) is set, the vehicles transmission inputs are stored in the controller memory and are retrievable with the DRBIII®. This information can be helpful when a DTC can not be duplicated.

The EATX DTC EVENT DATA is located in the DRBIII®, under the Transmission system menu, in the sub-screen Miscellaneous. It is a good practice to document the EATX DTC EVENT DATA before beginning any diagnostic or service procedure.

A thorough understanding of how the transmission works is beneficial in order to interpret the data correctly. These skills are necessary in order to avoid an incorrect diagnosis.

A MASTERTech video and reference book was produced in January 2002 that explains many of the features of the EATX DTC EVENT DATA with several examples on how to interpret the information and suggested training material to help understand all the specifics.

EATX DTC EVENT DATA can only be erased by:

1. Disconnecting the battery.
2. Performing a DRBIII® QUICK LEARN procedure.
3. Reprogramming the NGC/EATX controller.

Erasing Transmission DTCs does not clear the EATX DTC EVENT DATA.

3.3.9 ELECTRONIC PINION FACTOR (IF APPLICABLE)

The transmission output speed signal supplies distance pulses to the control module, which are used to calculate speed and mileage. A pinion factor is stored in the control module in order to provide the appropriate distance pulses for other vehicle

systems. The pinion factor is programmed into the control module at the assembly plant.

Using the following steps, the pinion factor can be checked and/or reset using the DRBIII®:

1. Select Transmission system, then Miscellaneous functions, then Pinion Factor. The DRBIII® will display the current tire size.
2. If the tire size is incorrect, press the Enter key and then select the correct size.
3. Press the Page Back key to exit the reset procedure.

Notes About Electronic Pinion Factor Features

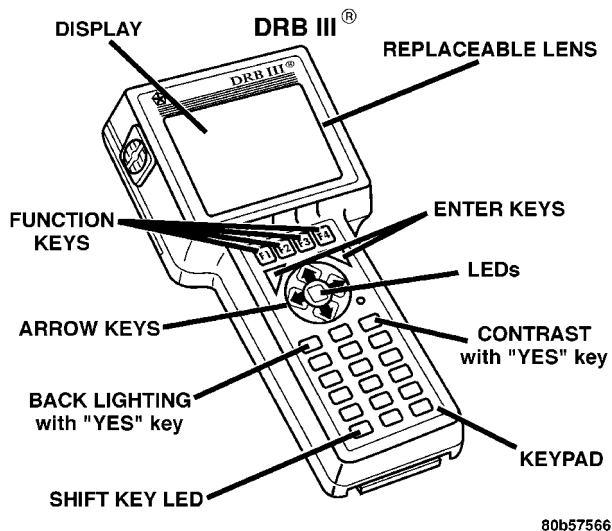
The nature of the electronic pinion factor requires that certain features must be taken into consideration.

- > If no pinion factor is stored in an installed control module, the vehicle speedometer will not operate, engine speed will be limited to 2300 RPM, and catalyst damage may occur.
- > Selecting a wrong tire size will cause the speedometer to be inaccurate and will also cause any speed related features to operate improperly.

Note: After replacing the PCM, you must reprogram pinion factor

3.4 USING THE DRBIII®

Refer to the DRBIII® users guide for instructions and assistance with reading trouble codes, erasing trouble codes, and other DRBIII® functions.



3.5 DRBIII® ERROR MESSAGES

Under normal operation, the DRBIII® will display one of only two error messages:

- User-Requested WARM Boot
- User-Requested COLD Boot

If the DRBIII® should display any other error message, record the entire display and call the S.T.A.R. Center.

3.5.1 DRBIII® DOES NOT POWER UP (BLANK SCREEN)

If the LED's do not light or no sound is emitted at start up, check for loose cable connections or a bad cable. Check the vehicle battery voltage. A minimum of 11 volts is required to adequately power the DRBIII®.

If all connections are proper between the DRBIII® and the vehicle or other devices, and the vehicle battery is fully charged, an inoperative DRBIII® may be the result of faulty cable or vehicle wiring. For a blank screen, refer to the appropriate Body Diagnostic manual.

3.5.2 DISPLAY IS NOT VISIBLE

Low temperatures will affect the visibility of the display. Adjust the contrast to compensate for this condition.

3.5.3 SOME DISPLAY ITEMS READ "---"

This is caused by the scrolling the DRBIII® display a single line up or down. The line which was scrolled onto the screen might read "---". Use the page down or page up function to display the information.

3.6 TRANSMISSION SIMULATOR (MILLER TOOL # 8333) AND FWD ADAPTER (MILLER TOOL #8333-1A)

Note: Remove the starter Relay when using the transmission simulator

- *Failure to remove the Starter Relay can cause a PCM - No Response condition.
- *The removal of the Starter Relay will also prevent the engine from starting in gear.
- *The Transmission Simulator will not accurately diagnose intermittent faults.

The transmission simulator, simply put, is an electronic device that simulates the electronic functions of any EATX or NGC controlled transmission (41TE, 41TE, 45RFE, and 545RFE). The basic function of the simulator is to aid the technician in determining if an internal transmission problem exists or if the problem resides in the vehicle wiring or control module. It is only useful for electrical problems. It will not aid in the diagnosis of a failed mechanical component, but it can tell you if the control module and wiring are working properly and that the problem is internal to the transmission.

GENERAL INFORMATION

The ignition switch should be in the lock position before attempting to install the simulator. Follow all instructions included with the simulator. If the feedback from the simulator is in doubt, you can verify the simulator's operation by installing it on a known good vehicle. A "known good vehicle" would be defined as a vehicle that does not set any DTC's and drives and shifts as expected.

One important point to remember is that the Simulator receives power from the Trans Relay Output circuit. If the transmission system is in Limp-in (Relay open), the simulator will not operate. This is not really an indication of a problem, but an additional symptom. If the simulator does not power up ("P" led lit), this is an indication that the problem is still present with the simulator hooked up. This indicates that the problem is in the wiring or control module and not the transmission.

Miller Tool # 8333-1A consists of the adapter cables and overlay necessary to adapt the simulator to TE/AE/RLE/LE transmissions.

4.0 DISCLAIMERS, SAFETY, AND WARNINGS

4.1 DISCLAIMERS

All information, illustrations, and specifications contained in this manual are based on the latest information available at the time of publication. The right is reserved to make changes at any time without notice.

4.2 SAFETY

4.2.1 TECHNICIAN SAFETY INFORMATION

WARNING: ENGINES PRODUCE CARBON MONOXIDE THAT IS ODORLESS, CAUSES SLOWER REACTION TIME, AND CAN LEAD TO SERIOUS INJURY. WHEN THE ENGINE IS OPERATING KEEP SERVICE AREAS WELL VENTILATED OR ATTACH THE VEHICLE EXHAUST SYSTEM TO THE SHOP EXHAUST REMOVAL SYSTEM.

Set the parking brake and block the wheels before testing or repairing the vehicle. It is especially important to block the wheels on front-wheel drive vehicles: the parking brake does not hold the drive wheels.

Some operations in this manual require that hydraulic tubes, hoses, and fittings, disconnected for inspection or testing purposes. These systems, when fully charged, contain fluid at high pressure.

Before disconnecting any hydraulic tubes, hoses, and fittings, be sure that the system is fully depressurized. When servicing a vehicle, always wear eye protection, and remove any metal jewelry such as watchbands or bracelets that might make an inadvertent electrical contact.

When diagnosing a Transmission system problem, it is important to follow approved procedures where applicable. These procedures can be found in the service information. Following these procedures is very important to the safety of individuals performing diagnostic tests.

4.2.2 VEHICLE PREPARATION FOR TESTING

Make sure the vehicle being tested has a fully charged battery. If it does not, false diagnostic DTC's or error messages may occur. It is extremely important that accurate shift lever position data is available to the control module. The accuracy of any DTC found in memory is doubtful unless the Shift Lever Test, performed on the DRBIII® Scan Tool, passes without failure.

4.2.3 SERVICING SUB-ASSEMBLIES

Some components of the Transmission system are to be serviced as an assembly only. Attempting to remove or repair certain system sub-components may result in personal injury and/or improper system operation. Only those components with approved repair and installation procedures in the service information should be serviced.

4.2.4 DRBIII® SAFETY INFORMATION

WARNING: EXCEEDING THE LIMITS OF THE DRBIII® MULTIMETER IS DANGEROUS. IT CAN EXPOSE YOU TO SERIOUS OR POSSIBLY FATAL INJURY. CAREFULLY READ AND UNDERSTAND THE CAUTIONS AND THE SPECIFICATION LIMITS.

- Follow the vehicle manufacturer's service specifications at all times.
- Do not use the DRBIII® if it has been damaged.
- Do not use the test leads if the insulation is damaged or if metal is exposed.
- To avoid electrical shock, do not touch the test leads, tips or the circuit being tested.
- Choose the proper range and function for the measurement. Do not try voltage or current measurements that may exceed the rated capacity.

- Do not exceed the limits shown in the table.

FUNCTION	INPUT LIMIT
Volts	0-500 volts peak AC 0-500 volts DC
Ohms (resistance)*	0-1.12 megohms
Frequency measured Frequency generated	0-10 khz
Temperature	-58-1100°F -50-600C
*Ohms cannot be measured if voltage is present. Ohms can be measured only in a non-powered circuit.	

- Voltage between any terminal and ground must not exceed 500v DC or 500v peak AC.
- Use caution when measured voltage above 25v DC or 25v AC.
- The circuit being tested must be protected by a 10A fuse or circuit breaker.
- Use the low current shunt to measure circuits up to 10A. Use the high current clamp to measure circuits exceeding 10A.
- When testing for the presence of voltage or current, make sure the meter is functioning correctly. Take a reading of a known voltage or current before accepting a zero reading.
- When measuring current, connect the meter in series with the load.
- Disconnect the live test lead before disconnecting the common test lead.
- When using the meter function, keep the DRBIII® away from spark plug or coil wires to avoid measuring error from outside interference.

4.3 WARNINGS

4.3.1 VEHICLE DAMAGE WARNINGS

Before disconnecting any control module, make sure the ignition switch is in the "lock" position. Failure to do so could damage the module.

When testing voltage or continuity at any control module, use the terminal side (not the wire end) of the connector. Do not probe a wire through the insulation: this will damage the wire and eventually cause the wire to fail because of corrosion.

Be careful when performing electrical tests so as to prevent accidental shorting of terminals. Such mistakes can damage fuses or components. Also, a second DTC could be set, making diagnosis of the original problem more difficult.

When replacing a blown fuse, it is important to use only a fuse having the correct amperage rating. The use of a fuse with a rating other than indicated

may result in a dangerous electrical system overload. If a properly rated fuse continues to blow, it indicates a problem in the circuit that must be corrected.

4.3.2 ROAD TESTING A COMPLAINT VEHICLE

Some complaints will require a test drive as part of the repair verification procedure. The purpose of the test drive is to try to duplicate the diagnostic DTC or symptom condition.

CAUTION: BEFORE ROAD TESTING A VEHICLE, BE SURE THAT ALL COMPONENTS ARE REASSEMBLED. DURING THE TEST DRIVE, DO NOT TRY TO READ DRBIII® SCREEN WHILE IN MOTION. DO NOT HANG THE DRBIII® FROM THE REAR VIEW MIRROR OR OPERATE IT YOURSELF. HAVE AN ASSISTANT AVAILABLE TO OPERATE THE DRBIII®.

Road testing is an essential step in the diagnostic process that must not be overlooked. Along with the diagnostic information obtained from the DRBIII® Scan Tool and the original customer concern, the road test helps verify the problem was current and any repairs performed, fixed the vehicle correctly. Always operate and observe the vehicle under actual driving conditions.

Just as important as the road test is, there are preliminary inspections that should be performed prior to the road test. Always check the fluid level and condition before taking the vehicle on a road test. Determine if an incorrect fluid type is being used, improper fluid will result in erratic transmission operation.

Some of the conditions of incorrect fluid level are as follows:

- Delayed engagement
- Poor shifting or erratic shifting
- Excessive noise
- Overheating

The next step is to verify that the shift linkage is correctly adjusted. If the shifter is incorrectly adjusted, a number of complaints can result.

The control module monitors the Shift Lever Position (SLP) Sensor continuously. If the shifter is incorrectly adjusted, the control module will sense a shift lever position that is not correct for the gear chosen by the driver. This may cause a DTC to be set.

The following complaints may also be the result of an incorrectly adjusted shifter:

- Delayed clutch engagement
- Erratic shifts

GENERAL INFORMATION

- Vehicle will drive in neutral
- Engine will not crank in park or neutral
- Shifter will be able to be moved without the key in the ignition
- Not able to remove the ignition key in park
- Parking pawl will not engage properly

The shifter should also be adjusted when replacing the Transmission, repairing the valve body, or when repairing any component between the shift lever and the Transmission.

Some questions to ask yourself when performing the road test are as follows:

- Is the complaint or concern what you think the problem is, based on the customers description?
- Is the Transmission operating normally, or is there a real problem?
- When does the problem occur?
- Is the problem only in one gear range?
- What temperature does the problem occur?
- Does the vehicle have to sit over night for the problem to occur?
- Does the transmission go into Limp-in mode?

4.3.3 ELECTRONIC PINION FACTOR WARNINGS (IF APPLICABLE)

The pinion factor must be set when replacing the control module. Note: The pinion factor is a fixed number and cannot be changed or updated in some vehicle applications. If the pinion factor is not set or incorrectly set, any speed related functions will not operate correctly i.e. speedometer, speed control, rolling door locks, other control modules will be affected that depend on speed information.

4.4.4 BULLETINS AND RECALLS

Always perform all Safety Recalls and Technical Service Bulletins that are applicable to the problem.

5.0 REQUIRED TOOLS AND EQUIPMENT

- > DRBIII® (diagnostic read-out box) - Must be at latest release level.
- > Transmission Simulator (Miller # 8333)
- > Adapter harness/ panel overlay kit for Transmission Simulator (Miller # 8333-1A) for FWD vehicles.
- > Jumper wires
- > Test Light (minimum of 25 ohms of resistance)
- > Ohmmeter

- > Voltmeter
- > Pressure gauge 0-2068 kPa (0-300 PSI)

6.0 GLOSSARY OF TERMS

6.1 ACRONYMS

BCM	Body Control Module
CKT	Circuit
CVI	Clutch Volume Index
DLC	Data Link Connector
DRBIII®	Diagnostic Readout Box
DTC	Diagnostic Trouble Code
EATX	Electronic Automatic Transaxle
EMCC	Electronically Modulated Converter Clutch
FCM	Front Control Module (part of the IPM system)
FEMCC	Full Electronically Modulated Converter Clutch
IOD	Ignition off-draw
IPM	Intelligent Power Module
IRT	Intelligent Recovery Timer
ISS	Input Speed Sensor
LED	Light Emitting Diode
LR	Low/reverse Clutch or Pressure Switch
LU	Lockup
MIC	Mechanical Instrument Cluster
MIL	Malfunction Indicator Lamp
NGC	Next Generation Controller
OBDII	On Board Diagnostics
OD	Overdrive Clutch or Pressure Switch
OSS	Output Speed Sensor
PCM	Powertrain Control Module
PEMCC	Partial Electronically Modulated Converter Clutch
PLU	Partial Lockup
REV	Reverse Clutch

SLPK	Solenoid Pack
SSV	Solenoid Switch Valve
SW	Switch
TCC	Torque Converter Clutch
PCM	Combined PCM and Transmission Control Module
TP	Throttle Position
TRD	Torque Reduction
TRS	Transmission Range Sensor
UD	Underdrive Clutch
2/4	2nd and 4th gear Clutch or Pressure Switch

6.2 DEFINITIONS

OBDII (EURO STAGE III OBD) Trip - A vehicle start and drive cycle such that all once per trip diagnostic monitors have run.

Key Start - A vehicle start and run cycle of at least 20 seconds.

Warm-up Cycle - A vehicle start and run cycle such that the engine coolant must rise to at least 71 C (160&DRBIII® F) and must rise by at least 4.4 C (40° F) from initial start up. To count as a warm-up cycle, no DTC may occur during the cycle.

7.0
DIAGNOSTIC INFORMATION AND
PROCEDURES

Symptom:

***NO RESPONSE FROM TRANSMISSION CONTROL MODULE**

POSSIBLE CAUSES
NO RESPONSE FROM TRANSMISSION CONTROL MODULE IGNITION UNLOCK/RUN/START CIRCUIT OPEN FUSED B(+) CIRCUIT OPEN GROUND CIRCUIT(S) OPEN PCI BUS CIRCUIT OPEN POWERTRAIN CONTROL MODULE

TEST	ACTION	APPLICABILITY
1	Turn the ignition on. Note: As soon as one or more module communicates with the DRB, answer the question. With the DRB, attempt to communicate with the Instrument Cluster. With the DRB, attempt to communicate with the Airbag Control Module. Was the DRB able to I/D or establish communications with both of the modules? Yes → Go To 2 No → Refer to the Communications category and perform the appropriate symptom. Perform 41TE (NGC) TRANSMISSION VERIFICATION TEST - VER 1.	All
2	Turn the ignition off. Disconnect the PCM harness connectors. CAUTION: DO NOT PROBE THE PCM HARNESS CONNECTORS. PROBING THE PCM HARNESS CONNECTORS WILL DAMAGE THE PCM TERMINALS RESULTING IN POOR TERMINAL TO PIN CONNECTION. INSTALL MILLER SPECIAL TOOL #8815 TO PERFORM DIAGNOSIS. Turn the ignition on. Using a 12-volt test light connected to ground, probe the Ignition unlock/run/start circuit in the appropriate terminal of special tool #8815. NOTE: The test light must illuminate brightly. Compare the brightness to that of a direct connection to the battery. Is the test light illuminated? Yes → Go To 3 No → Repair the Ignition unlock/run/start circuit for an open. Refer to the wiring diagrams located in the Service Information. Perform 41TE (NGC) TRANSMISSION VERIFICATION TEST - VER 1.	All

***NO RESPONSE FROM TRANSMISSION CONTROL MODULE — Continued**

TEST	ACTION	APPLICABILITY
3	<p>Turn the ignition off. Disconnect the PCM harness connectors. CAUTION: DO NOT PROBE THE PCM HARNESS CONNECTORS. PROBING THE PCM HARNESS CONNECTORS WILL DAMAGE THE PCM TERMINALS RESULTING IN POOR TERMINAL TO PIN CONNECTION. INSTALL MILLER SPECIAL TOOL #8815 TO PERFORM DIAGNOSIS. Using a 12-volt test light connected to ground, probe the Fused B(+) circuit in the appropriate terminal of special tool #8815. NOTE: The test light must illuminate brightly. Compare the brightness to that of a direct connection to the battery. Is the test light illuminated?</p> <p>Yes → Go To 4</p> <p>No → Repair the Fused B(+) circuit for an open. Refer to the wiring diagrams located in the Service Information. Perform 41TE (NGC) TRANSMISSION VERIFICATION TEST - VER 1.</p>	All
4	<p>Turn the ignition off. Disconnect the PCM harness connectors. CAUTION: DO NOT PROBE THE PCM HARNESS CONNECTORS. PROBING THE PCM HARNESS CONNECTORS WILL DAMAGE THE PCM TERMINALS RESULTING IN POOR TERMINAL TO PIN CONNECTION. INSTALL MILLER SPECIAL TOOL #8815 TO PERFORM DIAGNOSIS. Using a 12-volt test light connected to 12-volts, probe each ground circuit in the appropriate terminal of special tool #8815. NOTE: The test light must illuminate brightly. Compare the brightness to that of a direct connection to the battery. Is the light illuminated at all ground circuits?</p> <p>Yes → Go To 5</p> <p>No → Repair the Ground circuit(s) for an open. Check the main ground connection to engine block and/or chassis. Refer to the wiring diagrams located in the Service Information. Perform 41TE (NGC) TRANSMISSION VERIFICATION TEST - VER 1.</p>	All

***NO RESPONSE FROM TRANSMISSION CONTROL MODULE — Continued**

TEST	ACTION	APPLICABILITY
5	<p>Note: Ensure there is PCI Bus communication with other modules on the vehicle before proceeding. If not, refer to the symptom list from the menu and repair as necessary.</p> <p>Disconnect the PCM harness connectors.</p> <p>CAUTION: DO NOT PROBE THE PCM HARNESS CONNECTORS. PROBING THE PCM HARNESS CONNECTORS WILL DAMAGE THE PCM TERMINALS RESULTING IN POOR TERMINAL TO PIN CONNECTION. INSTALL MILLER SPECIAL TOOL #8815 TO PERFORM DIAGNOSIS.</p> <p>Use Scope input cable CH7058, Cable to Probe adapter CH7062, and the red and black test probes.</p> <p>Connect the scope input cable to the channel one connector on the DRB. Attach the red and black leads and the cable to probe adapter to the scope input cable.</p> <p>With the DRBIII® select Pep Module Tools.</p> <p>Select lab scope.</p> <p>Select Live Data.</p> <p>Select 12 volt square wave.</p> <p>Press F2 for Scope.</p> <p>Press F2 and use the down arrow to set voltage range to 20 volts. Press F2 again when complete.</p> <p>Connect the Black lead to the chassis ground. Connect the Red lead to the PCI Bus circuit in the appropriate terminal of special tool #8815.</p> <p>Turn the ignition on.</p> <p>Observe the voltage display on the DRB Lab Scope.</p> <p>Does the voltage pulse from 0 to approximately 7.5 volts?</p> <p style="padding-left: 40px;">Yes → Go To 6</p> <p style="padding-left: 40px;">No → Repair the PCI Bus circuit for an open. Perform 41TE (NGC) TRANSMISSION VERIFICATION TEST - VER 1.</p>	All
6	<p>Using the schematics as a guide, inspect the wiring and connectors. Repair as necessary. Pay particular attention to all power and ground circuits.</p> <p>If there are no possible causes remaining, view repair.</p> <p style="padding-left: 40px;">Repair</p> <p style="padding-left: 80px;">Replace and program the Powertrain Control Module in accordance with the service information. WITH THE DRBIII® PERFORM QUICK LEARN AND REPROGRAM PINION FACTOR.</p> <p style="padding-left: 80px;">Perform 41TE (NGC) TRANSMISSION VERIFICATION TEST - VER 1.</p>	All

Symptom:

P0122-THROTTLE POSITION SENSOR/APPS LOW

When Monitored and Set Condition:

P0122-THROTTLE POSITION SENSOR/APPS LOW

When Monitored: Continuously with the ignition on and engine running.

Set Condition: This DTC will set if the monitored TPS voltage drops below .078 volts for the period of 0.48 seconds.

POSSIBLE CAUSES

RELATED TPS ENGINE DTC'S PRESENT
 POWERTRAIN CONTROL MODULE
 INTERMITTENT WIRING AND CONNECTORS

TEST	ACTION	APPLICABILITY
1	<p>NOTE: Low fluid level can be the cause of many transmission problems. If the fluid level is low locate and repair the leak then check and adjust the fluid level per the Service Information.</p> <p>NOTE: Always perform diagnostics with a fully charged battery to avoid false symptoms.</p> <p>With the DRBIII®, read Engine DTC's. Check and repair all Engine DTC's prior to performing any transmission symptom diagnostics.</p> <p>With the DRBIII®, read Transmission DTC's. Record all DTC's and 1 Trip Failures.</p> <p>NOTE: Diagnose 1 Trip Failures as a fully matured DTC.</p> <p>Using the wiring diagram/schematic as a guide, inspect the wiring and connectors. Repair as necessary.</p> <p>Perform the Shift Lever Position Test. If the test does not pass, refer to Symptom test for P0706 Check Shifter Signal.</p> <p>For Gear Ratio DTC's, check and record all CVI's.</p> <p>Most DTC's set on start up but some must be set by driving the vehicle such that all diagnostic monitors have run.</p> <p>NOTE: Verify flash level of Powertrain Control Module. Some problems are corrected by software upgrades to the Transmission and Engine software.</p> <p>NOTE: Check for applicable TSB's related to the problem.</p> <p>Perform this procedure prior to Symptom diagnosis.</p> <p>Continue Go To 2</p>	All
2	<p>With the DRBIII®, check Engine DTC's, this includes all one trip failures. Are there any Engine TPS DTCs present?</p> <p>Yes → Refer to the Powertrain category and perform the appropriate symptom. Perform 41TE (NGC) TRANSMISSION VERIFICATION TEST - VER 1.</p> <p>No → Go To 3</p>	All

P0122-THROTTLE POSITION SENSOR/APPS LOW — Continued

TEST	ACTION	APPLICABILITY
3	<p>With the DRBIII®, record the EATX EVENT DATA to help identify the conditions in which the DTC was set. With the DRBIII®, erase Transmission DTCs. NOTE: To erase EATX EVENT DATA information, a BATTERY DISCONNECT must be performed. Performing a BATTERY DISCONNECT will reset all learned Transmission values to controller defaults which may lead to erratic shift schedules. Drive the vehicle and try to duplicate the conditions in which the DTC was reported by the EATX EVENT DATA. With the DRBIII®, read Transmission DTCs. Did the DTC P0122 THROTTLE POSITION SENSOR LOW, reset?</p> <p style="padding-left: 40px;">Yes → Go To 4</p> <p style="padding-left: 40px;">No → Go To 5</p>	All
4	<p>NOTE: Due to the integration of the Powertrain and Transmission Control Modules, bus communication between the modules is internal. Using the schematics as a guide, inspect the wiring and connectors. Repair as necessary. Pay particular attention to all power and ground circuits. If there are no possible causes remaining, view repair.</p> <p style="padding-left: 40px;">Repair</p> <p style="padding-left: 80px;">Replace the Powertrain Control Module per the Service Information. WITH THE DRBIII® PERFORM QUICK LEARN. Perform 41TE (NGC) TRANSMISSION VERIFICATION TEST - VER 1.</p>	All
5	<p>The conditions necessary to set this DTC are not present at this time. Using the schematics as a guide, inspect the wiring and connectors specific to this circuit. Wiggle the wires while checking for shorted and open circuits. Pay particular attention to the TPS signal and sensor ground circuits. With the DRBIII®, check the EATX EVENT DATA to help identify the conditions in which the DTC was set. Were there any problems found?</p> <p style="padding-left: 40px;">Yes → Repair as necessary. Perform 41TE (NGC) TRANSMISSION VERIFICATION TEST - VER 1.</p> <p style="padding-left: 40px;">No → Test Complete.</p>	All

Symptom:

P0123-THROTTLE POSITION SENSOR/APPS HIGH

When Monitored and Set Condition:

P0123-THROTTLE POSITION SENSOR/APPS HIGH

When Monitored: Continuously with the ignition on and engine running.

Set Condition: This DTC will set if the monitored TPS voltage rises above 4.94 volts for the period of 0.48 seconds.

POSSIBLE CAUSES

RELATED TPS ENGINE DTC'S PRESENT
 POWERTRAIN CONTROL MODULE
 INTERMITTENT WIRING AND CONNECTORS

TEST	ACTION	APPLICABILITY
1	<p>NOTE: Low fluid level can be the cause of many transmission problems. If the fluid level is low locate and repair the leak then check and adjust the fluid level per the Service Information.</p> <p>NOTE: Always perform diagnostics with a fully charged battery to avoid false symptoms.</p> <p>With the DRBIII®, read Engine DTC's. Check and repair all Engine DTC's prior to performing any transmission symptom diagnostics.</p> <p>With the DRBIII®, read Transmission DTC's. Record all DTC's and 1 Trip Failures.</p> <p>NOTE: Diagnose 1 Trip Failures as a fully matured DTC.</p> <p>Using the wiring diagram/schematic as a guide, inspect the wiring and connectors. Repair as necessary.</p> <p>Perform the Shift Lever Position Test. If the test does not pass, refer to Symptom test for P0706 Check Shifter Signal.</p> <p>For Gear Ratio DTC's, check and record all CVI's.</p> <p>Most DTC's set on start up but some must be set by driving the vehicle such that all diagnostic monitors have run.</p> <p>NOTE: Verify flash level of Powertrain Control Module. Some problems are corrected by software upgrades to the Transmission and Engine software.</p> <p>NOTE: Check for applicable TSB's related to the problem.</p> <p>Perform this procedure prior to Symptom diagnosis.</p> <p>Continue Go To 2</p>	All
2	<p>With the DRBIII®, check Engine DTC's, this includes all one trip failures. Are there any Engine TPS DTCs present?</p> <p>Yes → Refer to the Powertrain category and perform the appropriate symptom. Perform 41TE (NGC) TRANSMISSION VERIFICATION TEST - VER 1.</p> <p>No → Go To 3</p>	All

P0123-THROTTLE POSITION SENSOR/APPS HIGH — Continued

TEST	ACTION	APPLICABILITY
3	<p>With the DRBIII®, record the EATX EVENT DATA to help identify the conditions in which the DTC was set. With the DRBIII®, erase Transmission DTCs. NOTE: To erase EATX EVENT DATA information, a BATTERY DISCONNECT must be performed. Performing a BATTERY DISCONNECT will reset all learned Transmission values to controller defaults which may lead to erratic shift schedules. Drive the vehicle and try to duplicate the conditions in which the DTC was reported by the EATX EVENT DATA. With the DRBIII®, read Transmission DTCs. Did the DTC P0123 THROTTLE POSITION SENSOR HIGH, reset?</p> <p style="padding-left: 40px;">Yes → Go To 4</p> <p style="padding-left: 40px;">No → Go To 5</p>	All
4	<p>NOTE: Due to the integration of the Powertrain and Transmission Control Modules, communication between the modules is internal. Using the schematics as a guide, inspect the wiring and connectors. Repair as necessary. Pay particular attention to all power and ground circuits. If there are no possible causes remaining, view repair.</p> <p style="padding-left: 40px;">Repair</p> <p style="padding-left: 80px;">Replace the Powertrain Control Module per the Service Information. WITH THE DRBIII® PERFORM QUICK LEARN. Perform 41TE (NGC) TRANSMISSION VERIFICATION TEST - VER 1.</p>	All
5	<p>The conditions necessary to set this DTC are not present at this time. Using the schematics as a guide, inspect the wiring and connectors specific to this circuit. Wiggle the wires while checking for shorted and open circuits. Pay particular attention to the TPS signal and sensor ground circuits. With the DRBIII®, check the EATX EVENT DATA to help identify the conditions in which the DTC was set. Were there any problems found?</p> <p style="padding-left: 40px;">Yes → Repair as necessary. Perform 41TE (NGC) TRANSMISSION VERIFICATION TEST - VER 1.</p> <p style="padding-left: 40px;">No → Test Complete.</p>	All

Symptom:

P0124-THROTTLE POSITION SENSOR/APPS INTERMITTENT

When Monitored and Set Condition:

P0124-THROTTLE POSITION SENSOR/APPS INTERMITTENT

When Monitored: Continuously with the ignition on and engine running.

Set Condition: This DTC will set if the monitored TPS throttle angle between the angles of 6° and 120° and the degree change is greater than 5° within a period of less than 7.0 ms.

POSSIBLE CAUSES

RELATED TPS ENGINE DTC'S PRESENT
 THROTTLE POSITION SENSOR
 POWERTRAIN CONTROL MODULE
 INTERMITTENT WIRING AND CONNECTORS

TEST	ACTION	APPLICABILITY
1	<p>NOTE: Low fluid level can be the cause of many transmission problems. If the fluid level is low locate and repair the leak then check and adjust the fluid level per the Service Information.</p> <p>NOTE: Always perform diagnostics with a fully charged battery to avoid false symptoms.</p> <p>With the DRBIII®, read Engine DTC's. Check and repair all Engine DTC's prior to performing any transmission symptom diagnostics.</p> <p>With the DRBIII®, read Transmission DTC's. Record all DTC's and 1 Trip Failures.</p> <p>NOTE: Diagnose 1 Trip Failures as a fully matured DTC.</p> <p>Using the wiring diagram/schematic as a guide, inspect the wiring and connectors. Repair as necessary.</p> <p>Perform the Shift Lever Position Test. If the test does not pass, refer to Symptom test for P0706 Check Shifter Signal.</p> <p>For Gear Ratio DTC's, check and record all CVI's.</p> <p>Most DTC's set on start up but some must be set by driving the vehicle such that all diagnostic monitors have run.</p> <p>NOTE: Verify flash level of Powertrain Control Module. Some problems are corrected by software upgrades to the Transmission and Engine software.</p> <p>NOTE: Check for applicable TSB's related to the problem.</p> <p>Perform this procedure prior to Symptom diagnosis.</p> <p>Continue Go To 2</p>	All
2	<p>With the DRBIII®, check Engine DTC's, this includes all one trip failures. Are there any Engine TPS DTCs present?</p> <p>Yes → Refer to the Powertrain category and perform the appropriate symptom. Perform 41TE (NGC) TRANSMISSION VERIFICATION TEST - VER 1.</p> <p>No → Go To 3</p>	All

P0124-THROTTLE POSITION SENSOR/APPS INTERMITTENT —
Continued

TEST	ACTION	APPLICABILITY
3	<p>With the DRBIII®, record the EATX EVENT DATA to help identify the conditions in which the DTC was set. With the DRBIII®, erase Transmission DTCs. NOTE: To erase EATX EVENT DATA information, a BATTERY DISCONNECT must be performed. Performing a BATTERY DISCONNECT will reset all learned Transmission values to controller defaults which may lead to erratic shift schedules. Drive the vehicle and try to duplicate the conditions in which the DTC was reported by the EATX EVENT DATA. With the DRBIII®, read Transmission DTCs. Did the DTC P0124 THROTTLE POSITION SENSOR INTERMITTENT, reset?</p> <p style="padding-left: 40px;">Yes → Go To 4</p> <p style="padding-left: 40px;">No → Go To 6</p>	All
4	<p>Ignition On, Engine Not Running. With the DRBIII®, under Transmission Sensors, monitor the TPS voltage in the following step. Slowly open and close the throttle while checking for erratic voltage changes. Did the TPS voltage change smooth and consistent?</p> <p style="padding-left: 40px;">Yes → Go To 5</p> <p style="padding-left: 40px;">No → Replace the Throttle Position Sensor per the Service Information. Perform 41TE (NGC) TRANSMISSION VERIFICATION TEST - VER 1.</p>	All
5	<p>NOTE: Due to the integration of the Powertrain and Transmission Control Modules, communication between the modules is internal. Using the schematics as a guide, inspect the wiring and connectors. Repair as necessary. Pay particular attention to all power and ground circuits. If there are no possible causes remaining, view repair.</p> <p style="padding-left: 40px;">Repair</p> <p style="padding-left: 80px;">Replace the Powertrain Control Module per the Service Information. WITH THE DRBIII® PERFORM QUICK LEARN. Perform 41TE (NGC) TRANSMISSION VERIFICATION TEST - VER 1.</p>	All
6	<p>The conditions necessary to set this DTC are not present at this time. Using the schematics as a guide, inspect the wiring and connectors specific to this circuit. Wiggle the wires while checking for shorted and open circuits. Pay particular attention to the TPS signal and sensor ground circuits. With the DRBIII®, check the EATX EVENT DATA to help identify the conditions in which the DTC was set. Were there any problems found?</p> <p style="padding-left: 40px;">Yes → Repair as necessary. Perform 41TE (NGC) TRANSMISSION VERIFICATION TEST - VER 1.</p> <p style="padding-left: 40px;">No → Test Complete.</p>	All

Symptom:**P0218-HIGH TEMPERATURE OPERATION ACTIVATED****When Monitored and Set Condition:****P0218-HIGH TEMPERATURE OPERATION ACTIVATED**

When Monitored: Whenever the engine is running. **NOTE:** This is an informational DTC designed to aid the technician in diagnosing shift quality complaints.

Set Condition: Immediately when a Overheat shift schedule is activated when the Transmission Oil Temperature reaches 155° C or 240° F.

POSSIBLE CAUSES

ENGINE COOLING SYSTEM MALFUNCTION
TRANSMISSION OIL COOLER PLUGGED
HIGH TEMPERATURE OPERATIONS ACTIVATED

TEST	ACTION	APPLICABILITY
1	<p>NOTE: Low fluid level can be the cause of many transmission problems. If the fluid level is low locate and repair the leak then check and adjust the fluid level per the Service Information.</p> <p>NOTE: Always perform diagnostics with a fully charged battery to avoid false symptoms.</p> <p>With the DRBIII®, read Engine DTC's. Check and repair all Engine DTC's prior to performing any transmission symptom diagnostics.</p> <p>With the DRBIII®, read Transmission DTC's. Record all DTC's and 1 Trip Failures.</p> <p>NOTE: Diagnose 1 Trip Failures as a fully matured DTC.</p> <p>Using the wiring diagram/schematic as a guide, inspect the wiring and connectors. Repair as necessary.</p> <p>Perform the Shift Lever Position Test. If the test does not pass, refer to Symptom test for P0706 Check Shifter Signal.</p> <p>For Gear Ratio DTC's, check and record all CVI's.</p> <p>Most DTC's set on start up but some must be set by driving the vehicle such that all diagnostic monitors have run.</p> <p>NOTE: Verify flash level of Powertrain Control Module. Some problems are corrected by software upgrades to the Transmission and Engine software.</p> <p>NOTE: Check for applicable TSB's related to the problem.</p> <p>Perform this procedure prior to Symptom diagnosis.</p> <p>Continue Go To 2</p>	All
2	<p>Perform Engine Cooling System diagnostics per the Service Information.</p> <p>Is the Engine Cooling System functioning properly?</p> <p>Yes → Go To 3</p> <p>No → Repair the cause of the engine overheating. Refer to the Service Information for the related symptoms or repair procedures.</p> <p>Perform 41TE (NGC) TRANSMISSION VERIFICATION TEST - VER 1.</p>	All

P0218-HIGH TEMPERATURE OPERATION ACTIVATED — Continued

TEST	ACTION	APPLICABILITY
3	<p>Perform Transmission Cooler Flow Check per the Service Information. Did the Transmission Cooler Flow Check test pass?</p> <p>Yes → Go To 4</p> <p>No → Repair or replace the plugged Transmission Oil Cooler per the Service Information. Repair the cause of the plugged Transmission Oil Cooler as necessary. Perform 41TE (NGC) TRANSMISSION VERIFICATION TEST - VER 1.</p>	All
4	<p>This DTC is an informational DTC designed to aid the Technician in diagnosing shift quality complaints. This DTC indicates that the transmission has been operating in the "Overheat" shift schedule which may generate a customer complaint. The customer driving patterns may indicate the need for an additional transmission oil cooler. With the DRBIII®, check the EATX EVENT DATA to help identify the conditions in which the DTC was set. View repair options.</p> <p>Repair</p> <p>Repair the cause of transmission overheating per the Service Information. Perform 41TE (NGC) TRANSMISSION VERIFICATION TEST - VER 1.</p>	All

Symptom:
P0562-LOW BATTERY VOLTAGE

When Monitored and Set Condition:

P0562-LOW BATTERY VOLTAGE

When Monitored: With the engine running and the PCM has closed the Transmission Control Relay.

Set Condition: If the battery voltage of the Transmission Control Relay Output Sense circuit(s) to the PCM is less than 10.0 volts for the period of 15 seconds. Note: P0562 generally indicates a gradually falling battery voltage or a resistive connection(s) to the PCM. The DTC will also set if the battery voltage sensed at the PCM is less than 6.5v for 200ms or where Transmission Control Relay Output circuits is less than 7.2v for 200ms.

POSSIBLE CAUSES

- RELATED CHARGING SYSTEM DTC'S
- GROUND CIRCUIT OPEN OR HIGH RESISTANCE
- FUSED B+ CIRCUIT TO PCM HIGH RESISTANCE
- TRANSMISSION CONTROL RELAY OUTPUT TO TCM OPEN OR HIGH RESISTANCE
- TRANSMISSION CONTROL RELAY
- POWERTRAIN CONTROL MODULE
- INTERMITTENT WIRING AND CONNECTORS

TEST	ACTION	APPLICABILITY
1	<p>NOTE: Low fluid level can be the cause of many transmission problems. If the fluid level is low locate and repair the leak then check and adjust the fluid level per the Service Information.</p> <p>NOTE: Always perform diagnostics with a fully charged battery to avoid false symptoms.</p> <p>With the DRBIII®, read Engine DTC's. Check and repair all Engine DTC's prior to performing any transmission symptom diagnostics.</p> <p>With the DRBIII®, read Transmission DTC's. Record all DTC's and 1 Trip Failures.</p> <p>NOTE: Diagnose 1 Trip Failures as a fully matured DTC.</p> <p>Using the wiring diagram/schematic as a guide, inspect the wiring and connectors. Repair as necessary.</p> <p>Perform the Shift Lever Position Test. If the test does not pass, refer to Symptom test for P0706 Check Shifter Signal.</p> <p>For Gear Ratio DTC's, check and record all CVI's.</p> <p>Most DTC's set on start up but some must be set by driving the vehicle such that all diagnostic monitors have run.</p> <p>NOTE: Verify flash level of Powertrain Control Module. Some problems are corrected by software upgrades to the Transmission and Engine software.</p> <p>NOTE: Check for applicable TSB's related to the problem.</p> <p>Perform this procedure prior to Symptom diagnosis.</p> <p style="text-align: center;">Continue Go To 2</p>	All

P0562-LOW BATTERY VOLTAGE — Continued

TEST	ACTION	APPLICABILITY
2	<p>With the DRBIII®, read the Engine DTC's. Are there any Charging System related DTC's present also?</p> <p>Yes → Refer to the Charging System category and repair any PCM Charging System DTC's, before testing DTC P0562. NOTE: After repairing the PCM Charging System DTC's, perform the Transmission Verification test to verify the transmission was not damaged. Perform 41TE (NGC) TRANSMISSION VERIFICATION TEST - VER 1.</p> <p>No → Go To 3</p>	All
3	<p>NOTE: Generator, battery, and charging system must be fully functional before performing this test. With the DRBIII®, read Transmission DTC's. With the DRBIII®, Check the STARTS SINCE SET counter for P0562. Note: This counter only applies to the last DTC set. Is the STARTS SINCE SET counter set at 0?</p> <p>Yes → Go To 4</p> <p>No → Go To 9</p>	All
4	<p>Turn the ignition off to the lock position. Disconnect the PCM harness connector. Note: Check connectors - Clean/repair as necessary. CAUTION: DO NOT PROBE THE PCM HARNESS CONNECTORS. PROBING THE PCM HARNESS CONNECTORS WILL DAMAGE THE PCM TERMINALS RESULTING IN POOR TERMINAL TO PIN CONNECTION. INSTALL MILLER SPECIAL TOOL #8815 TO PERFORM DIAGNOSIS. Using a 12-volt test light connected to 12-volts, check the Ground circuits in the appropriate terminal of special tool #8815. NOTE: The test light must illuminate brightly. Compare the brightness to that of a direct connection to the battery. Does the test light illuminate brightly for all the Ground circuits?</p> <p>Yes → Go To 5</p> <p>No → Repair the Ground circuit and/or circuits for an open or high resistance. Perform 41TE (NGC) TRANSMISSION VERIFICATION TEST - VER 1.</p>	All

P0562-LOW BATTERY VOLTAGE — Continued

TEST	ACTION	APPLICABILITY
5	<p>Turn the ignition off to the lock position. Disconnect the PCM harness connector. Remove the Transmission Control Relay. Note: Check connectors - Clean/repair as necessary. Connect a jumper wire between Fused B+ circuit and Transmission Control Relay Output circuit in the Transmission Relay connector. Ignition on, engine not running. CAUTION: DO NOT PROBE THE PCM HARNESS CONNECTORS. PROBING THE PCM HARNESS CONNECTORS WILL DAMAGE THE PCM TERMINALS RESULTING IN POOR TERMINAL TO PIN CONNECTION. INSTALL MILLER SPECIAL TOOL #8815 TO PERFORM DIAGNOSIS. Using a 12-volt test light connected to ground, check the Fused B+ circuit in the appropriate terminal of special tool #8815. NOTE: The Test light must illuminate brightly. Compare the brightness to that of a direct connection to the battery. Does the test light illuminate brightly?</p> <p style="padding-left: 40px;">Yes → Go To 6</p> <p style="padding-left: 40px;">No → Repair the Fused B+ Circuit circuit for an open or high resistance. Perform 41TE (NGC) TRANSMISSION VERIFICATION TEST - VER 1.</p>	All
6	<p>Turn the ignition off to the lock position. Disconnect the PCM harness connector. Remove the Transmission Control Relay. Note: Check connectors - Clean/repair as necessary. CAUTION: DO NOT PROBE THE PCM HARNESS CONNECTORS. PROBING THE PCM HARNESS CONNECTORS WILL DAMAGE THE PCM TERMINALS RESULTING IN POOR TERMINAL TO PIN CONNECTION. INSTALL MILLER SPECIAL TOOL #8815 TO PERFORM DIAGNOSIS. Connect a jumper wire between Fused B+ circuit and the Transmission Control Relay Output circuit. Ignition on, engine not running. Using a 12-volt test light connected to ground, check both Transmission Control Relay Output circuits in the appropriate terminal of special tool #8815. NOTE: The test light must illuminate brightly. Compare the brightness to that of a direct connection to the battery. Does the test light illuminate brightly?</p> <p style="padding-left: 40px;">Yes → Go To 7</p> <p style="padding-left: 40px;">No → Repair the Transmission Control Relay Output circuit for an open or high resistance. Perform 41TE (NGC) TRANSMISSION VERIFICATION TEST - VER 1.</p>	All

P0562-LOW BATTERY VOLTAGE — Continued

TEST	ACTION	APPLICABILITY
7	<p>Turn the ignition off to the lock position. Install a substitute Relay in place of the Transmission Control Relay. Start the engine. Using a voltmeter, measure the battery voltage. With the DRBIII®, monitor the Transmission Switched Battery Voltage. Compare the DRBIII® Transmission Switched Battery voltage to the actual battery voltage. Is the DRBIII® voltage within 2.0 volts of the battery voltage?</p> <p>Yes → Replace the Transmission Control Relay. Perform 41TE (NGC) TRANSMISSION VERIFICATION TEST - VER 1.</p> <p>No → Go To 8</p>	All
8	<p>Using the schematics as a guide, inspect the wiring and connectors. Repair as necessary. Pay particular attention to all power and ground circuits. If there are no possible causes remaining, view repair.</p> <p>Repair</p> <p>Replace the Powertrain Control Module per the Service Information. WITH THE DRBIII® PERFORM QUICK LEARN AND REPROGRAM PINION FACTOR. Perform 41TE (NGC) TRANSMISSION VERIFICATION TEST - VER 1.</p>	All
9	<p>The conditions necessary to set the DTC are not present at this time. Using the schematics as a guide, inspect the wiring and connectors specific to this circuit. Wiggle the wiring and connectors while checking for shorts and open circuits. With the DRBIII®, check the EATX EVENT DATA to help identify the conditions in which the DTC was set. Were there any problems found?</p> <p>Yes → Repair as necessary. Perform 41TE (NGC) TRANSMISSION VERIFICATION TEST - VER 1.</p> <p>No → Test Complete.</p>	All

Symptom List:

P0604-INTERNAL TCM

P0605-INTERNAL TCM

P0613-INTERNAL TCM

Test Note: All symptoms listed above are diagnosed using the same tests. The title for the tests will be P0604-INTERNAL TCM.

POSSIBLE CAUSES

PCM - INTERNAL ERROR

TEST	ACTION	APPLICABILITY
1	<p>Using the schematics as a guide, inspect the wiring and connectors. Repair as necessary. Pay particular attention to all power and ground circuits. If there are no possible causes remaining, view repair.</p> <p>Repair</p> <p>Replace the Powertrain Control Module. WITH THE DRBIII® PERFORM QUICK LEARN AND REPROGRAM PINION FACTOR.</p> <p>Perform 41TE (NGC) TRANSMISSION VERIFICATION TEST - VER 1.</p>	All

Symptom:**P0706-CHECK SHIFTER SIGNAL****When Monitored and Set Condition:****P0706-CHECK SHIFTER SIGNAL**

When Monitored: Continuously with the ignition on.

Set Condition: After 3 occurrences in one ignition cycle of an invalid PRNDL DTC which lasts for more than 0.1 second. Note: All indicator lights on the instrument cluster will illuminate boxed when the vehicle engine is not running, ignition on or engine running in park or neutral if a problem exists.

POSSIBLE CAUSES

SHIFTER OUT OF ADJUSTMENT
TRS T1 SENSE CIRCUIT OPEN
TRS T3 SENSE CIRCUIT OPEN
TRS T41 SENSE CIRCUIT OPEN
TRS T42 SENSE CIRCUIT OPEN
TRS T1 SENSE CIRCUIT SHORT TO GROUND
TRS T3 SENSE CIRCUIT SHORT TO GROUND
TRS T41 SENSE CIRCUIT SHORT TO GROUND
TRS T42 SENSE CIRCUIT SHORT TO GROUND
TRS T1 SENSE CIRCUIT SHORT TO VOLTAGE
TRS T3 SENSE CIRCUIT SHORT TO VOLTAGE
TRS T41 SENSE CIRCUIT SHORT TO VOLTAGE
TRS T42 SENSE CIRCUIT SHORT TO VOLTAGE
TRANSMISSION RANGE SENSOR
POWERTRAIN CONTROL MODULE
INTERMITTENT WIRING AND CONNECTORS

P0706-CHECK SHIFTER SIGNAL — Continued

TEST	ACTION	APPLICABILITY
1	<p>NOTE: Low fluid level can be the cause of many transmission problems. If the fluid level is low locate and repair the leak then check and adjust the fluid level per the Service Information.</p> <p>NOTE: Always perform diagnostics with a fully charged battery to avoid false symptoms.</p> <p>With the DRBIII®, read Engine DTC's. Check and repair all Engine DTC's prior to performing any transmission symptom diagnostics.</p> <p>With the DRBIII®, read Transmission DTC's. Record all DTC's and 1 Trip Failures.</p> <p>NOTE: Diagnose 1 Trip Failures as a fully matured DTC.</p> <p>Using the wiring diagram/schematic as a guide, inspect the wiring and connectors. Repair as necessary.</p> <p>Perform the Shift Lever Position Test. If the test does not pass, refer to Symptom test for P0706 Check Shifter Signal.</p> <p>For Gear Ratio DTC's, check and record all CVI's.</p> <p>Most DTC's set on start up but some must be set by driving the vehicle such that all diagnostic monitors have run.</p> <p>NOTE: Verify flash level of Powertrain Control Module. Some problems are corrected by software upgrades to the Transmission and Engine software.</p> <p>NOTE: Check for applicable TSB's related to the problem.</p> <p>Perform this procedure prior to Symptom diagnosis.</p> <p style="text-align: center;">Continue Go To 2</p>	All
2	<p>With the DRBIII®, erase Transmission DTCs.</p> <p>Cycle the ignition off, then start the vehicle.</p> <p>Firmly apply the brakes and shift into Overdrive.</p> <p>NOTE: Vehicle must remain in Overdrive for at least three seconds.</p> <p>With the brakes firmly applied, shift slowly through all gears (PRNDL) as least three times, pausing momentarily in each gear.</p> <p>NOTE: If all the PRNDL lights box individually then the error was cleared.</p> <p>Shift into park and turn the ignition off to the lock position.</p> <p>Ignition on, engine not running.</p> <p>With the DRBIII®, read Transmission DTCs.</p> <p>Does the DTC P0706 reset, or do all the PRNDL indicators remain boxed in park or neutral?</p> <p style="text-align: center;">Yes → Go To 3 No → Go To 21</p>	All
3	<p>With the DRBIII®, perform the Shift Lever Position Test.</p> <p>Select the test outcome from the following:</p> <p style="text-align: center;">Test passes Go To 21</p> <p style="text-align: center;">Test fails with DTC Go To 4</p> <p style="text-align: center;">Test fails without DTC Go To 20</p>	All

P0706-CHECK SHIFTER SIGNAL — Continued

TEST	ACTION	APPLICABILITY
4	<p>Turn the ignition off to the lock position. Remove the Starter Relay. CAUTION: Removal of the Starter Relay is to prevent a Transmission, NO RESPONSE, condition and disable the starter. Install the Transmission Simulator, Miller tool #8333 and the Electronic Transmission Adapter kit 8333-1A. Ignition on, engine not running. With the DRBIII®, perform the Shift Lever Position Test. When the DRBIII® instructs you to put the Gear Selector in a particular position, you must do so using the Transmission Simulator. The LED for the gear position in question must be illuminated on the Transmission Simulator, prior to pressing the ENTER key on the DRBIII®. Did the Shift Lever Position Test pass?</p> <p style="padding-left: 40px;">Yes → Go To 5</p> <p style="padding-left: 40px;">No → Go To 6</p> <p>NOTE: After completion of this procedure, make sure to disconnect the Transmission Simulator, Miller tool #8333 and FWD adaptor cable kit, Miller tool #8333-1A and reconnect all connectors.</p>	All
5	<p>If there are no possible causes remaining, view repair.</p> <p style="padding-left: 40px;">Repair</p> <p style="padding-left: 80px;">Replace the Transmission Range Sensor per the Service Information. Perform 41TE (NGC) TRANSMISSION VERIFICATION TEST - VER 1.</p>	All
6	<p>Ignition on, engine not running. With the DRBIII®, monitor the TRS Sense circuits on the Input/Output screen - C1 thru C4. Move the shift lever through all gear positions, pausing momentarily in each gear position and watch for one of the circuits to not change state. Pick the one that did not change state.</p> <p style="padding-left: 40px;">TRS T1 sense (C4) Go To 7</p> <p style="padding-left: 40px;">TRS T3 sense (C3) Go To 10</p> <p style="padding-left: 40px;">TRS T41 sense (C1) Go To 13</p> <p style="padding-left: 40px;">TRS T42 sense (C2) Go To 16</p>	All

P0706-CHECK SHIFTER SIGNAL — Continued

TEST	ACTION	APPLICABILITY
7	Turn the ignition off to the lock position. Disconnect the TRS harness connector. Disconnect the PCM harness connector. Note: Check connectors - Clean/repair as necessary. CAUTION: DO NOT PROBE THE PCM HARNESS CONNECTORS. PROBING THE PCM HARNESS CONNECTORS WILL DAMAGE THE PCM TERMINALS RESULTING IN POOR TERMINAL TO PIN CONNECTION. INSTALL MILLER SPECIAL TOOL #8815 TO PERFORM DIAGNOSIS. Measure the resistance of the TRS T1 Sense circuit from the appropriate terminal of special tool #8815 to the TRS harness connector. Is the resistance above 5.0 ohms? Yes → Repair the TRS T1 Sense circuit for an open. Perform 41TE (NGC) TRANSMISSION VERIFICATION TEST - VER 1. No → Go To 8	All
8	Turn the ignition off to the lock position. Disconnect the TRS harness connector. Disconnect the PCM harness connector. Note: Check connectors - Clean/repair as necessary. CAUTION: DO NOT PROBE THE PCM HARNESS CONNECTORS. PROBING THE PCM HARNESS CONNECTORS WILL DAMAGE THE PCM TERMINALS RESULTING IN POOR TERMINAL TO PIN CONNECTION. INSTALL MILLER SPECIAL TOOL #8815 TO PERFORM DIAGNOSIS. Measure the resistance between ground and the TRS T1 Sense circuit. Is the resistance below 5.0 ohms? Yes → Repair the TRS T1 Sense circuit for a short to ground. Perform 41TE (NGC) TRANSMISSION VERIFICATION TEST - VER 1. No → Go To 9	All
9	Turn the ignition off to the lock position. Disconnect the TRS harness connector. Disconnect the PCM harness connector. Remove the Transmission Control Relay from the PDC. Note: Check connectors - Clean/repair as necessary. CAUTION: DO NOT PROBE THE PCM HARNESS CONNECTORS. PROBING THE PCM HARNESS CONNECTORS WILL DAMAGE THE PCM TERMINALS RESULTING IN POOR TERMINAL TO PIN CONNECTION. INSTALL MILLER SPECIAL TOOL #8815 TO PERFORM DIAGNOSIS. Connect a jumper wire between the Fused B+ circuit and the Transmission Control Relay Output circuit in the Transmission Control Relay connector. Ignition on, engine not running. Measure the voltage of the TRS T1 Sense circuit at the appropriate terminal of special tool #8815. Is the voltage above 0.5 volt? Yes → Repair the TRS T1 Sense circuit for a short to voltage. Perform 41TE (NGC) TRANSMISSION VERIFICATION TEST - VER 1. No → Go To 19	All

P0706-CHECK SHIFTER SIGNAL — Continued

TEST	ACTION	APPLICABILITY
10	<p>Turn the ignition off to the lock position. Disconnect the TRS harness connector. Disconnect the PCM harness connector. Note: Check connectors - Clean/repair as necessary. CAUTION: DO NOT PROBE THE PCM HARNESS CONNECTORS. PROBING THE PCM HARNESS CONNECTORS WILL DAMAGE THE PCM TERMINALS RESULTING IN POOR TERMINAL TO PIN CONNECTION. INSTALL MILLER SPECIAL TOOL #8815 TO PERFORM DIAGNOSIS. Measure the resistance of the TRS T3 Sense circuit from the appropriate terminal of special tool #8815 to the TRS harness connector. Is the resistance above 5.0 ohms?</p> <p>Yes → Repair the TRS T3 Sense circuit for an open. Perform 41TE (NGC) TRANSMISSION VERIFICATION TEST - VER 1.</p> <p>No → Go To 11</p>	All
11	<p>Turn the ignition off to the lock position. Disconnect the TRS harness connector. Disconnect the PCM harness connector. Note: Check connectors - Clean/repair as necessary. CAUTION: DO NOT PROBE THE PCM HARNESS CONNECTORS. PROBING THE PCM HARNESS CONNECTORS WILL DAMAGE THE PCM TERMINALS RESULTING IN POOR TERMINAL TO PIN CONNECTION. INSTALL MILLER SPECIAL TOOL #8815 TO PERFORM DIAGNOSIS. Measure the resistance between ground and the TRS T3 Sense circuit. Is the resistance below 5.0 ohms?</p> <p>Yes → Repair the TRS T3 Sense circuit for a short to ground. Perform 41TE (NGC) TRANSMISSION VERIFICATION TEST - VER 1.</p> <p>No → Go To 12</p>	All
12	<p>Turn the ignition off to the lock position. Disconnect the TRS harness connector. Disconnect the PCM harness connector. Remove the Transmission Control Relay. Note: Check connectors - Clean/repair as necessary. CAUTION: DO NOT PROBE THE PCM HARNESS CONNECTORS. PROBING THE PCM HARNESS CONNECTORS WILL DAMAGE THE PCM TERMINALS RESULTING IN POOR TERMINAL TO PIN CONNECTION. INSTALL MILLER SPECIAL TOOL #8815 TO PERFORM DIAGNOSIS. Connect a jumper wire between the Fused B+ circuit and the Transmission Control Relay Output circuit in the Transmission Control Relay connector. Ignition on, engine not running. Measure the voltage of the TRS T3 Sense circuit. Is the voltage above 0.5 volt?</p> <p>Yes → Repair the TRS T3 Sense circuit for a short to voltage. Perform 41TE (NGC) TRANSMISSION VERIFICATION TEST - VER 1.</p> <p>No → Go To 19</p>	All

P0706-CHECK SHIFTER SIGNAL — Continued

TEST	ACTION	APPLICABILITY
13	Turn the ignition off to the lock position. Disconnect the TRS harness connector. Disconnect the PCM harness connector. Note: Check connectors - Clean/repair as necessary. CAUTION: DO NOT PROBE THE PCM HARNESS CONNECTORS. PROBING THE PCM HARNESS CONNECTORS WILL DAMAGE THE PCM TERMINALS RESULTING IN POOR TERMINAL TO PIN CONNECTION. INSTALL MILLER SPECIAL TOOL #8815 TO PERFORM DIAGNOSIS. Measure the resistance of the TRS T41 Sense circuit from the appropriate terminal of special tool #8815 to the TRS harness connector. Is the resistance above 5.0 ohms? Yes → Repair the TRS T41 Sense circuit for an open. Perform 41TE (NGC) TRANSMISSION VERIFICATION TEST - VER 1. No → Go To 14	All
14	Turn the ignition off to the lock position. Disconnect the TRS harness connector. Disconnect the PCM harness connector. Note: Check connectors - Clean/repair as necessary. CAUTION: DO NOT PROBE THE PCM HARNESS CONNECTORS. PROBING THE PCM HARNESS CONNECTORS WILL DAMAGE THE PCM TERMINALS RESULTING IN POOR TERMINAL TO PIN CONNECTION. INSTALL MILLER SPECIAL TOOL #8815 TO PERFORM DIAGNOSIS. Measure the resistance between ground and the TRS T41 Sense circuit Is the resistance below 5.0 ohms? Yes → Repair the TRS T41 Sense circuit for a short to ground. Perform 41TE (NGC) TRANSMISSION VERIFICATION TEST - VER 1. No → Go To 15	All
15	Turn the ignition off to the lock position. Disconnect the TRS harness connector. Disconnect the PCM harness connector. Remove the Transmission Control Relay. Note: Check connectors - Clean/repair as necessary. CAUTION: DO NOT PROBE THE PCM HARNESS CONNECTORS. PROBING THE PCM HARNESS CONNECTORS WILL DAMAGE THE PCM TERMINALS RESULTING IN POOR TERMINAL TO PIN CONNECTION. INSTALL MILLER SPECIAL TOOL #8815 TO PERFORM DIAGNOSIS. Connect a jumper wire between the Fused B+ circuit and the Transmission Control Relay Output circuit in the Transmission Control Relay connector. Ignition on, engine not running. Measure the voltage of the TRS T41 Sense circuit. Is the voltage above 0.5 volt? Yes → Repair the TRS T1 Sense circuit for a short to voltage. Perform 41TE (NGC) TRANSMISSION VERIFICATION TEST - VER 1. No → Go To 19	All

P0706-CHECK SHIFTER SIGNAL — Continued

TEST	ACTION	APPLICABILITY
16	<p>Turn the ignition off to the lock position. Disconnect the TRS harness connector. Disconnect the PCM harness connector. Note: Check connectors - Clean/repair as necessary. CAUTION: DO NOT PROBE THE PCM HARNESS CONNECTORS. PROBING THE PCM HARNESS CONNECTORS WILL DAMAGE THE PCM TERMINALS RESULTING IN POOR TERMINAL TO PIN CONNECTION. INSTALL MILLER SPECIAL TOOL #8815 TO PERFORM DIAGNOSIS. Measure the resistance of the TRS T42 Sense circuit from the appropriate terminal of special tool #8815 to the TRS harness connector. Is the resistance above 5.0 ohms?</p> <p>Yes → Repair the TRS T42 Sense circuit for an open. Perform 41TE (NGC) TRANSMISSION VERIFICATION TEST - VER 1.</p> <p>No → Go To 17</p>	All
17	<p>Turn the ignition off to the lock position. Disconnect the TRS harness connector. Disconnect the PCM harness connector. Note: Check connectors - Clean/repair as necessary. CAUTION: DO NOT PROBE THE PCM HARNESS CONNECTORS. PROBING THE PCM HARNESS CONNECTORS WILL DAMAGE THE PCM TERMINALS RESULTING IN POOR TERMINAL TO PIN CONNECTION. INSTALL MILLER SPECIAL TOOL #8815 TO PERFORM DIAGNOSIS. Measure the resistance between ground and the TRS T42 Sense circuit. Is the resistance below 5.0 ohms?</p> <p>Yes → Repair the TRS T42 Sense circuit for a short to ground. Perform 41TE (NGC) TRANSMISSION VERIFICATION TEST - VER 1.</p> <p>No → Go To 18</p>	All
18	<p>Turn the ignition off to the lock position. Disconnect the TRS harness connector. Disconnect the PCM harness connector. Remove the Transmission Control Relay. Note: Check connectors - Clean/repair as necessary. Connect a jumper wire between the Fused B+ circuit and the Transmission Control Relay Output circuit in the Transmission Control Relay connector. Ignition on, engine not running. CAUTION: DO NOT PROBE THE PCM HARNESS CONNECTORS. PROBING THE PCM HARNESS CONNECTORS WILL DAMAGE THE PCM TERMINALS RESULTING IN POOR TERMINAL TO PIN CONNECTION. INSTALL MILLER SPECIAL TOOL #8815 TO PERFORM DIAGNOSIS. Measure the voltage of the TRS T42 Sense circuit. Is the voltage above 0.5 volt?</p> <p>Yes → Repair the TRS T42 Sense circuit for a short to voltage. Perform 41TE (NGC) TRANSMISSION VERIFICATION TEST - VER 1.</p> <p>No → Go To 19</p>	All

P0706-CHECK SHIFTER SIGNAL — Continued

TEST	ACTION	APPLICABILITY
19	<p>Using the schematics as a guide, inspect the wiring and connectors. Repair as necessary. Pay particular attention to all power and ground circuits. If there are no possible causes remaining, view repair.</p> <p>Repair</p> <p>Replace the Powertrain Control Module per the Service Information. WITH THE DRBIII® PERFORM QUICK LEARN AND REPROGRAM PINION FACTOR. Perform 41TE (NGC) TRANSMISSION VERIFICATION TEST - VER 1.</p>	All
20	<p>If there are no possible causes remaining, view repair.</p> <p>Repair</p> <p>Adjust the Shift Linkage and/or cable per the Service Information. Perform 41TE (NGC) TRANSMISSION VERIFICATION TEST - VER 1.</p>	All
21	<p>The conditions necessary to set the DTC are not present at this time. Using the schematics as a guide, inspect the wiring and connectors specific to this circuit. Wiggle the wiring and connectors while checking for shorted and open circuits. Check the Shift Linkage and cable for proper operation per the Service Information. With the DRBIII®, check the EATX EVENT DATA to help identify the conditions in which the DTC was set. Perform *PRNDL FAULT CLEARING PROCEDURE after completion of any repairs. Were there any problems found?</p> <p>Yes → Repair as necessary. Perform 41TE (NGC) TRANSMISSION VERIFICATION TEST - VER 1.</p> <p>No → Test Complete.</p>	All

Symptom:

P0711-TRANSMISSION TEMPERATURE SENSOR PERFORMANCE

When Monitored and Set Condition:

P0711-TRANSMISSION TEMPERATURE SENSOR PERFORMANCE

When Monitored: Continuously with the ignition on and engine running.

Set Condition: This DTC will set when the desired transmission temperature does not reach a normal operating temperature within a given time frame. Time is variable due to ambient temperature. Approximate times are starting temperature to warm up time: (-40° F / -40° C - 35 min) (-20° F / -28° C - 25 min) (20° F / -6.6° C - 20 min) (60° F / 15.5 ° C - 10 min)

POSSIBLE CAUSES

RELATED DTC'S PRESENT
 TRANSMISSION TEMPERATURE SENSOR
 POWERTRAIN CONTROL MODULE
 INTERMITTENT WIRING AND CONNECTORS

TEST	ACTION	APPLICABILITY
1	<p>NOTE: Low fluid level can be the cause of many transmission problems. If the fluid level is low locate and repair the leak then check and adjust the fluid level per the Service Information.</p> <p>NOTE: Always perform diagnostics with a fully charged battery to avoid false symptoms.</p> <p>With the DRBIII®, read Engine DTC's. Check and repair all Engine DTC's prior to performing any transmission symptom diagnostics.</p> <p>With the DRBIII®, read Transmission DTC's. Record all DTC's and 1 Trip Failures.</p> <p>NOTE: Diagnose 1 Trip Failures as a fully matured DTC.</p> <p>Using the wiring diagram/schematic as a guide, inspect the wiring and connectors. Repair as necessary.</p> <p>Perform the Shift Lever Position Test. If the test does not pass, refer to Symptom test for P0706 Check Shifter Signal.</p> <p>For Gear Ratio DTC's, check and record all CVI's.</p> <p>Most DTC's set on start up but some must be set by driving the vehicle such that all diagnostic monitors have run.</p> <p>NOTE: Verify flash level of Powertrain Control Module. Some problems are corrected by software upgrades to the Transmission and Engine software.</p> <p>NOTE: Check for applicable TSB's related to the problem.</p> <p>Perform this procedure prior to Symptom diagnosis.</p> <p style="text-align: center;">Continue Go To 2</p>	All

P0711-TRANSMISSION TEMPERATURE SENSOR PERFORMANCE — Continued

TEST	ACTION	APPLICABILITY
2	<p>With the DRBIII®, check Transmission DTC's. Are there any other Transmission Temperature Sensor related DTCs present?</p> <p>Yes → Refer to the Transmission category and perform the appropriate symptom. Perform 41TE (NGC) TRANSMISSION VERIFICATION TEST - VER 1.</p> <p>No → Go To 3</p>	All
3	<p>With the DRBIII®, Check the STARTS SINCE SET counter for P0711. NOTE: This counter only applies to the last DTC set. Is the STARTS SINCE SET counter 2 or less?</p> <p>Yes → Go To 4</p> <p>No → Go To 7</p>	All
4	<p>Turn the ignition off to the lock position. Remove the Starter Relay. CAUTION: Removal of the Starter Relay is to prevent a Transmission, NO RESPONSE, condition and disable the starter. Install the Transmission Simulator, Miller tool #8333 and the Electronic Transmission Adapter kit 8333-1A. Note: Check connectors - Clean/repair as necessary. Ignition on, engine not running. With the Transmission Simulator, turn the Input/Output switch to OFF. With the DRBIII®, monitor the TRANS TEMP VOLTS while turning the Thermistor Voltage switch to all three positions on the Transmission Simulator. Compare the DRBIII® readings with the numbers listed on the Transmission Simulator. Do the readings on the Transmission Simulator match the DRBIII® readings ± 0.2 volts?</p> <p>Yes → Go To 5</p> <p>No → Go To 6</p>	All
5	<p>If there are no possible causes remaining, view repair.</p> <p>Repair</p> <p>Replace Transmission Solenoid/TRS assembly per the Service Information. Perform 41TE (NGC) TRANSMISSION VERIFICATION TEST - VER 1.</p>	All
6	<p>Using the schematics as a guide, inspect the wiring and connectors. Repair as necessary. Pay particular attention to all power and ground circuits. If there are no possible causes remaining, view repair.</p> <p>Repair</p> <p>Replace the Powertrain Control Module per the Service Information. WITH THE DRBIII® PERFORM QUICK LEARN Perform 41TE (NGC) TRANSMISSION VERIFICATION TEST - VER 1.</p>	All

**P0711-TRANSMISSION TEMPERATURE SENSOR PERFORMANCE —
Continued**

TEST	ACTION	APPLICABILITY
7	<p>The conditions necessary to set this DTC are not present at this time. Using the schematics as a guide, inspect the wiring and connectors specific to this circuit. Wiggle the wires while checking for shorted and open circuits. With the DRBIII®, check the EATX EVENT DATA to help identify the conditions in which the DTC was set. Were there any problems found?</p> <p>Yes → Repair as necessary. Perform 41TE (NGC) TRANSMISSION VERIFICATION TEST - VER 1.</p> <p>No → Test Complete.</p>	All

Symptom:

P0712-TRANSMISSION TEMPERATURE SENSOR LOW

When Monitored and Set Condition:

P0712-TRANSMISSION TEMPERATURE SENSOR LOW

When Monitored: Continuously with the ignition on and engine running.

Set Condition: The DTC will set when the monitored Temperature Sensor voltage drops below 0.078 volts for the period of 0.45 seconds.

POSSIBLE CAUSES

RELATED DTC'S PRESENT

TRANSMISSION TEMPERATURE SENSOR SIGNAL CIRCUIT SHORT TO GROUND

TRANSMISSION TEMPERATURE SENSOR

POWERTRAIN CONTROL MODULE

INTERMITTENT WIRING AND CONNECTORS

TEST	ACTION	APPLICABILITY
1	<p>NOTE: Low fluid level can be the cause of many transmission problems. If the fluid level is low locate and repair the leak then check and adjust the fluid level per the Service Information.</p> <p>NOTE: Always perform diagnostics with a fully charged battery to avoid false symptoms.</p> <p>With the DRBIII®, read Engine DTC's. Check and repair all Engine DTC's prior to performing any transmission symptom diagnostics.</p> <p>With the DRBIII®, read Transmission DTC's. Record all DTC's and 1 Trip Failures.</p> <p>NOTE: Diagnose 1 Trip Failures as a fully matured DTC.</p> <p>Using the wiring diagram/schematic as a guide, inspect the wiring and connectors. Repair as necessary.</p> <p>Perform the Shift Lever Position Test. If the test does not pass, refer to Symptom test for P0706 Check Shifter Signal.</p> <p>For Gear Ratio DTC's, check and record all CVI's.</p> <p>Most DTC's set on start up but some must be set by driving the vehicle such that all diagnostic monitors have run.</p> <p>NOTE: Verify flash level of Powertrain Control Module. Some problems are corrected by software upgrades to the Transmission and Engine software.</p> <p>NOTE: Check for applicable TSB's related to the problem.</p> <p>Perform this procedure prior to Symptom diagnosis.</p> <p>Continue Go To 2</p>	All
2	<p>With the DRBIII®, check Transmission DTC's.</p> <p>Are there any Speed Sensor DTCs present?</p> <p>Yes → Refer to the Transmission category and perform the appropriate symptom. Perform 41TE (NGC) TRANSMISSION VERIFICATION TEST - VER 1.</p> <p>No → Go To 3</p>	All

P0712-TRANSMISSION TEMPERATURE SENSOR LOW — Continued

TEST	ACTION	APPLICABILITY
3	<p>With the DRBIII®, Check the STARTS SINCE SET counter for P0712. NOTE: This counter only applies to the last DTC set. Is the STARTS SINCE SET counter 2 or less?</p> <p style="padding-left: 40px;">Yes → Go To 4</p> <p style="padding-left: 40px;">No → Go To 8</p>	All
4	<p>Turn the ignition off to the lock position. Remove the Starter Relay. CAUTION: Removal of the Starter Relay is to prevent a Transmission, NO RESPONSE, condition and disable the starter. Install the Transmission Simulator, Miller tool #8333 and the Electronic Transmission Adapter kit 8333-1A. Note: Check connectors - Clean/repair as necessary. Ignition on, engine not running. With the Transmission Simulator, turn the Input/Output switch to OFF. With the DRBIII®, monitor the TRANS TEMP VOLTS while turning the Thermistor Voltage switch to all three positions on the Transmission Simulator. Compare the DRBIII® readings with the numbers listed on the Transmission Simulator. Do the readings on the Transmission Simulator match the DRBIII® readings ± 0.2 volts?</p> <p style="padding-left: 40px;">Yes → Go To 5</p> <p style="padding-left: 40px;">No → Go To 6</p>	All
5	<p>If there are no possible causes remaining, view repair.</p> <p style="padding-left: 40px;">Repair</p> <p style="padding-left: 80px;">Replace Transmission Solenoid/TRS assembly per the Service Information. Perform 41TE (NGC) TRANSMISSION VERIFICATION TEST - VER 1.</p>	All
6	<p>Turn the ignition off to the lock position. Disconnect the PCM C4 harness connector. Disconnect the Transmission Solenoid/TRS Assembly harness connector. Note: Check connectors - Clean/repair as necessary. CAUTION: DO NOT PROBE THE PCM HARNESS CONNECTORS. PROBING THE PCM HARNESS CONNECTORS WILL DAMAGE THE PCM TERMINALS RESULTING IN POOR TERMINAL TO PIN CONNECTION. INSTALL MILLER SPECIAL TOOL #8815 TO PERFORM DIAGNOSIS. Measure the resistance between ground and the Transmission Temperature Sensor Signal circuit. Is the resistance below 5.0 ohms?</p> <p style="padding-left: 40px;">Yes → Repair the Transmission Temperature Sensor Signal circuit for a short to ground. Perform 41TE (NGC) TRANSMISSION VERIFICATION TEST - VER 1.</p> <p style="padding-left: 40px;">No → Go To 7</p>	All

P0712-TRANSMISSION TEMPERATURE SENSOR LOW — Continued

TEST	ACTION	APPLICABILITY
7	<p>Using the schematics as a guide, inspect the wiring and connectors. Repair as necessary. Pay particular attention to all power and ground circuits. If there are no possible causes remaining, view repair.</p> <p style="padding-left: 40px;">Repair</p> <p style="padding-left: 80px;">Replace the Powertrain Control Module per the Service Information. WITH THE DRBIII® PERFORM QUICK LEARN Perform 41TE (NGC) TRANSMISSION VERIFICATION TEST - VER 1.</p>	All
8	<p>The conditions necessary to set this DTC are not present at this time. Using the schematics as a guide, inspect the wiring and connectors specific to this circuit. Wiggle the wires while checking for shorted and open circuits. With the DRBIII®, check the EATX EVENT DATA to help identify the conditions in which the DTC was set. Were there any problems found?</p> <p style="padding-left: 40px;">Yes → Repair as necessary. Perform 41TE (NGC) TRANSMISSION VERIFICATION TEST - VER 1.</p> <p style="padding-left: 40px;">No → Test Complete.</p>	All

Symptom:

P0713-TRANSMISSION TEMPERATURE SENSOR HIGH

When Monitored and Set Condition:

P0713-TRANSMISSION TEMPERATURE SENSOR HIGH

When Monitored: Continuously with the ignition on and engine running.

Set Condition: The DTC will set when the monitored Temperature Sensor voltage rises above 4.94 volts for the period of 0.45 seconds.

POSSIBLE CAUSES

RELATED DTC'S PRESENT

TRANSMISSION TEMPERATURE SENSOR SIGNAL CIRCUIT OPEN

TRANSMISSION TEMPERATURE SENSOR SIGNAL CIRCUIT SHORT TO VOLTAGE

TRANSMISSION TEMPERATURE SENSOR

POWERTRAIN CONTROL MODULE

INTERMITTENT WIRING AND CONNECTORS

TEST	ACTION	APPLICABILITY
1	<p>NOTE: Low fluid level can be the cause of many transmission problems. If the fluid level is low locate and repair the leak then check and adjust the fluid level per the Service Information.</p> <p>NOTE: Always perform diagnostics with a fully charged battery to avoid false symptoms.</p> <p>With the DRBIII®, read Engine DTC's. Check and repair all Engine DTC's prior to performing any transmission symptom diagnostics.</p> <p>With the DRBIII®, read Transmission DTC's. Record all DTC's and 1 Trip Failures.</p> <p>NOTE: Diagnose 1 Trip Failures as a fully matured DTC.</p> <p>Using the wiring diagram/schematic as a guide, inspect the wiring and connectors. Repair as necessary.</p> <p>Perform the Shift Lever Position Test. If the test does not pass, refer to Symptom test for P0706 Check Shifter Signal.</p> <p>For Gear Ratio DTC's, check and record all CVT's.</p> <p>Most DTC's set on start up but some must be set by driving the vehicle such that all diagnostic monitors have run.</p> <p>NOTE: Verify flash level of Powertrain Control Module. Some problems are corrected by software upgrades to the Transmission and Engine software.</p> <p>NOTE: Check for applicable TSB's related to the problem.</p> <p>Perform this procedure prior to Symptom diagnosis.</p> <p>Continue Go To 2</p>	All

P0713-TRANSMISSION TEMPERATURE SENSOR HIGH — Continued

TEST	ACTION	APPLICABILITY
2	<p>With the DRBIII®, check Transmission DTC's. Are there any Speed Sensor DTCs present?</p> <p>Yes → Refer to the Transmission category and perform the appropriate symptom. Perform 41TE (NGC) TRANSMISSION VERIFICATION TEST - VER 1.</p> <p>No → Go To 3</p>	All
3	<p>With the DRBIII®, Check the STARTS SINCE SET counter for P0713. NOTE: This counter only applies to the last DTC set. Is the STARTS SINCE SET counter 2 or less?</p> <p>Yes → Go To 4</p> <p>No → Go To 9</p>	All
4	<p>Turn the ignition off to the lock position. Remove the Starter Relay. CAUTION: Removal of the Starter Relay is to prevent a Transmission, NO RESPONSE, condition and disable the starter. Install the Transmission Simulator, Miller tool #8333 and the Electronic Transmission Adapter kit 8333-1A. Note: Check connectors - Clean/repair as necessary. Ignition on, engine not running. With the Transmission Simulator, turn the Input/Output switch to OFF. With the DRBIII®, monitor the TRANS TEMP VOLTS while turning the Thermistor Voltage switch to all three positions on the Transmission Simulator. Compare the DRBIII® readings with the numbers listed on the Transmission Simulator. Do the readings on the Transmission Simulator match the DRBIII® readings ± 0.2 volts?</p> <p>Yes → Go To 5</p> <p>No → Go To 6</p>	All
5	<p>If there are no possible causes remaining, view repair.</p> <p>Repair</p> <p>Replace Transmission Solenoid/TRS assembly per the Service Information. Perform 41TE (NGC) TRANSMISSION VERIFICATION TEST - VER 1.</p>	All

P0713-TRANSMISSION TEMPERATURE SENSOR HIGH — Continued

TEST	ACTION	APPLICABILITY
6	<p>Turn the ignition off to the lock position. Disconnect the PCM C4 harness connector. Disconnect the Transmission Solenoid /TRS Assembly harness connector Note: Check connectors - Clean/repair as necessary. CAUTION: DO NOT PROBE THE PCM HARNESS CONNECTORS. PROBING THE PCM HARNESS CONNECTORS WILL DAMAGE THE PCM TERMINALS RESULTING IN POOR TERMINAL TO PIN CONNECTION. INSTALL MILLER SPECIAL TOOL #8815 TO PERFORM DIAGNOSIS. Measure the resistance of the Transmission Temperature Sensor Signal circuit from the appropriate terminal of special tool #8815 to the Transmission Solenoid/TRS Assembly harness connector. Is the resistance above 5.0 ohms?</p> <p style="padding-left: 40px;">Yes → Repair the Transmission Temperature Sensor Signal circuit for an open. Perform 41TE (NGC) TRANSMISSION VERIFICATION TEST - VER 1.</p> <p style="padding-left: 40px;">No → Go To 7</p>	All
7	<p>Turn the ignition off to the lock position. Disconnect the PCM C4 harness connector. Remove the Transmission Control Relay. Note: Check connectors - Clean/repair as necessary. CAUTION: DO NOT PROBE THE PCM HARNESS CONNECTORS. PROBING THE PCM HARNESS CONNECTORS WILL DAMAGE THE PCM TERMINALS RESULTING IN POOR TERMINAL TO PIN CONNECTION. INSTALL MILLER SPECIAL TOOL #8815 TO PERFORM DIAGNOSIS. Connect a jumper wire between the Fused B+ circuit and the Transmission Control Relay Output circuit in the Transmission Control Relay connector. Ignition on, engine not running. Measure the voltage of the Transmission Temperature Sensor Signal circuit in the appropriate terminal of special tool #8815. Is the voltage above 0.5 volts?</p> <p style="padding-left: 40px;">Yes → Repair the Transmission Temperature Sensor Signal circuit for a short to voltage. Perform 41TE (NGC) TRANSMISSION VERIFICATION TEST - VER 1.</p> <p style="padding-left: 40px;">No → Go To 8</p>	All
8	<p>Using the schematics as a guide, inspect the wiring and connectors. Repair as necessary. Pay particular attention to all power and ground circuits. If there are no possible causes remaining, view repair.</p> <p style="padding-left: 40px;">Repair Replace the Powertrain Control Module per the Service Information. WITH THE DRBIII® PERFORM QUICK LEARN Perform 41TE (NGC) TRANSMISSION VERIFICATION TEST - VER 1.</p>	All

P0713-TRANSMISSION TEMPERATURE SENSOR HIGH — Continued

TEST	ACTION	APPLICABILITY
9	<p>The conditions necessary to set this DTC are not present at this time. Using the schematics as a guide, inspect the wiring and connectors specific to this circuit. Wiggle the wires while checking for shorted and open circuits. With the DRBIII®, check the EATX EVENT DATA to help identify the conditions in which the DTC was set. Were there any problems found?</p> <p>Yes → Repair as necessary. Perform 41TE (NGC) TRANSMISSION VERIFICATION TEST - VER 1.</p> <p>No → Test Complete.</p>	All

Symptom:

P0714-TRANSMISSION TEMPERATURE SENSOR INTERMITTENT

When Monitored and Set Condition:

P0714-TRANSMISSION TEMPERATURE SENSOR INTERMITTENT

When Monitored: Continuously with the ignition on and engine running.

Set Condition: The DTC will set when the monitored Temperature Sensor voltage fluctuates or changes abruptly within a predetermined period of time.

POSSIBLE CAUSES

RELATED DTC'S PRESENT
 TRANSMISSION TEMPERATURE SENSOR
 POWERTRAIN CONTROL MODULE
 INTERMITTENT WIRING AND CONNECTORS

TEST	ACTION	APPLICABILITY
1	<p>NOTE: Low fluid level can be the cause of many transmission problems. If the fluid level is low locate and repair the leak then check and adjust the fluid level per the Service Information.</p> <p>NOTE: Always perform diagnostics with a fully charged battery to avoid false symptoms.</p> <p>With the DRBIII®, read Engine DTC's. Check and repair all Engine DTC's prior to performing any transmission symptom diagnostics.</p> <p>With the DRBIII®, read Transmission DTC's. Record all DTC's and 1 Trip Failures.</p> <p>NOTE: Diagnose 1 Trip Failures as a fully matured DTC.</p> <p>Using the wiring diagram/schematic as a guide, inspect the wiring and connectors. Repair as necessary.</p> <p>Perform the Shift Lever Position Test. If the test does not pass, refer to Symptom test for P0706 Check Shifter Signal.</p> <p>For Gear Ratio DTC's, check and record all CVI's.</p> <p>Most DTC's set on start up but some must be set by driving the vehicle such that all diagnostic monitors have run.</p> <p>NOTE: Verify flash level of Powertrain Control Module. Some problems are corrected by software upgrades to the Transmission and Engine software.</p> <p>NOTE: Check for applicable TSB's related to the problem.</p> <p>Perform this procedure prior to Symptom diagnosis.</p> <p>Continue Go To 2</p>	All
2	<p>With the DRBIII®, check Transmission DTC's.</p> <p>Are there any Speed Sensor and/or other Temperature Sensor DTCs present?</p> <p>Yes → Refer to the Transmission category and perform the appropriate symptom. Perform 41TE (NGC) TRANSMISSION VERIFICATION TEST - VER 1.</p> <p>No → Go To 3</p>	All

P0714-TRANSMISSION TEMPERATURE SENSOR INTERMITTENT — Continued

TEST	ACTION	APPLICABILITY
3	<p>With the DRBIII®, Check the STARTS SINCE SET counter for P0714. NOTE: This counter only applies to the last DTC set. Is the STARTS SINCE SET counter 2 or less?</p> <p>Yes → Go To 4 No → Go To 7</p>	All
4	<p>Turn the ignition off to the lock position. Remove the Starter Relay. CAUTION: Removal of the Starter Relay is to prevent a Transmission, NO RESPONSE, condition and disable the starter. Install the Transmission Simulator, Miller tool #8333 and the Electronic Transmission Adapter kit 8333-1A. Note: Check connectors - Clean/repair as necessary. Ignition on, engine not running. With the Transmission Simulator, turn the Input/Output switch to OFF. With the DRBIII®, monitor the TRANS TEMP VOLTS while turning the Thermistor Voltage switch to all three positions on the Transmission Simulator. Compare the DRBIII® readings with the numbers listed on the Transmission Simulator. Do the readings on the Transmission Simulator match a non-fluctuating DRBIII® reading ± 0.2 volts?</p> <p>Yes → Go To 5 No → Go To 6</p>	All
5	<p>If there are no possible causes remaining, view repair.</p> <p>Repair Replace Transmission Solenoid/TRS assembly per the Service Information. Perform 41TE (NGC) TRANSMISSION VERIFICATION TEST - VER 1.</p>	All
6	<p>Using the schematics as a guide, inspect the wiring and connectors. Repair as necessary. Pay particular attention to all power and ground circuits. If there are no possible causes remaining, view repair.</p> <p>Repair Replace the Powertrain Control Module per the Service Information. WITH THE DRBIII® PERFORM QUICK LEARN Perform 41TE (NGC) TRANSMISSION VERIFICATION TEST - VER 1.</p>	All
7	<p>The conditions necessary to set this DTC are not present at this time. Using the schematics as a guide, inspect the wiring and connectors specific to this circuit. Wiggle the wires while checking for shorted and open circuits. With the DRBIII®, check the EATX EVENT DATA to help identify the conditions in which the DTC was set. Were there any problems found?</p> <p>Yes → Repair as necessary. Perform 41TE (NGC) TRANSMISSION VERIFICATION TEST - VER 1. No → Test Complete.</p>	All

Symptom:

P0715-INPUT SPEED SENSOR ERROR

When Monitored and Set Condition:

P0715-INPUT SPEED SENSOR ERROR

When Monitored: The transmission gear ratio is monitored continuously while the transmission is in gear.

Set Condition: If there is an excessive change in the Input RPM in any gear.

POSSIBLE CAUSES

- INPUT SPEED SENSOR SIGNAL CIRCUIT OPEN
- SPEED SENSOR GROUND CIRCUIT OPEN
- INPUT SPEED SENSOR SIGNAL CIRCUIT SHORT TO GROUND
- INPUT SPEED SENSOR SIGNAL CIRCUIT SHORT TO VOLTAGE
- SPEED SENSOR GROUND CIRCUIT SHORT TO VOLTAGE
- INPUT SPEED SENSOR
- POWERTRAIN CONTROL MODULE
- INTERMITTENT WIRING AND CONNECTORS

TEST	ACTION	APPLICABILITY
1	<p>NOTE: Low fluid level can be the cause of many transmission problems. If the fluid level is low locate and repair the leak then check and adjust the fluid level per the Service Information.</p> <p>NOTE: Always perform diagnostics with a fully charged battery to avoid false symptoms.</p> <p>With the DRBIII®, read Engine DTC's. Check and repair all Engine DTC's prior to performing any transmission symptom diagnostics.</p> <p>With the DRBIII®, read Transmission DTC's. Record all DTC's and 1 Trip Failures.</p> <p>NOTE: Diagnose 1 Trip Failures as a fully matured DTC.</p> <p>Using the wiring diagram/schematic as a guide, inspect the wiring and connectors. Repair as necessary.</p> <p>Perform the Shift Lever Position Test. If the test does not pass, refer to Symptom test for P0706 Check Shifter Signal.</p> <p>For Gear Ratio DTC's, check and record all CVI's.</p> <p>Most DTC's set on start up but some must be set by driving the vehicle such that all diagnostic monitors have run.</p> <p>NOTE: Verify flash level of Powertrain Control Module. Some problems are corrected by software upgrades to the Transmission and Engine software.</p> <p>NOTE: Check for applicable TSB's related to the problem.</p> <p>Perform this procedure prior to Symptom diagnosis.</p> <p style="text-align: center;">Continue Go To 2</p>	All

P0715-INPUT SPEED SENSOR ERROR — Continued

TEST	ACTION	APPLICABILITY
2	Start the engine. Place the shifter in park. With the DRBIII®, read the Input Speed Sensor RPM. Is the Input Speed Sensor reading below 400 RPM? Yes → Go To 3 No → Go To 11	All
3	Turn the ignition off to the lock position. Remove the Starter Relay. CAUTION: Removal of the Starter Relay is to prevent a Transmission, NO RESPONSE, condition and disable the starter. Install the Transmission Simulator, Miller tool #8333 and the Electronic Transmission Adapter kit 8333-1A. Ignition on, engine not running. With the Transmission Simulator, set the "Input/Output Speed" switch to "ON" and the rotary switch to the "3000/1250" position. With the DRBIII®, read the Input and Output RPM. Does the Input speed read 3000 RPM and the Output speed read 1250 RPM ± 50 RPM? Yes → Go To 4 No → Go To 5	All
4	If there are no possible causes remaining, view repair. Repair Replace the Input Speed Sensor per the Service Information. Perform 41TE (NGC) TRANSMISSION VERIFICATION TEST - VER 1.	All
5	Turn the ignition off to the lock position. Disconnect the PCM harness connector. Disconnect the Input Speed Sensor harness connector. Note: Check connectors - Clean/repair as necessary. CAUTION: DO NOT PROBE THE PCM HARNESS CONNECTORS. PROBING THE PCM HARNESS CONNECTORS WILL DAMAGE THE PCM TERMINALS RESULTING IN POOR TERMINAL TO PIN CONNECTION. INSTALL MILLER SPECIAL TOOL #8815 TO PERFORM DIAGNOSIS. Measure the resistance of the Input Speed Sensor Signal circuit from the appropriate terminal of special tool #8815 to the Input Speed Sensor connector. Is the resistance above 5.0 ohms? Yes → Repair the Input Speed Sensor Signal circuit for an open. Perform 41TE (NGC) TRANSMISSION VERIFICATION TEST - VER 1. No → Go To 6	All

P0715-INPUT SPEED SENSOR ERROR — Continued

TEST	ACTION	APPLICABILITY
6	<p>Turn the ignition off to the lock position. Disconnect the PCM harness connector. Disconnect the Input Speed Sensor harness connector. Note: Check connectors - Clean/repair as necessary. CAUTION: DO NOT PROBE THE PCM HARNESS CONNECTORS. PROBING THE PCM HARNESS CONNECTORS WILL DAMAGE THE PCM TERMINALS RESULTING IN POOR TERMINAL TO PIN CONNECTION. INSTALL MILLER SPECIAL TOOL #8815 TO PERFORM DIAGNOSIS. Measure the resistance of the Speed Sensor Ground circuit from the Pinout Box to the Input Speed Sensor harness connector. Is the resistance above 5.0 ohms?</p> <p>Yes → Repair the Speed Sensor Ground circuit for an open. Perform 41TE (NGC) TRANSMISSION VERIFICATION TEST - VER 1.</p> <p>No → Go To 7</p>	All
7	<p>Turn the ignition off to the lock position. Disconnect the PCM harness connector. Disconnect the Input Speed Sensor harness connector. Note: Check connectors - Clean/repair as necessary. CAUTION: DO NOT PROBE THE PCM HARNESS CONNECTORS. PROBING THE PCM HARNESS CONNECTORS WILL DAMAGE THE PCM TERMINALS RESULTING IN POOR TERMINAL TO PIN CONNECTION. INSTALL MILLER SPECIAL TOOL #8815 TO PERFORM DIAGNOSIS. Measure the resistance between ground and the Input Speed Sensor Signal circuit. Is the resistance Below 5.0 ohms?</p> <p>Yes → Repair the Input Speed Sensor Signal circuit for a short to ground. Perform 41TE (NGC) TRANSMISSION VERIFICATION TEST - VER 1.</p> <p>No → Go To 8</p>	All
8	<p>Turn the ignition off to the lock position. Disconnect the Input Speed Sensor harness connector. Disconnect the PCM harness connector. Remove the Transmission Control Relay. Note: Check connectors - Clean/repair as necessary. CAUTION: DO NOT PROBE THE PCM HARNESS CONNECTORS. PROBING THE PCM HARNESS CONNECTORS WILL DAMAGE THE PCM TERMINALS RESULTING IN POOR TERMINAL TO PIN CONNECTION. INSTALL MILLER SPECIAL TOOL #8815 TO PERFORM DIAGNOSIS. Connect a jumper wire between the Fused B+ circuit and the Transmission Control Relay Output circuit in the Transmission Control Relay connector. Ignition on, engine not running. Measure the voltage of the Input Speed Sensor Signal circuit. Is the voltage above 0.5 volts?</p> <p>Yes → Repair the Input Speed Sensor Signal circuit for a short to voltage. Perform 41TE (NGC) TRANSMISSION VERIFICATION TEST - VER 1.</p> <p>No → Go To 9</p>	All

P0715-INPUT SPEED SENSOR ERROR — Continued

TEST	ACTION	APPLICABILITY
9	<p>Turn the ignition off to the lock position. Disconnect the PCM harness connector. Disconnect the TRS harness connector. Remove the Transmission Control Relay. Note: Check connectors - Clean/repair as necessary. Connect a jumper wire between the Fused B+ and the Transmission Control Relay Output circuit in the Transmission Control Relay connector. Ignition on, engine not running. CAUTION: DO NOT PROBE THE PCM HARNESS CONNECTORS. PROBING THE PCM HARNESS CONNECTORS WILL DAMAGE THE PCM TERMINALS RESULTING IN POOR TERMINAL TO PIN CONNECTION. INSTALL MILLER SPECIAL TOOL #8815 TO PERFORM DIAGNOSIS. Measure the voltage of the Speed Sensor Ground circuit in the Pinout Box. Is the voltage above 0.5 volt?</p> <p style="padding-left: 40px;">Yes → Repair the Speed Sensor Ground circuit for a short to voltage. Perform 41TE (NGC) TRANSMISSION VERIFICATION TEST - VER 1.</p> <p style="padding-left: 40px;">No → Go To 10</p>	All
10	<p>Using the schematics as a guide, inspect the wiring and connectors. Repair as necessary. Pay particular attention to all power and ground circuits. If there are no possible causes remaining, view repair.</p> <p style="padding-left: 40px;">Repair Replace the Powertrain Control Module per the Service Information. WITH THE DRBIII® PERFORM QUICK LEARN AND REPROGRAM PINION FACTOR. Perform 41TE (NGC) TRANSMISSION VERIFICATION TEST - VER 1.</p>	All
11	<p>The conditions necessary to set the DTC are not present at this time. Using the schematics as a guide, inspect the wiring and connectors specific to this circuit. Wiggle the wiring and connectors while checking for shorted and open circuits. With the DRBIII®, check the EATX EVENT DATA to help identify the conditions in which the DTC was set. Were there any problems found?</p> <p style="padding-left: 40px;">Yes → Repair as necessary. Perform 41TE (NGC) TRANSMISSION VERIFICATION TEST - VER 1.</p> <p style="padding-left: 40px;">No → Test Complete.</p>	All

Symptom:

P0720-OUTPUT SPEED SENSOR ERROR

When Monitored and Set Condition:

P0720-OUTPUT SPEED SENSOR ERROR

When Monitored: The transmission gear ratio is monitored continuously while the transmission is in gear.

Set Condition: If there is an excessive change in the Output RPM in any gear.

POSSIBLE CAUSES

- OUTPUT SPEED SENSOR SIGNAL CIRCUIT OPEN
- SPEED SENSOR GROUND CIRCUIT OPEN
- OUTPUT SPEED SENSOR SIGNAL CIRCUIT SHORT TO GROUND
- OUTPUT SPEED SENSOR SIGNAL CIRCUIT SHORT TO VOLTAGE
- SPEED SENSOR GROUND CIRCUIT SHORT TO VOLTAGE
- OUTPUT SPEED SENSOR
- POWERTRAIN CONTROL MODULE
- INTERMITTENT WIRING AND CONNECTORS

TEST	ACTION	APPLICABILITY
1	<p>NOTE: Low fluid level can be the cause of many transmission problems. If the fluid level is low locate and repair the leak then check and adjust the fluid level per the Service Information.</p> <p>NOTE: Always perform diagnostics with a fully charged battery to avoid false symptoms.</p> <p>With the DRBIII®, read Engine DTC's. Check and repair all Engine DTC's prior to performing any transmission symptom diagnostics.</p> <p>With the DRBIII®, read Transmission DTC's. Record all DTC's and 1 Trip Failures.</p> <p>NOTE: Diagnose 1 Trip Failures as a fully matured DTC.</p> <p>Using the wiring diagram/schematic as a guide, inspect the wiring and connectors. Repair as necessary.</p> <p>Perform the Shift Lever Position Test. If the test does not pass, refer to Symptom test for P0706 Check Shifter Signal.</p> <p>For Gear Ratio DTC's, check and record all CVI's.</p> <p>Most DTC's set on start up but some must be set by driving the vehicle such that all diagnostic monitors have run.</p> <p>NOTE: Verify flash level of Powertrain Control Module. Some problems are corrected by software upgrades to the Transmission and Engine software.</p> <p>NOTE: Check for applicable TSB's related to the problem.</p> <p>Perform this procedure prior to Symptom diagnosis.</p> <p style="text-align: center;">Continue Go To 2</p>	All

P0720-OUTPUT SPEED SENSOR ERROR — Continued

TEST	ACTION	APPLICABILITY
2	Start the engine in park. Raise the drive wheels off of the ground. WARNING: PROPERLY SUPPORT THE VEHICLE. Firmly apply the brakes and place the transmission selector in drive. WARNING: BE SURE TO KEEP HANDS AND FEET CLEAR OF ROTATING WHEELS. Release the brakes and allow the drive wheels to spin freely. Note: The drive wheels must be turning at this point. With the DRBIII®, read the Output RPM Is the Output RPM below 100? Yes → Go To 3 No → Go To 11	All
3	Turn the ignition off to the lock position. Remove the Starter Relay. CAUTION: Removal of the Starter Relay is to prevent a Transmission, NO RESPONSE, condition and disable the starter. Install the Transmission Simulator, Miller tool #8333 and the Electronic Transmission Adapter kit 8333-1A. Ignition on, engine not running. With the Transmission Simulator, set the "Input/Output Speed" switch to "ON" and the rotary switch to the "3000/1250" position. With the DRBIII®, read the Input and Output RPM. Does the Input RPM read 3000 and the Output RPM read 1250 (within 50 RPM)? Yes → Go To 4 No → Go To 5	All
4	If there are no possible causes remaining, view repair. Repair Replace the Output Speed Sensor per the Service Information. Perform 41TE (NGC) TRANSMISSION VERIFICATION TEST - VER 1.	All
5	Turn the ignition off to the lock position. Disconnect the PCM harness connector. Disconnect the Output Speed Sensor harness connector. Note: Check connectors - Clean/repair as necessary. CAUTION: DO NOT PROBE THE PCM HARNESS CONNECTORS. PROBING THE PCM HARNESS CONNECTORS WILL DAMAGE THE PCM TERMINALS RESULTING IN POOR TERMINAL TO PIN CONNECTION. INSTALL MILLER SPECIAL TOOL #8815 TO PERFORM DIAGNOSIS. Measure the resistance of the Output Speed Sensor Signal circuit from appropriate terminal of special tool #8815 to the Output Speed Sensor harness connector. Is the resistance above 5.0 ohms? Yes → Repair the Output Speed Sensor Signal circuit for an open. Perform 41TE (NGC) TRANSMISSION VERIFICATION TEST - VER 1. No → Go To 6	All

P0720-OUTPUT SPEED SENSOR ERROR — Continued

TEST	ACTION	APPLICABILITY
6	<p>Turn the ignition off to the lock position. Disconnect the PCM harness connector. Disconnect the Output Speed Sensor harness connector. Note: Check connectors - Clean/repair as necessary. CAUTION: DO NOT PROBE THE PCM HARNESS CONNECTORS. PROBING THE PCM HARNESS CONNECTORS WILL DAMAGE THE PCM TERMINALS RESULTING IN POOR TERMINAL TO PIN CONNECTION. INSTALL MILLER SPECIAL TOOL #8815 TO PERFORM DIAGNOSIS. Measure the resistance of the Speed Sensor Ground circuit from the appropriate terminal of special tool #8815 to the Output Speed Sensor harness connector. Is the resistance above 5.0 ohms?</p> <p>Yes → Repair the Speed Sensor Ground circuit for an open. Perform 41TE (NGC) TRANSMISSION VERIFICATION TEST - VER 1.</p> <p>No → Go To 7</p>	All
7	<p>Turn the ignition off to the lock position. Disconnect the PCM harness connector. Disconnect the Output Speed Sensor harness connector. Note: Check connectors - Clean/repair as necessary. CAUTION: DO NOT PROBE THE PCM HARNESS CONNECTORS. PROBING THE PCM HARNESS CONNECTORS WILL DAMAGE THE PCM TERMINALS RESULTING IN POOR TERMINAL TO PIN CONNECTION. INSTALL MILLER SPECIAL TOOL #8815 TO PERFORM DIAGNOSIS. Measure the resistance between ground and the Output Speed Sensor Signal circuit. Is the resistance below 5.0 ohms?</p> <p>Yes → Repair the Output Speed Sensor Signal circuit for a short to ground. Perform 41TE (NGC) TRANSMISSION VERIFICATION TEST - VER 1.</p> <p>No → Go To 8</p>	All
8	<p>Turn the ignition off to the lock position. Disconnect the PCM harness connector. Disconnect the Output Speed Sensor harness connector. Remove the Transmission Control Relay. Note: Check connectors - Clean/repair as necessary. Connect a jumper wire between the Fused B+ circuit and Transmission Control Relay Output circuit in the Transmission Control Relay connector. Ignition on, engine not running. CAUTION: DO NOT PROBE THE PCM HARNESS CONNECTORS. PROBING THE PCM HARNESS CONNECTORS WILL DAMAGE THE PCM TERMINALS RESULTING IN POOR TERMINAL TO PIN CONNECTION. INSTALL MILLER SPECIAL TOOL #8815 TO PERFORM DIAGNOSIS. Measure the voltage of the Output Speed Sensor Signal circuit. Is the voltage above 0.5 volt?</p> <p>Yes → Repair the Output Speed Sensor Signal circuit for a short to voltage. Perform 41TE (NGC) TRANSMISSION VERIFICATION TEST - VER 1.</p> <p>No → Go To 9</p>	All

P0720-OUTPUT SPEED SENSOR ERROR — Continued

TEST	ACTION	APPLICABILITY
9	<p>Turn the ignition off to the lock position. Disconnect the PCM harness connector. Disconnect the TRS harness connector. Remove the Transmission Control Relay. Note: Check connectors - Clean/repair as necessary. Connect a jumper wire between the Fused B+ and Transmission Control Relay Output circuits in the Transmission Control Relay connector. Ignition on, engine not running. CAUTION: DO NOT PROBE THE PCM HARNESS CONNECTORS. PROBING THE PCM HARNESS CONNECTORS WILL DAMAGE THE PCM TERMINALS RESULTING IN POOR TERMINAL TO PIN CONNECTION. INSTALL MILLER SPECIAL TOOL #8815 TO PERFORM DIAGNOSIS. Measure the voltage of the Speed Sensor Ground circuit. Is the voltage above 0.5 volts?</p> <p style="padding-left: 40px;">Yes → Repair the Speed Sensor Ground circuit for a short to voltage. Perform 41TE (NGC) TRANSMISSION VERIFICATION TEST - VER 1.</p> <p style="padding-left: 40px;">No → Go To 10</p>	All
10	<p>Using the schematics as a guide, inspect the wiring and connectors. Repair as necessary. Pay particular attention to all power and ground circuits. If there are no possible causes remaining, view repair.</p> <p style="padding-left: 40px;">Repair Replace the Powertrain Control Module per the Service Information. WITH THE DRBIII® PERFORM QUICK LEARN AND REPROGRAM PINION FACTOR. Perform 41TE (NGC) TRANSMISSION VERIFICATION TEST - VER 1.</p>	All
11	<p>The conditions necessary to set the DTC are not present at this time. Using the schematics as a guide, inspect the wiring and connectors specific to this circuit. Wiggle the wiring and connectors while checking for shorted and open circuits. With the DRBIII®, check the EATX EVENT DATA to help identify the conditions in which the DTC was set. Were there any problems found?</p> <p style="padding-left: 40px;">Yes → Repair as necessary. Perform 41TE (NGC) TRANSMISSION VERIFICATION TEST - VER 1.</p> <p style="padding-left: 40px;">No → Test Complete.</p>	All

Symptom:

P0725-ENGINE SPEED SENSOR CIRCUIT

When Monitored and Set Condition:

P0725-ENGINE SPEED SENSOR CIRCUIT

When Monitored: Whenever the engine is running.

Set Condition: The Engine RPM is less than 390 or greater than 8000 for more than 2 seconds while the engine is running.

POSSIBLE CAUSES

ENGINE DTCS PRESENT
 POWERTRAIN CONTROL MODULE
 INTERMITTENT WIRING AND CONNECTORS

TEST	ACTION	APPLICABILITY
1	<p>NOTE: Low fluid level can be the cause of many transmission problems. If the fluid level is low locate and repair the leak then check and adjust the fluid level per the Service Information.</p> <p>NOTE: Always perform diagnostics with a fully charged battery to avoid false symptoms.</p> <p>With the DRBIII®, read Engine DTC's. Check and repair all Engine DTC's prior to performing any transmission symptom diagnostics.</p> <p>With the DRBIII®, read Transmission DTC's. Record all DTC's and 1 Trip Failures.</p> <p>NOTE: Diagnose 1 Trip Failures as a fully matured DTC.</p> <p>Using the wiring diagram/schematic as a guide, inspect the wiring and connectors. Repair as necessary.</p> <p>Perform the Shift Lever Position Test. If the test does not pass, refer to Symptom test for P0706 Check Shifter Signal.</p> <p>For Gear Ratio DTC's, check and record all CVI's.</p> <p>Most DTC's set on start up but some must be set by driving the vehicle such that all diagnostic monitors have run.</p> <p>NOTE: Verify flash level of Powertrain Control Module. Some problems are corrected by software upgrades to the Transmission and Engine software.</p> <p>NOTE: Check for applicable TSB's related to the problem.</p> <p>Perform this procedure prior to Symptom diagnosis.</p> <p style="text-align: center;">Continue Go To 2</p>	All
2	<p>Start the engine.</p> <p>NOTE: This DTC is not a Transmission Input Speed Sensor DTC.</p> <p>With the DRBIII®, Check the STARTS SINCE SET counter for P0725.</p> <p>NOTE: This counter only applies to the last DTC set.</p> <p>Is the STARTS SINCE SET counter for P0725 set at 0?</p> <p style="text-align: center;">Yes → Go To 3 No → Go To 5</p>	All

P0725-ENGINE SPEED SENSOR CIRCUIT — Continued

TEST	ACTION	APPLICABILITY
3	<p>With the DRBIII®, read Engine DTCs. Are there any Engine DTC's present?</p> <p>Yes → Refer to the Powertrain category and perform the appropriate symptom. Perform 41TE (NGC) TRANSMISSION VERIFICATION TEST - VER 1.</p> <p>No → Go To 4</p>	All
4	<p>Using the schematics as a guide, inspect the wiring and connectors. Repair as necessary. Pay particular attention to all power and ground circuits. If there are no possible causes remaining, view repair.</p> <p>Repair</p> <p>Replace the Powertrain Control Module per the Service Information. WITH THE DRBIII® PERFORM QUICK LEARN AND REPROGRAM PINION FACTOR. Perform 41TE (NGC) TRANSMISSION VERIFICATION TEST - VER 1.</p>	All
5	<p>The conditions necessary to set the DTC are not present at this time. Using the schematics as a guide, inspect the wiring and connectors specific to this circuit. Wiggle the wiring and connectors while checking for shorted and open circuits. With the DRBIII®, check the EATX EVENT DATA to help identify the conditions in which the DTC was set. Were there any problems found?</p> <p>Yes → Repair as necessary. Perform 41TE (NGC) TRANSMISSION VERIFICATION TEST - VER 1.</p> <p>No → Test Complete.</p>	All

Symptom:

P0731-GEAR RATIO ERROR IN 1ST

When Monitored and Set Condition:

P0731-GEAR RATIO ERROR IN 1ST

When Monitored: The Transmission gear ratio is monitored continuously while the transmission is in gear.

Set Condition: If the ratio of the Input RPM to the Output RPM does not match the current gear ratio.

POSSIBLE CAUSES

RELATED DTC'S PRESENT
 INTERNAL TRANSMISSION
 INTERMITTENT GEAR RATIO ERRORS

TEST	ACTION	APPLICABILITY
1	<p>NOTE: Low fluid level can be the cause of many transmission problems. If the fluid level is low locate and repair the leak then check and adjust the fluid level per the Service Information.</p> <p>NOTE: Always perform diagnostics with a fully charged battery to avoid false symptoms.</p> <p>With the DRBIII®, read Engine DTC's. Check and repair all Engine DTC's prior to performing any transmission symptom diagnostics.</p> <p>With the DRBIII®, read Transmission DTC's. Record all DTC's and 1 Trip Failures.</p> <p>NOTE: Diagnose 1 Trip Failures as a fully matured DTC.</p> <p>Using the wiring diagram/schematic as a guide, inspect the wiring and connectors. Repair as necessary.</p> <p>Perform the Shift Lever Position Test. If the test does not pass, refer to Symptom test for P0706 Check Shifter Signal.</p> <p>For Gear Ratio DTC's, check and record all CVI's.</p> <p>Most DTC's set on start up but some must be set by driving the vehicle such that all diagnostic monitors have run.</p> <p>NOTE: Verify flash level of Powertrain Control Module. Some problems are corrected by software upgrades to the Transmission and Engine software.</p> <p>NOTE: Check for applicable TSB's related to the problem.</p> <p>Perform this procedure prior to Symptom diagnosis.</p> <p style="text-align: center;">Continue Go To 2</p>	All

P0731-GEAR RATIO ERROR IN 1ST — Continued

TEST	ACTION	APPLICABILITY
2	<p>With the DRBIII®, read Transmission DTC's. If any of these DTC's are present, perform their respective tests first. Are there any Loss of Prime, Line Pressure Sensor and/or Speed Sensor DTCs present?</p> <p>Yes → Refer to appropriate symptom in the Transmission category. If any of these DTC's are present, they will cause a gear ratio error. Perform the test for Loss of Prime first if it is present. Perform 41TE (NGC) TRANSMISSION VERIFICATION TEST - VER 1.</p> <p>No → Go To 3</p>	All
3	<p>With the DRBIII®, perform the 1st gear clutch test. Follow the instructions on the DRBIII®. Increase the throttle angle or TPS Degree to 30° for no more than a few seconds. CAUTION: Do not overheat the transmission. Did the Clutch Test pass, Input Speed remain at zero?</p> <p>Yes → Go To 4</p> <p>No → Go To 5</p>	All
4	<p>The conditions to set this DTC are not current at this time. Check the gearshift linkage adjustment. Gear ratio DTC's can be set by problems in the Input and Output Speed Sensor circuits. If the vehicle passes the Clutch Test and still sets Gear Ratio DTC, check the Speed Sensors for proper operation. Remove the Starter Relay. CAUTION: Removal of the Starter Relay is to prevent a Transmission, NO RESPONSE, condition and disable the starter. Check the wiring and connectors for the Speed Sensors for a good connection, then perform a wiggle test using the Transmission Simulator, Miller tool #8333 and the Electronic Transmission Adapter kit 8333-1A. This DTC can also be set under extreme temperature conditions, this is usually caused by an internal problem. Verify if the problem is only experienced under extreme hot or cold conditions. With the DRBIII®, check the EATX EVENT DATA to help identify the conditions in which the DTC was set. Were there any problems found?</p> <p>Yes → Repair as necessary. Perform 41TE (NGC) TRANSMISSION VERIFICATION TEST - VER 1.</p> <p>No → Test Complete.</p>	All
5	<p>If there are no possible causes remaining, view repair.</p> <p>Repair</p> <p>Repair internal Transmission per the Service Information. Check all of the components related to the UD and LR clutches. Inspect the Oil Pump and repair or replace per the Service Information. Perform 41TE (NGC) TRANSMISSION VERIFICATION TEST - VER 1.</p>	All

Symptom:

P0732-GEAR RATIO ERROR IN 2ND

When Monitored and Set Condition:

P0732-GEAR RATIO ERROR IN 2ND

When Monitored: The Transmission gear ratio is monitored continuously while the Transmission is in gear.

Set Condition: If the ratio of the Input RPM to the Output RPM does not match the current gear ratio.

POSSIBLE CAUSES

RELATED DTC'S PRESENT

TRANSMISSION SOLENOID/PRESSURE SWITCH ASSEMBLY

INTERNAL TRANSMISSION

INTERMITTENT GEAR RATIO ERRORS

TEST	ACTION	APPLICABILITY
1	<p>NOTE: Low fluid level can be the cause of many transmission problems. If the fluid level is low locate and repair the leak then check and adjust the fluid level per the Service Information.</p> <p>NOTE: Always perform diagnostics with a fully charged battery to avoid false symptoms.</p> <p>With the DRBIII®, read Engine DTC's. Check and repair all Engine DTC's prior to performing any transmission symptom diagnostics.</p> <p>With the DRBIII®, read Transmission DTC's. Record all DTC's and 1 Trip Failures.</p> <p>NOTE: Diagnose 1 Trip Failures as a fully matured DTC.</p> <p>Using the wiring diagram/schematic as a guide, inspect the wiring and connectors. Repair as necessary.</p> <p>Perform the Shift Lever Position Test. If the test does not pass, refer to Symptom test for P0706 Check Shifter Signal.</p> <p>For Gear Ratio DTC's, check and record all CVI's.</p> <p>Most DTC's set on start up but some must be set by driving the vehicle such that all diagnostic monitors have run.</p> <p>NOTE: Verify flash level of Powertrain Control Module. Some problems are corrected by software upgrades to the Transmission and Engine software.</p> <p>NOTE: Check for applicable TSB's related to the problem.</p> <p>Perform this procedure prior to Symptom diagnosis.</p> <p style="text-align: center;">Continue Go To 2</p>	All

P0732-GEAR RATIO ERROR IN 2ND — Continued

TEST	ACTION	APPLICABILITY
2	<p>With the DRBIII®, read Transmission DTC's. If any of these DTC's are present, perform their respective tests first. Are there any Loss of Prime, Line Pressure Sensor and/or Speed Sensor DTCs present?</p> <p>Yes → Refer to the Transmission category and perform the appropriate symptom. If any of these DTC's are present, they will cause a gear ratio error. Perform the test for Loss of Prime first if it is present. Perform 41TE (NGC) TRANSMISSION VERIFICATION TEST - VER 1.</p> <p>No → Go To 3</p>	All
3	<p>With the DRBIII®, perform the 2nd gear clutch test. Follow the instructions on the DRBIII®. Increase the throttle angle or TPS Degree to 30° for no more than a few seconds. CAUTION: Do not overheat the transmission. Did the Clutch Test pass - Input Speed remain at zero?</p> <p>Yes → Go To 4</p> <p>No → Go To 5</p>	All
4	<p>The conditions to set this DTC are not current at this time. Check the Gearshift Linkage adjustment. Gear ratio DTC's can be set by problems in the Input and Output Speed Sensor circuits. If the vehicle passes the Clutch Test and still sets Gear Ratio DTC's, check the Speed Sensors for proper operation. Remove the Starter Relay. CAUTION: Removal of the Starter Relay is to prevent a Transmission, NO RESPONSE, condition and disable the starter. Check the Speed Sensor wiring and connectors for good connection, then perform a wiggle test using the Transmission Simulator, Miller tool #8333 and the Electronic Transmission Adapter kit 8333-1A. This DTC can also be set under extreme temperature conditions, this is usually caused by an internal problem. Verify if the problem is only experienced under extreme hot or cold conditions. Check for any Technical Service Bulletins (TSBs) that may apply. With the DRBIII®, check the EATX EVENT DATA to help identify the conditions in which the DTC was set. Were there any problems found?</p> <p>Yes → Repair as necessary. Perform 41TE (NGC) TRANSMISSION VERIFICATION TEST - VER 1.</p> <p>No → Test Complete.</p>	All
5	<p>With the DRBIII®, read Transmission DTC's. Are the DTC's P0845 and/or P0846 present also?</p> <p>Yes → Replace the Transmission Solenoid/Pressure Switch Assembly per the Service Information. Perform 41TE (NGC) TRANSMISSION VERIFICATION TEST - VER 1.</p> <p>No → Go To 6</p>	All

P0732-GEAR RATIO ERROR IN 2ND — Continued

TEST	ACTION	APPLICABILITY
6	<p>If there are no possible causes remaining, view repair.</p> <p style="padding-left: 40px;">Repair</p> <p style="padding-left: 40px;">Repair internal transmission per the Service Information. Check all of the components related to the UD and 2/4 clutches. Inspect the Oil Pump and repair or replace per the Service Information. Perform 41TE (NGC) TRANSMISSION VERIFICATION TEST - VER 1.</p>	All

Symptom:
P0733-GEAR RATIO ERROR IN 3RD

When Monitored and Set Condition:

P0733-GEAR RATIO ERROR IN 3RD

When Monitored: The Transmission gear ratio is monitored continuously while the Transmission is in gear.

Set Condition: If the ratio of the Input RPM to the Output RPM does not match the current gear ratio.

POSSIBLE CAUSES

RELATED DTC'S PRESENT
 TRANSMISSION SOLENOID/PRESSURE SWITCH ASSEMBLY
 INTERNAL TRANSMISSION
 INTERMITTENT GEAR RATIO ERRORS

TEST	ACTION	APPLICABILITY
1	<p>NOTE: Low fluid level can be the cause of many transmission problems. If the fluid level is low locate and repair the leak then check and adjust the fluid level per the Service Information.</p> <p>NOTE: Always perform diagnostics with a fully charged battery to avoid false symptoms.</p> <p>With the DRBIII®, read Engine DTC's. Check and repair all Engine DTC's prior to performing any transmission symptom diagnostics.</p> <p>With the DRBIII®, read Transmission DTC's. Record all DTC's and 1 Trip Failures.</p> <p>NOTE: Diagnose 1 Trip Failures as a fully matured DTC.</p> <p>Using the wiring diagram/schematic as a guide, inspect the wiring and connectors. Repair as necessary.</p> <p>Perform the Shift Lever Position Test. If the test does not pass, refer to Symptom test for P0706 Check Shifter Signal.</p> <p>For Gear Ratio DTC's, check and record all CVI's.</p> <p>Most DTC's set on start up but some must be set by driving the vehicle such that all diagnostic monitors have run.</p> <p>NOTE: Verify flash level of Powertrain Control Module. Some problems are corrected by software upgrades to the Transmission and Engine software.</p> <p>NOTE: Check for applicable TSB's related to the problem.</p> <p>Perform this procedure prior to Symptom diagnosis.</p> <p style="text-align: center;">Continue Go To 2</p>	All

P0733-GEAR RATIO ERROR IN 3RD — Continued

TEST	ACTION	APPLICABILITY
2	<p>With the DRBIII®, read Transmission DTC's. If any of these DTC's are present, perform their respective tests first. Are there any Loss of Prime, Line Pressure Sensor and/or Speed Sensor DTCs present?</p> <p>Yes → Refer to appropriate symptom in the Transmission category. If any of these DTC's are present, they will cause a gear ratio error. Perform the test for Loss of Prime DTC first if it is present. Perform 41TE (NGC) TRANSMISSION VERIFICATION TEST - VER 1.</p> <p>No → Go To 3</p>	All
3	<p>With the DRBIII®, perform the 3rd Gear Clutch test. Follow the instructions on the DRBIII®. Increase the throttle angle or TPS Degree to 30° for no more than a few seconds. CAUTION: Do not overheat the transmission. Did the clutch test pass, Input Speed remain at zero?</p> <p>Yes → Go To 4</p> <p>No → Go To 5</p>	All
4	<p>The conditions to set this DTC are not current at this time. Check the gearshift linkage adjustment. Gear ratio DTC's can be set by problems in the input and output speed sensor circuits. If the vehicle passes the clutch test and still sets gear ratio DTC's, check the Speed Sensors for proper operation. Remove the Starter Relay. CAUTION: Removal of the Starter Relay is to prevent a Transmission, NO RESPONSE, condition and disable the starter. Check the speed sensor wiring and connectors for good connection, then perform a wiggle test using the Transmission Simulator, Miller tool #8333 and the Electronic Transmission Adapter kit 8333-1A. This DTC can also be set under extreme temperature conditions, this is usually caused by an internal problem. Verify if the problem is only experienced under extreme hot or cold conditions. With the DRBIII®, check the EATX EVENT DATA to help identify the conditions in which the DTC was set. Were there any problems found?</p> <p>Yes → Repair as necessary. Perform 41TE (NGC) TRANSMISSION VERIFICATION TEST - VER 1.</p> <p>No → Test Complete.</p>	All
5	<p>With the DRBIII®, read Transmission DTC's. Are the DTC's P0870 and/or P0871 present also?</p> <p>Yes → Replace the Transmission Solenoid/Pressure Switch Assembly per the Service Information. Perform 41TE (NGC) TRANSMISSION VERIFICATION TEST - VER 1.</p> <p>No → Go To 6</p>	All

P0733-GEAR RATIO ERROR IN 3RD — Continued

TEST	ACTION	APPLICABILITY
6	If there are no possible causes remaining, view repair. Repair Repair internal transmission per the Service Information. Check all of the components related to the UD and OD clutches. Inspect the Oil Pump and repair or replace per the Service Information. Perform 41TE (NGC) TRANSMISSION VERIFICATION TEST - VER 1.	All

Symptom:

P0734-GEAR RATIO ERROR IN 4TH

When Monitored and Set Condition:

P0734-GEAR RATIO ERROR IN 4TH

When Monitored: The Transmission gear ratio is monitored continuously while the Transmission is in gear.

Set Condition: If the ratio of the Input RPM to the Output RPM does not match the current gear ratio.

POSSIBLE CAUSES

RELATED DTC'S PRESENT
 TRANSMISSION SOLENOID/PRESSURE SWITCH ASSEMBLY
 INTERNAL TRANSMISSION
 INTERMITTENT GEAR RATIO ERRORS

TEST	ACTION	APPLICABILITY
1	<p>NOTE: Low fluid level can be the cause of many transmission problems. If the fluid level is low locate and repair the leak then check and adjust the fluid level per the Service Information.</p> <p>NOTE: Always perform diagnostics with a fully charged battery to avoid false symptoms.</p> <p>With the DRBIII®, read Engine DTC's. Check and repair all Engine DTC's prior to performing any transmission symptom diagnostics.</p> <p>With the DRBIII®, read Transmission DTC's. Record all DTC's and 1 Trip Failures.</p> <p>NOTE: Diagnose 1 Trip Failures as a fully matured DTC.</p> <p>Using the wiring diagram/schematic as a guide, inspect the wiring and connectors. Repair as necessary.</p> <p>Perform the Shift Lever Position Test. If the test does not pass, refer to Symptom test for P0706 Check Shifter Signal.</p> <p>For Gear Ratio DTC's, check and record all CVI's.</p> <p>Most DTC's set on start up but some must be set by driving the vehicle such that all diagnostic monitors have run.</p> <p>NOTE: Verify flash level of Powertrain Control Module. Some problems are corrected by software upgrades to the Transmission and Engine software.</p> <p>NOTE: Check for applicable TSB's related to the problem.</p> <p>Perform this procedure prior to Symptom diagnosis.</p> <p>Continue Go To 2</p>	All

P0734-GEAR RATIO ERROR IN 4TH — Continued

TEST	ACTION	APPLICABILITY
2	<p>With the DRBIII®, read Transmission DTC's. If any of these DTC's are present, perform their respective tests first. Are there any Loss of Prime, Line Pressure Sensor and/or Speed Sensor DTCs present?</p> <p>Yes → Refer to the Transmission category and perform the appropriate symptom. If any of these DTC's are present, they will cause a gear ratio error. Perform the test for Loss of Prime first if it is present. Perform 41TE (NGC) TRANSMISSION VERIFICATION TEST - VER 1.</p> <p>No → Go To 3</p>	All
3	<p>With the DRBIII®, perform the 4th gear clutch test. Follow the instructions on the DRBIII®. Increase the throttle angle or TPS Degree to 30° for no more than a few seconds. CAUTION: Do not overheat the transmission. Did the clutch test pass - Input Speed remain at zero?</p> <p>Yes → Go To 4</p> <p>No → Go To 5</p>	All
4	<p>The conditions to set this DTC are not current at this time. Check the gearshift linkage adjustment. Gear ratio DTC's can be set by problems in the Input and Output Speed Sensor circuits. If the vehicle passes the clutch test and still sets gear ratio DTC's, check the Speed Sensors for proper operation. Remove the Starter Relay. CAUTION: Removal of the Starter Relay is to prevent a Transmission, NO RESPONSE, condition and disable the starter. Check the Speed Sensor wiring and connectors for good connection, then perform a wiggle test using the Transmission Simulator, Miller tool #8333 and the Electronic Transmission Adapter kit 8333-1A. This DTC can also be set under extreme temperature conditions, this is usually caused by an internal problem. Verify if the problem is only experienced under extreme hot or cold conditions. With the DRBIII®, check the EATX EVENT DATA to help identify the conditions in which the DTC was set. Were there any problems found?</p> <p>Yes → Repair as necessary. Perform 41TE (NGC) TRANSMISSION VERIFICATION TEST - VER 1.</p> <p>No → Test Complete.</p>	All
5	<p>With the DRBIII®, read Transmission DTC's. Are the DTC's P0870 and/or P0871 present also?</p> <p>Yes → Replace the Solenoid/Pressure Switch Assembly per the Service Information. Perform 41TE (NGC) TRANSMISSION VERIFICATION TEST - VER 1.</p> <p>No → Go To 6</p>	All

P0734-GEAR RATIO ERROR IN 4TH — Continued

TEST	ACTION	APPLICABILITY
6	<p>If there are no possible causes remaining, view repair.</p> <p>Repair</p> <p>Repair internal transmission per the Service Information. Check all of the components related to the OD and 2/4 clutches. Inspect the Oil Pump and repair or replace per the Service Information. Perform 41TE (NGC) TRANSMISSION VERIFICATION TEST - VER 1.</p>	All

Symptom:**P0736-GEAR RATIO ERROR IN REVERSE****When Monitored and Set Condition:****P0736-GEAR RATIO ERROR IN REVERSE**

When Monitored: The Transmission gear ratio is monitored continuously while the Transmission is in gear.

Set Condition: If the ratio of the Input RPM to the Output RPM does not match the current gear ratio.

POSSIBLE CAUSES

RELATED DTC'S PRESENT
INTERNAL TRANSMISSION
INTERMITTENT GEAR RATIO ERRORS

TEST	ACTION	APPLICABILITY
1	<p>NOTE: Low fluid level can be the cause of many transmission problems. If the fluid level is low locate and repair the leak then check and adjust the fluid level per the Service Information.</p> <p>NOTE: Always perform diagnostics with a fully charged battery to avoid false symptoms.</p> <p>With the DRBIII®, read Engine DTC's. Check and repair all Engine DTC's prior to performing any transmission symptom diagnostics.</p> <p>With the DRBIII®, read Transmission DTC's. Record all DTC's and 1 Trip Failures.</p> <p>NOTE: Diagnose 1 Trip Failures as a fully matured DTC.</p> <p>Using the wiring diagram/schematic as a guide, inspect the wiring and connectors. Repair as necessary.</p> <p>Perform the Shift Lever Position Test. If the test does not pass, refer to Symptom test for P0706 Check Shifter Signal.</p> <p>For Gear Ratio DTC's, check and record all CVI's.</p> <p>Most DTC's set on start up but some must be set by driving the vehicle such that all diagnostic monitors have run.</p> <p>NOTE: Verify flash level of Powertrain Control Module. Some problems are corrected by software upgrades to the Transmission and Engine software.</p> <p>NOTE: Check for applicable TSB's related to the problem.</p> <p>Perform this procedure prior to Symptom diagnosis.</p> <p>Continue Go To 2</p>	All

P0736-GEAR RATIO ERROR IN REVERSE — Continued

TEST	ACTION	APPLICABILITY
2	<p>With the DRBIII®, read Transmission DTC's. If any of these DTC's are present, perform their respective tests first. Are there any Loss of Prime, Line Pressure Sensor and/or Speed Sensor DTCs present?</p> <p>Yes → Refer to the Transmission category and perform the appropriate symptom. If any of these DTC's are present, they will cause a gear ratio error. Perform the test for Loss of Prime first if it is present. Perform 41TE (NGC) TRANSMISSION VERIFICATION TEST - VER 1.</p> <p>No → Go To 3</p>	All
3	<p>With the DRBIII®, perform the Reverse Gear Clutch test. Follow the instructions on the DRBIII®. Increase the throttle angle or TPS Degree to 30° for no more than a few seconds. CAUTION: Do not overheat the transmission. Did the clutch test pass - Input Speed remain at zero?</p> <p>Yes → Go To 4</p> <p>No → Go To 5</p>	All
4	<p>The conditions to set this DTC are not current at this time. Check the gearshift linkage adjustment. Gear ratio DTC's can be set by problems in the Input and Output Speed Sensor circuits. If the vehicle passes the clutch test and still sets gear ratio DTC's, check the Speed Sensors for proper operation. Remove the Starter Relay. With the DRBIII®, check the EATX EVENT DATA to help identify the conditions in which the DTC was set. Check the Speed Sensor wiring and connectors for good connection, then perform a wiggle test using the Transmission Simulator, Miller tool #8333 and Electronic Transmission Adapter kit, Miller tool #8333-1. This DTC can also be set under extreme temperature conditions, this is usually caused by an internal problem. Verify if the problem is only experienced under extreme hot or cold conditions. With the DRBIII®, check the EATX EVENT DATA to help identify the conditions in which the DTC was set. Were there any problems found?</p> <p>Yes → Repair as necessary. Perform 41TE (NGC) TRANSMISSION VERIFICATION TEST - VER 1.</p> <p>No → Test Complete.</p>	All
5	<p>If there are no possible causes remaining, view repair.</p> <p>Repair</p> <p>Repair internal transmission per the Service Information. Check all of the components related to the Reverse and LR clutches. Inspect the Oil Pump and repair or replace per the Service Information. Perform 41TE (NGC) TRANSMISSION VERIFICATION TEST - VER 1.</p>	All

Symptom:
P0740-TCC OUT OF RANGE

When Monitored and Set Condition:

P0740-TCC OUT OF RANGE

When Monitored: The Torque Converter Clutch (TCC) is in FEMCC or PEMCC, Transmission temperature is hot, Engine temperature is greater than 38° C or 100° F, Transmission Input Speed greater than 1750 RPM, TPS less than 30°.

Set Condition: The TCC is modulated by controlling the duty cycle of the L/R Solenoid until the difference between the Engine and the Transmission Input Speed RPM or duty cycle is within a desired range. The DTC is set after the period of 10 seconds and 3 occurrences of either: FEMCC - with slip greater than 100 RPM or PEMCC - duty cycle greater than 85%.

POSSIBLE CAUSES

RELATED DTC'S PRESENT
 INTERNAL TRANSMISSION
 INTERMITTENT WIRING AND CONNECTORS

TEST	ACTION	APPLICABILITY
1	<p>NOTE: Low fluid level can be the cause of many transmission problems. If the fluid level is low locate and repair the leak then check and adjust the fluid level per the Service Information.</p> <p>NOTE: Always perform diagnostics with a fully charged battery to avoid false symptoms.</p> <p>With the DRBIII®, read Engine DTC's. Check and repair all Engine DTC's prior to performing any transmission symptom diagnostics.</p> <p>With the DRBIII®, read Transmission DTC's. Record all DTC's and 1 Trip Failures.</p> <p>NOTE: Diagnose 1 Trip Failures as a fully matured DTC.</p> <p>Using the wiring diagram/schematic as a guide, inspect the wiring and connectors. Repair as necessary.</p> <p>Perform the Shift Lever Position Test. If the test does not pass, refer to Symptom test for P0706 Check Shifter Signal.</p> <p>For Gear Ratio DTC's, check and record all CVI's.</p> <p>Most DTC's set on start up but some must be set by driving the vehicle such that all diagnostic monitors have run.</p> <p>NOTE: Verify flash level of Powertrain Control Module. Some problems are corrected by software upgrades to the Transmission and Engine software.</p> <p>NOTE: Check for applicable TSB's related to the problem.</p> <p>Perform this procedure prior to Symptom diagnosis.</p> <p>Continue Go To 2</p>	All

P0740-TCC OUT OF RANGE — Continued

TEST	ACTION	APPLICABILITY
2	<p>With the DRBIII®, read Transmission DTC's Are the DTC's P0750 and/or P0841 present also?</p> <p>Yes → Refer to the Transmission category and perform the appropriate symptom. Perform 41TE (NGC) TRANSMISSION VERIFICATION TEST - VER 1.</p> <p>No → Go To 3</p>	All
3	<p>Ignition on, engine not running. With the DRBIII®, record and erase DTC's. Drive the vehicle until it is fully warmed up. At least 110 degrees. Perform the following step 3 times. Drive the vehicle at 50 MPH and allow 4th gear to engage for at least 10 seconds. Close the throttle, then tip back in until the throttle angle is between 25 and 29 degrees. Note that if you go over 30 degrees, you must back off of the throttle and retry. Did the TCC engage during any of the attempts?</p> <p>Yes → Go To 4</p> <p>No → Go To 5</p>	All
4	<p>The conditions necessary to set the DTC are not present at this time. Using the schematics as a guide, inspect the wiring and connectors specific to this circuit. Wiggle the wiring and connectors while checking for shorted and open circuits. This DTC can also be set under extreme temperature conditions, this is usually caused by an internal problem. Verify if the problem is only experienced under extreme hot or cold conditions. With the DRBIII®, check the EATX EVENT DATA to help identify the conditions in which the DTC was set. Were there any problems found?</p> <p>Yes → Repair as necessary. Perform 41TE (NGC) TRANSMISSION VERIFICATION TEST - VER 1.</p> <p>No → Test Complete.</p>	All
5	<p>If there are no possible causes remaining, view repair.</p> <p>Repair</p> <p>Perform the Hydraulic Pressure test per the Service Information and repair the internal transmission components and Torque convertor as necessary. Perform 41TE (NGC) TRANSMISSION VERIFICATION TEST - VER 1.</p>	All

Symptom:
P0750-LR SOLENOID CIRCUIT

When Monitored and Set Condition:

P0750-LR SOLENOID CIRCUIT

When Monitored: Initially at power-up, then every 10 seconds thereafter. The solenoids will also be tested immediately after a gear ratio or pressure switch error is detected.

Set Condition: Three consecutive solenoid continuity test failures, or one failure if test is run in response to a gear ratio or pressure switch error.

POSSIBLE CAUSES

- RELATED RELAY DTC'S PRESENT
- TRANSMISSION CONTROL RELAY OUTPUT CIRCUIT OPEN
- LR SOLENOID CONTROL CIRCUIT OPEN
- LR SOLENOID CONTROL CIRCUIT SHORT TO GROUND
- LR SOLENOID CONTROL CIRCUIT SHORT TO VOLTAGE
- LR SOLENOID/PRESSURE SWITCH ASSEMBLY
- POWERTRAIN CONTROL MODULE
- INTERMITTENT WIRING AND CONNECTORS

TEST	ACTION	APPLICABILITY
1	<p>NOTE: Low fluid level can be the cause of many transmission problems. If the fluid level is low locate and repair the leak then check and adjust the fluid level per the Service Information.</p> <p>NOTE: Always perform diagnostics with a fully charged battery to avoid false symptoms.</p> <p>With the DRBIII®, read Engine DTC's. Check and repair all Engine DTC's prior to performing any transmission symptom diagnostics.</p> <p>With the DRBIII®, read Transmission DTC's. Record all DTC's and 1 Trip Failures.</p> <p>NOTE: Diagnose 1 Trip Failures as a fully matured DTC.</p> <p>Using the wiring diagram/schematic as a guide, inspect the wiring and connectors. Repair as necessary.</p> <p>Perform the Shift Lever Position Test. If the test does not pass, refer to Symptom test for P0706 Check Shifter Signal.</p> <p>For Gear Ratio DTC's, check and record all CVT's.</p> <p>Most DTC's set on start up but some must be set by driving the vehicle such that all diagnostic monitors have run.</p> <p>NOTE: Verify flash level of Powertrain Control Module. Some problems are corrected by software upgrades to the Transmission and Engine software.</p> <p>NOTE: Check for applicable TSB's related to the problem.</p> <p>Perform this procedure prior to Symptom diagnosis.</p> <p style="text-align: center;">Continue Go To 2</p>	All

P0750-LR SOLENOID CIRCUIT — Continued

TEST	ACTION	APPLICABILITY
2	<p>With the DRBIII®, read Transmission DTC's Are there any Transmission Control Relay DTC's present also?</p> <p>Yes → Refer to the Transmission category and perform the appropriate symptom. Perform 41TE (NGC) TRANSMISSION VERIFICATION TEST - VER 1.</p> <p>No → Go To 3</p>	All
3	<p>With the DRBIII®, Check the STARTS SINCE SET counter. NOTE: This counter only applies to the last DTC set. Is the STARTS SINCE SET counter for P0750 set at 0?</p> <p>Yes → Go To 4</p> <p>No → Go To 11</p>	All
4	<p>Turn the ignition off to the lock position. Remove the Starter Relay. CAUTION: Removal of the Starter Relay is to prevent a Transmission, NO RESPONSE, condition and disable the starter. Install the Transmission Simulator, Miller tool #8333 and the Electronic Transmission Adapter kit 8333-1A. Ignition on, engine not running. With the DRBIII®, actuate the L/R Solenoid. Monitor the L/R Solenoid LED on the Transmission Simulator. Did the L/R Solenoid LED on the Transmission Simulator blink on and off during actuation?</p> <p>Yes → Go To 5</p> <p>No → Go To 6</p>	All
5	<p>If there are no possible causes remaining, view repair.</p> <p>Repair</p> <p>Replace the Transmission Solenoid/Pressure Switch Assembly per the Service Information. Perform 41TE (NGC) TRANSMISSION VERIFICATION TEST - VER 1.</p>	All
6	<p>Turn the ignition off to the lock position. Disconnect the PCM harness connector. Disconnect the Transmission Solenoid/Pressure Switch Assembly harness connector. CAUTION: DO NOT PROBE THE PCM HARNESS CONNECTORS. PROBING THE PCM HARNESS CONNECTORS WILL DAMAGE THE PCM TERMINALS RESULTING IN POOR TERMINAL TO PIN CONNECTION. INSTALL MILLER SPECIAL TOOL #8815 TO PERFORM DIAGNOSIS. Measure the resistance of the LR Solenoid Control circuit from the appropriate terminal of special tool #8815 to the Solenoid/Pressure Switch Assembly harness connector. Is the resistance above 5.0 ohms?</p> <p>Yes → Repair the LR Solenoid Control circuit for an open. Perform 41TE (NGC) TRANSMISSION VERIFICATION TEST - VER 1.</p> <p>No → Go To 7</p>	All

P0750-LR SOLENOID CIRCUIT — Continued

TEST	ACTION	APPLICABILITY
7	Turn the ignition off to the lock position. Disconnect the PCM harness connector. Disconnect the Transmission Solenoid/Pressure Switch Assembly harness connector. CAUTION: DO NOT PROBE THE PCM HARNESS CONNECTORS. PROBING THE PCM HARNESS CONNECTORS WILL DAMAGE THE PCM TERMINALS RESULTING IN POOR TERMINAL TO PIN CONNECTION. INSTALL MILLER SPECIAL TOOL #8815 TO PERFORM DIAGNOSIS. Measure the resistance between ground and the LR Solenoid Control circuit. Is the resistance below 5.0 ohms? Yes → Repair the LR Solenoid Control circuit for a short to ground. Perform 41TE (NGC) TRANSMISSION VERIFICATION TEST - VER 1. No → Go To 8	All
8	Turn the ignition off to the lock position. Disconnect the PCM harness connector. Disconnect the Transmission Solenoid/Pressure Switch Assembly harness connector. Remove the Transmission Control Relay. Note: Check connectors - Clean/repair as necessary. Connect a jumper wire between the Fused B+ circuit and the Transmission Control Relay Output circuit in the Transmission Control Relay connector. Ignition on, engine not running. CAUTION: DO NOT PROBE THE PCM HARNESS CONNECTORS. PROBING THE PCM HARNESS CONNECTORS WILL DAMAGE THE PCM TERMINALS RESULTING IN POOR TERMINAL TO PIN CONNECTION. INSTALL MILLER SPECIAL TOOL #8815 TO PERFORM DIAGNOSIS. Measure the voltage of the LR Solenoid Control circuit. Is the voltage above 0.5 volts? Yes → Repair the LR Solenoid Control circuit for a short to voltage. Perform 41TE (NGC) TRANSMISSION VERIFICATION TEST - VER 1. No → Go To 9	All
9	Turn the ignition off to the lock position. Disconnect the Transmission Solenoid/Pressure Switch Assembly harness connector. Remove the Transmission Control Relay. Note: Check connectors - Clean/repair as necessary. Connect a jumper wire between the Fused B+ circuit and Transmission Control Relay Output circuit in the Transmission Control Relay connector. Using a 12-volt test light connected to ground, check the Transmission Relay Output circuit in the Transmission Solenoid/Pressure Switch harness connector. NOTE: The test light must illuminate brightly. Compare the brightness to that of a direct connection to the battery. Does the test light illuminate brightly? Yes → Go To 10 No → Repair the Transmission Control Relay Output circuit for an open. If the fuse is open make sure to check for a short to ground. Perform 41TE (NGC) TRANSMISSION VERIFICATION TEST - VER 1.	All

P0750-LR SOLENOID CIRCUIT — Continued

TEST	ACTION	APPLICABILITY
10	<p>Using the schematics as a guide, inspect the wiring and connectors. Repair as necessary. Pay particular attention to all power and ground circuits. If there are no possible causes remaining, view repair.</p> <p style="padding-left: 40px;">Repair</p> <p style="padding-left: 80px;">Replace the Powertrain Control Module per the Service Information. WITH THE DRBIII® PERFORM QUICK LEARN AND REPROGRAM PINION FACTOR.</p> <p style="padding-left: 80px;">Perform 41TE (NGC) TRANSMISSION VERIFICATION TEST - VER 1.</p>	All
11	<p>The conditions necessary to set the DTC are not present at this time. Using the schematics as a guide, inspect the wiring and connectors specific to this circuit. Wiggle the wires while checking for shorted and open circuits. With the DRBIII®, check the EATX EVENT DATA to help identify the conditions in which the DTC was set. Were there any problems found?</p> <p style="padding-left: 40px;">Yes → Repair as necessary. Perform 41TE (NGC) TRANSMISSION VERIFICATION TEST - VER 1.</p> <p style="padding-left: 40px;">No → Test Complete.</p>	All

Symptom:**P0755-2/4 SOLENOID CIRCUIT****When Monitored and Set Condition:****P0755-2/4 SOLENOID CIRCUIT**

When Monitored: Initially at power-up, then every 10 seconds thereafter. They will also be tested immediately after a gear ratio or pressure switch error is detected.

Set Condition: Three consecutive solenoid continuity test failures, or one failure if test is run in response to a gear ratio or pressure switch error.

POSSIBLE CAUSES

RELATED RELAY DTC'S PRESENT

TRANSMISSION CONTROL RELAY OUTPUT CIRCUIT OPEN

2/4 SOLENOID CONTROL CIRCUIT OPEN

2/4 SOLENOID CONTROL CIRCUIT SHORT TO GROUND

2/4 SOLENOID CONTROL CIRCUIT SHORT TO VOLTAGE

2/4 SOLENOID

POWERTRAIN CONTROL MODULE

INTERMITTENT WIRING AND CONNECTORS

TEST	ACTION	APPLICABILITY
1	<p>NOTE: Low fluid level can be the cause of many transmission problems. If the fluid level is low locate and repair the leak then check and adjust the fluid level per the Service Information.</p> <p>NOTE: Always perform diagnostics with a fully charged battery to avoid false symptoms.</p> <p>With the DRBIII®, read Engine DTC's. Check and repair all Engine DTC's prior to performing any transmission symptom diagnostics.</p> <p>With the DRBIII®, read Transmission DTC's. Record all DTC's and 1 Trip Failures.</p> <p>NOTE: Diagnose 1 Trip Failures as a fully matured DTC.</p> <p>Using the wiring diagram/schematic as a guide, inspect the wiring and connectors. Repair as necessary.</p> <p>Perform the Shift Lever Position Test. If the test does not pass, refer to Symptom test for P0706 Check Shifter Signal.</p> <p>For Gear Ratio DTC's, check and record all CVT's.</p> <p>Most DTC's set on start up but some must be set by driving the vehicle such that all diagnostic monitors have run.</p> <p>NOTE: Verify flash level of Powertrain Control Module. Some problems are corrected by software upgrades to the Transmission and Engine software.</p> <p>NOTE: Check for applicable TSB's related to the problem.</p> <p>Perform this procedure prior to Symptom diagnosis.</p> <p>Continue Go To 2</p>	All

P0755-2/4 SOLENOID CIRCUIT — Continued

TEST	ACTION	APPLICABILITY
2	With the DRBIII®, read Transmission DTC's Are there any Transmission Control Relay DTC's present also? Yes → Refer to the Transmission category and perform the appropriate symptom. Perform 41TE (NGC) TRANSMISSION VERIFICATION TEST - VER 1. No → Go To 3	All
3	With the DRBIII®, Check the STARTS SINCE SET counter for P0755. NOTE: This counter only applies to the last DTC set. Is the STARTS SINCE SET counter set at 0? Yes → Go To 4 No → Go To 11	All
4	Turn the ignition off to the lock position. Remove the Starter Relay. CAUTION: Removal of the Starter Relay is to prevent a Transmission, NO RESPONSE, condition and disable the starter. Install the Transmission Simulator, Miller tool #8333 and the Electronic Transmission Adapter kit 8333-1A. Ignition on, engine not running. With the DRBIII®, actuate the 2/4 Solenoid. With the Transmission Simulator, monitor the 2/4 Solenoid LED. Did the 2/4 Solenoid LED on the Transmission Simulator blink on and off during actuation? Yes → Go To 5 No → Go To 6	All
5	If there are no possible causes remaining, view repair. Repair Replace the Transmission Solenoid/Pressure Switch Assembly per the Service Information. Perform 41TE (NGC) TRANSMISSION VERIFICATION TEST - VER 1.	All
6	Turn the ignition off to the lock position. Disconnect the PCM harness connector. Disconnect the Transmission Solenoid/Pressure Switch Assembly harness connector. Note: Check connectors - Clean/repair as necessary. CAUTION: DO NOT PROBE THE PCM HARNESS CONNECTORS. PROBING THE PCM HARNESS CONNECTORS WILL DAMAGE THE PCM TERMINALS RESULTING IN POOR TERMINAL TO PIN CONNECTION. INSTALL MILLER SPECIAL TOOL #8815 TO PERFORM DIAGNOSIS. Measure the resistance of the 2/4 Solenoid Control circuit from the appropriate terminal of special tool #8815 to the Solenoid/Pressure Switch Assembly harness connector. Is the resistance above 5.0 ohms? Yes → Repair the 2-4 Solenoid Control circuit for an open. Perform 41TE (NGC) TRANSMISSION VERIFICATION TEST - VER 1. No → Go To 7	All

P0755-2/4 SOLENOID CIRCUIT — Continued

TEST	ACTION	APPLICABILITY
7	Turn the ignition off to the lock position. Disconnect the PCM harness connector. Disconnect the Transmission Solenoid/Pressure Switch Assembly harness connector. Note: Check connectors - Clean/repair as necessary. CAUTION: DO NOT PROBE THE PCM HARNESS CONNECTORS. PROBING THE PCM HARNESS CONNECTORS WILL DAMAGE THE PCM TERMINALS RESULTING IN POOR TERMINAL TO PIN CONNECTION. INSTALL MILLER SPECIAL TOOL #8815 TO PERFORM DIAGNOSIS. Measure the resistance between ground and the 2/4 Solenoid Control circuit. Is the resistance below 5.0 ohms? Yes → Repair the 2/4 Solenoid Control circuit for a short to ground. Perform 41TE (NGC) TRANSMISSION VERIFICATION TEST - VER 1. No → Go To 8	All
8	Turn the ignition off to the lock position. Disconnect the PCM harness connector. Disconnect the Transmission Solenoid/Pressure Switch Assembly harness connector. Remove the Transmission Control Relay. Note: Check connectors - Clean/repair as necessary. Connect a jumper wire between the Fused B+ circuit and Transmission Control Relay Output circuit in the Transmission Control Relay connector. Ignition on, engine not running. CAUTION: DO NOT PROBE THE PCM HARNESS CONNECTORS. PROBING THE PCM HARNESS CONNECTORS WILL DAMAGE THE PCM TERMINALS RESULTING IN POOR TERMINAL TO PIN CONNECTION. INSTALL MILLER SPECIAL TOOL #8815 TO PERFORM DIAGNOSIS. Measure the voltage of the 2/4 Solenoid Control circuit. Is the voltage above 0.5 volts? Yes → Repair the 2/4 Solenoid Control circuit for a short to voltage. Perform 41TE (NGC) TRANSMISSION VERIFICATION TEST - VER 1. No → Go To 9	All
9	Turn the ignition off to the lock position. Disconnect the Transmission Solenoid/Pressure Switch Assembly harness connector. Remove the Transmission Control Relay. Note: Check connectors - Clean/repair as necessary. Connect a jumper wire between the Fused B+ circuit and Transmission Control Relay Output circuit in the Transmission Control Relay connector. Using a 12-volt test light connected to ground, check the Transmission Control Relay Output circuit in the Solenoid/Pressure Switch Assembly harness connector. NOTE: The test light must illuminate brightly. Compare the brightness to that of a direct connection to the battery. Does the test light illuminate brightly? Yes → Go To 10 No → Repair the Transmission Control Relay Output circuit for an open. If the fuse is open make sure to check for a short to ground. Perform 41TE (NGC) TRANSMISSION VERIFICATION TEST - VER 1.	All

P0755-2/4 SOLENOID CIRCUIT — Continued

TEST	ACTION	APPLICABILITY
10	<p>Using the schematics as a guide, inspect the wiring and connectors. Repair as necessary. Pay particular attention to all power and ground circuits. If there are no possible causes remaining, view repair.</p> <p>Repair</p> <p>Replace the Powertrain Control Module per the Service Information. WITH THE DRBIII® PERFORM QUICK LEARN AND REPROGRAM PINION FACTOR.</p> <p>Perform 41TE (NGC) TRANSMISSION VERIFICATION TEST - VER 1.</p>	All
11	<p>The conditions necessary to set the DTC are not present at this time. Using the schematics as a guide, inspect the wiring and connectors specific to this circuit. Wiggle the wiring and connectors while checking for shorted and open circuits. With the DRBIII®, check the EATX EVENT DATA to help identify the conditions in which the DTC was set. Were there any problems found?</p> <p>Yes → Repair as necessary. Perform 41TE (NGC) TRANSMISSION VERIFICATION TEST - VER 1.</p> <p>No → Test Complete.</p>	All

Symptom:
P0760-OD SOLENOID CIRCUIT

When Monitored and Set Condition:

P0760-OD SOLENOID CIRCUIT

When Monitored: Initially at power-up, then every 10 seconds thereafter. Also tested immediately after a gear ratio or pressure switch error is detected.

Set Condition: Three consecutive solenoid continuity test failures, or one failure if test is run in response to a gear ratio or pressure switch error.

POSSIBLE CAUSES

RELATED RELAY DTC'S PRESENT
 TRANSMISSION CONTROL RELAY OUTPUT CIRCUIT OPEN
 OD SOLENOID CONTROL CIRCUIT OPEN
 OD SOLENOID CONTROL CIRCUIT SHORT TO GROUND
 OD SOLENOID CONTROL CIRCUIT SHORT TO VOLTAGE
 OD SOLENOID
 POWERTRAIN CONTROL MODULE
 INTERMITTENT WIRING AND CONNECTORS

TEST	ACTION	APPLICABILITY
1	<p>NOTE: Low fluid level can be the cause of many transmission problems. If the fluid level is low locate and repair the leak then check and adjust the fluid level per the Service Information.</p> <p>NOTE: Always perform diagnostics with a fully charged battery to avoid false symptoms.</p> <p>With the DRBIII®, read Engine DTC's. Check and repair all Engine DTC's prior to performing any transmission symptom diagnostics.</p> <p>With the DRBIII®, read Transmission DTC's. Record all DTC's and 1 Trip Failures.</p> <p>NOTE: Diagnose 1 Trip Failures as a fully matured DTC.</p> <p>Using the wiring diagram/schematic as a guide, inspect the wiring and connectors. Repair as necessary.</p> <p>Perform the Shift Lever Position Test. If the test does not pass, refer to Symptom test for P0706 Check Shifter Signal.</p> <p>For Gear Ratio DTC's, check and record all CVT's.</p> <p>Most DTC's set on start up but some must be set by driving the vehicle such that all diagnostic monitors have run.</p> <p>NOTE: Verify flash level of Powertrain Control Module. Some problems are corrected by software upgrades to the Transmission and Engine software.</p> <p>NOTE: Check for applicable TSB's related to the problem.</p> <p>Perform this procedure prior to Symptom diagnosis.</p> <p>Continue Go To 2</p>	All

P0760-OD SOLENOID CIRCUIT — Continued

TEST	ACTION	APPLICABILITY
2	<p>With the DRBIII®, read Transmission DTC's Are there any Transmission Control Relay DTC's present also?</p> <p>Yes → Refer to the Transmission category and perform the appropriate symptom. Perform 41TE (NGC) TRANSMISSION VERIFICATION TEST - VER 1.</p> <p>No → Go To 3</p>	All
3	<p>With the DRBIII®, Check the STARTS SINCE SET counter for P0760. NOTE: This counter only applies to the last DTC set. Is the STARTS SINCE SET counter set at 0?</p> <p>Yes → Go To 4</p> <p>No → Go To 11</p>	All
4	<p>Turn the ignition off to the lock position. Remove the Starter Relay. CAUTION: Removal of the Starter Relay is to prevent a Transmission, NO RESPONSE, condition and disable the starter. Install the Transmission Simulator, Miller tool #8333 and the Electronic Transmission Adapter kit 8333-1A. Ignition on, engine not running. With the Transmission Simulator, monitor the OD Solenoid LED. With the DRBIII®, actuate the OD Solenoid. Did the OD Solenoid LED on the Transmission Simulator blink on and off during actuation?</p> <p>Yes → Go To 5</p> <p>No → Go To 6</p>	All
5	<p>If there are no possible causes remaining, view repair.</p> <p>Repair</p> <p>Replace the Transmission Solenoid/Pressure Switch Assembly per the Service Information. Perform 41TE (NGC) TRANSMISSION VERIFICATION TEST - VER 1.</p>	All
6	<p>Turn the ignition off to the lock position. Disconnect the PCM harness connector. Disconnect the Transmission Solenoid/Pressure Switch Assembly harness connector. Note: Check connectors - Clean/repair as necessary. CAUTION: DO NOT PROBE THE PCM HARNESS CONNECTORS. PROBING THE PCM HARNESS CONNECTORS WILL DAMAGE THE PCM TERMINALS RESULTING IN POOR TERMINAL TO PIN CONNECTION. INSTALL MILLER SPECIAL TOOL #8815 TO PERFORM DIAGNOSIS. Measure the resistance of the OD Solenoid Control circuit from the appropriate terminal of special tool #8815 to the Transmission Solenoid/Pressure Switch Assembly harness connector. Is the resistance above 5.0 ohms?</p> <p>Yes → Repair the OD Solenoid Control circuit for an open. Perform 41TE (NGC) TRANSMISSION VERIFICATION TEST - VER 1.</p> <p>No → Go To 7</p>	All

P0760-OD SOLENOID CIRCUIT — Continued

TEST	ACTION	APPLICABILITY
7	<p>Turn the ignition off to the lock position. Disconnect the PCM harness connector. Disconnect the Transmission Solenoid/Pressure Switch Assembly harness connector. Note: Check connectors - Clean/repair as necessary. CAUTION: DO NOT PROBE THE PCM HARNESS CONNECTORS. PROBING THE PCM HARNESS CONNECTORS WILL DAMAGE THE PCM TERMINALS RESULTING IN POOR TERMINAL TO PIN CONNECTION. INSTALL MILLER SPECIAL TOOL #8815 TO PERFORM DIAGNOSIS. Measure the resistance between ground and the OD Solenoid Control circuit. Is the resistance below 5.0 ohms?</p> <p>Yes → Repair the OD Solenoid Control circuit for a short to ground. Perform 41TE (NGC) TRANSMISSION VERIFICATION TEST - VER 1.</p> <p>No → Go To 8</p>	All
8	<p>Turn the ignition off to the lock position. Disconnect the PCM harness connector. Disconnect the Transmission Solenoid/Pressure Switch Assembly harness connector. Remove the Transmission Control Relay. Note: Check connectors - Clean/repair as necessary. Connect a jumper wire between the Fused B+ circuit and Transmission Control Relay Output circuit in the Transmission Control Relay connector. Ignition on, engine not running. CAUTION: DO NOT PROBE THE PCM HARNESS CONNECTORS. PROBING THE PCM HARNESS CONNECTORS WILL DAMAGE THE PCM TERMINALS RESULTING IN POOR TERMINAL TO PIN CONNECTION. INSTALL MILLER SPECIAL TOOL #8815 TO PERFORM DIAGNOSIS. Measure the voltage of the OD Solenoid Control circuit. Is the voltage above 0.5 volts?</p> <p>Yes → Repair the OD Solenoid Control circuit for a short to voltage. Perform 41TE (NGC) TRANSMISSION VERIFICATION TEST - VER 1.</p> <p>No → Go To 9</p>	All
9	<p>Turn the ignition off to the lock position. Disconnect the Transmission Solenoid/Pressure Switch Assembly harness connector. Remove the Transmission Control Relay. Note: Check connectors - Clean/repair as necessary. Connect a jumper wire between the Fused B+ circuit and Transmission Control Relay Output circuit in the Transmission Control Relay connector. Using a 12-volt test light connected to ground, check the Transmission Control Relay Output circuit in the Solenoid/Pressure Switch Assembly harness connector. NOTE: The test light must illuminate brightly. Compare the brightness to that of a direct connection to the battery. Does the test light illuminate brightly?</p> <p>Yes → Go To 10</p> <p>No → Repair the Transmission Control Relay Output circuit for an open. If the fuse is open make sure to check for a short to ground. Perform 41TE (NGC) TRANSMISSION VERIFICATION TEST - VER 1.</p>	All

P0760-OD SOLENOID CIRCUIT — Continued

TEST	ACTION	APPLICABILITY
10	<p>Using the schematics as a guide, inspect the wiring and connectors. Repair as necessary. Pay particular attention to all power and ground circuits. If there are no possible causes remaining, view repair.</p> <p style="padding-left: 40px;">Repair</p> <p style="padding-left: 80px;">Replace the Powertrain Control Module per the Service Information. WITH THE DRBIII® PERFORM QUICK LEARN AND REPROGRAM PINION FACTOR.</p> <p style="padding-left: 80px;">Perform 41TE (NGC) TRANSMISSION VERIFICATION TEST - VER 1.</p>	All
11	<p>The conditions necessary to set the DTC are not present at this time. Using the schematics as a guide, inspect the wiring and connectors specific to this circuit. Wiggle the wiring and connectors while checking for shorted and open circuits. With the DRBIII®, check the EATX EVENT DATA to help identify the conditions in which the DTC was set. Were there any problems found?</p> <p style="padding-left: 40px;">Yes → Repair as necessary. Perform 41TE (NGC) TRANSMISSION VERIFICATION TEST - VER 1.</p> <p style="padding-left: 40px;">No → Test Complete.</p>	All

Symptom:
P0765-UD SOLENOID CIRCUIT

When Monitored and Set Condition:

P0765-UD SOLENOID CIRCUIT

When Monitored: Initially at power-up, then every 10 seconds thereafter. They will also be tested immediately after a gear ratio or pressure switch error is detected.

Set Condition: Three consecutive solenoid continuity test failures, or one failure if test is run in response to a gear ratio or pressure switch error.

POSSIBLE CAUSES

RELATED RELAY DTC'S PRESENT
 UD SOLENOID CONTROL CIRCUIT OPEN
 UD SOLENOID CONTROL CIRCUIT SHORT TO GROUND
 UD SOLENOID CONTROL CIRCUIT SHORT TO VOLTAGE
 UD SOLENOID
 INTERMITTENT WIRING AND CONNECTORS

TEST	ACTION	APPLICABILITY
1	<p>NOTE: Low fluid level can be the cause of many transmission problems. If the fluid level is low locate and repair the leak then check and adjust the fluid level per the Service Information. NOTE: Always perform diagnostics with a fully charged battery to avoid false symptoms. With the DRBIII®, read Engine DTC's. Check and repair all Engine DTC's prior to performing any transmission symptom diagnostics. With the DRBIII®, read Transmission DTC's. Record all DTC's and 1 Trip Failures. NOTE: Diagnose 1 Trip Failures as a fully matured DTC. Using the wiring diagram/schematic as a guide, inspect the wiring and connectors. Repair as necessary. Perform the Shift Lever Position Test. If the test does not pass, refer to Symptom test for P0706 Check Shifter Signal. For Gear Ratio DTC's, check and record all CVI's. Most DTC's set on start up but some must be set by driving the vehicle such that all diagnostic monitors have run. NOTE: Verify flash level of Powertrain Control Module. Some problems are corrected by software upgrades to the Transmission and Engine software. NOTE: Check for applicable TSB's related to the problem. Perform this procedure prior to Symptom diagnosis.</p> <p style="text-align: center;">Continue Go To 2</p>	All

P0765-UD SOLENOID CIRCUIT — Continued

TEST	ACTION	APPLICABILITY
2	With the DRBIII®, read Transmission DTC's Are there any Transmission Control Relay DTC's present also? Yes → Refer to the Transmission category and perform the appropriate symptom. Perform 41TE (NGC) TRANSMISSION VERIFICATION TEST - VER 1. No → Go To 3	All
3	With the DRBIII®, Check the STARTS SINCE SET counter for P0765. NOTE: This counter only applies to the last DTC set. Is the STARTS SINCE SET counter set at 0? Yes → Go To 4 No → Go To 9	All
4	Turn the ignition off to the lock position. Remove the Starter Relay. CAUTION: Removal of the Starter Relay is to prevent a Transmission, NO RESPONSE, condition and disable the starter. Install the Transmission Simulator, Miller tool #8333 and the Electronic Transmission Adapter kit 8333-1A. Ignition on, engine not running. Monitor the UD Solenoid LED on the Transmission Simulator. With the DRBIII®, actuate the UD Solenoid. Did the UD Solenoid LED on the Transmission Simulator blink on and off? Yes → Go To 5 No → Go To 6	All
5	If there are no possible causes remaining, view repair. Repair Replace the Transmission Solenoid/Pressure Switch Assembly per the Service Information. Perform 41TE (NGC) TRANSMISSION VERIFICATION TEST - VER 1.	All
6	Turn the ignition off to the lock position. Disconnect the PCM harness connector. Disconnect the Transmission Solenoid/Pressure Switch Assembly harness connector. Note: Check connectors - Clean/repair as necessary. CAUTION: DO NOT PROBE THE PCM HARNESS CONNECTORS. PROBING THE PCM HARNESS CONNECTORS WILL DAMAGE THE PCM TERMINALS RESULTING IN POOR TERMINAL TO PIN CONNECTION. INSTALL MILLER SPECIAL TOOL #8815 TO PERFORM DIAGNOSIS. Measure the resistance of the UD Solenoid Control circuit from the appropriate terminal of special tool #8815 to the Transmission Solenoid/Pressure Switch Assembly harness connector. Is the resistance above 5.0 ohms? Yes → Repair the UD Solenoid Control circuit for an open. Perform 41TE (NGC) TRANSMISSION VERIFICATION TEST - VER 1. No → Go To 7	All

P0765-UD SOLENOID CIRCUIT — Continued

TEST	ACTION	APPLICABILITY
7	<p>Turn the ignition off to the lock position. Disconnect the PCM harness connector. Disconnect the Transmission Solenoid/Pressure Switch Assembly harness connector. Note: Check connectors - Clean/repair as necessary. CAUTION: DO NOT PROBE THE PCM HARNESS CONNECTORS. PROBING THE PCM HARNESS CONNECTORS WILL DAMAGE THE PCM TERMINALS RESULTING IN POOR TERMINAL TO PIN CONNECTION. INSTALL MILLER SPECIAL TOOL #8815 TO PERFORM DIAGNOSIS. Measure the resistance between ground and the UD Solenoid Control circuit. Is the resistance below 5.0 ohms?</p> <p style="padding-left: 40px;">Yes → Repair the UD Solenoid Control circuit for a short to ground. Perform 41TE (NGC) TRANSMISSION VERIFICATION TEST - VER 1.</p> <p style="padding-left: 40px;">No → Go To 8</p>	All
8	<p>Turn the ignition off to the lock position. Disconnect the PCM harness connector. Disconnect the Transmission Solenoid/Pressure Switch Assembly harness connector. Remove the Transmission Control Relay. Note: Check connectors - Clean/repair as necessary. Connect a jumper wire between the Fused B+ circuit and Transmission Control Relay Output circuit in the Transmission Control Relay connector. Ignition on, engine not running. CAUTION: DO NOT PROBE THE PCM HARNESS CONNECTORS. PROBING THE PCM HARNESS CONNECTORS WILL DAMAGE THE PCM TERMINALS RESULTING IN POOR TERMINAL TO PIN CONNECTION. INSTALL MILLER SPECIAL TOOL #8815 TO PERFORM DIAGNOSIS. Measure the voltage of the UD Solenoid Control circuit. Is the voltage above 0.5 volts?</p> <p style="padding-left: 40px;">Yes → Repair the UD Solenoid Control circuit for a short to voltage. Perform 41TE (NGC) TRANSMISSION VERIFICATION TEST - VER 1.</p> <p style="padding-left: 40px;">No → Test Complete.</p>	All
9	<p>The conditions necessary to set the DTC are not present at this time. Using the schematics as a guide, inspect the wiring and connectors specific to this circuit. Wiggle the wiring and connectors while checking for shorted and open circuits. With the DRBIII®, check the EATX EVENT DATA to help identify the conditions in which the DTC was set. Were there any problems found?</p> <p style="padding-left: 40px;">Yes → Repair as necessary. Perform 41TE (NGC) TRANSMISSION VERIFICATION TEST - VER 1.</p> <p style="padding-left: 40px;">No → Test Complete.</p>	All

Symptom:

P0841-LR PRESSURE SWITCH SENSE CIRCUIT

When Monitored and Set Condition:

P0841-LR PRESSURE SWITCH SENSE CIRCUIT

When Monitored: Whenever the engine is running.

Set Condition: The DTC is set if one of the pressure switches are open or closed at the wrong time in a given gear.

POSSIBLE CAUSES

RELATED RELAY DTC'S PRESENT
 LOSS OF PRIME P0944 PRESENT
 L/R PRESSURE SWITCH SENSE CIRCUIT OPEN
 TRANSMISSION CONTROL RELAY OUTPUT CIRCUIT OPEN
 L/R PRESSURE SWITCH SENSE CIRCUIT SHORT TO GROUND
 L/R PRESSURE SWITCH SENSE CIRCUIT SHORT TO VOLTAGE
 L/R PRESSURE SWITCH
 POWERTRAIN CONTROL MODULE
 INTERMITTENT WIRING AND CONNECTORS

TEST	ACTION	APPLICABILITY
1	<p>NOTE: Low fluid level can be the cause of many transmission problems. If the fluid level is low locate and repair the leak then check and adjust the fluid level per the Service Information.</p> <p>NOTE: Always perform diagnostics with a fully charged battery to avoid false symptoms.</p> <p>With the DRBIII®, read Engine DTC's. Check and repair all Engine DTC's prior to performing any transmission symptom diagnostics.</p> <p>With the DRBIII®, read Transmission DTC's. Record all DTC's and 1 Trip Failures.</p> <p>NOTE: Diagnose 1 Trip Failures as a fully matured DTC.</p> <p>Using the wiring diagram/schematic as a guide, inspect the wiring and connectors. Repair as necessary.</p> <p>Perform the Shift Lever Position Test. If the test does not pass, refer to Symptom test for P0706 Check Shifter Signal.</p> <p>For Gear Ratio DTC's, check and record all CVI's.</p> <p>Most DTC's set on start up but some must be set by driving the vehicle such that all diagnostic monitors have run.</p> <p>NOTE: Verify flash level of Powertrain Control Module. Some problems are corrected by software upgrades to the Transmission and Engine software.</p> <p>NOTE: Check for applicable TSB's related to the problem.</p> <p>Perform this procedure prior to Symptom diagnosis.</p> <p style="text-align: center;">Continue Go To 2</p>	All

P0841-LR PRESSURE SWITCH SENSE CIRCUIT — Continued

TEST	ACTION	APPLICABILITY
2	With the DRBIII®, read Transmission DTC's Are there any Transmission Control Relay DTC's present also? Yes → Refer to the Transmission category and perform the appropriate symptom. Perform 41TE (NGC) TRANSMISSION VERIFICATION TEST - VER 1. No → Go To 3	All
3	With the DRBIII®, check for other Transmission DTC's. Is the DTC P0944 present also? Yes → Refer to the Transmission category and perform the appropriate symptom. Perform 41TE (NGC) TRANSMISSION VERIFICATION TEST - VER 1. No → Go To 4	All
4	With the DRBIII®, Check the STARTS SINCE SET counter for P0841. NOTE: This counter only applies to the last DTC set. Is the STARTS SINCE SET counter 2 or less? Yes → Go To 5 No → Go To 12	All
5	Turn the ignition off to the lock position. Remove the Starter Relay. CAUTION: Removal of the Starter Relay is to prevent a Transmission, NO RESPONSE, condition and disable the starter. Install the Transmission Simulator, Miller tool #8333 and the Electronic Transmission Adapter kit 8333-1A. Note: Check connectors - Clean/repair as necessary. Ignition on, engine not running. With the Transmission Simulator, turn the Pressure Switch selector to L/R. With the DRBIII®, monitor the L/R Pressure Switch state while pressing the Pressure Switch Test button on the Transmission Simulator. Did the L/R Pressure Switch state change? Yes → Go To 6 No → Go To 7	All
6	If there are no possible causes remaining, view repair. Repair Replace the Transmission Solenoid/Pressure Switch Assembly per the Service Information. Perform 41TE (NGC) TRANSMISSION VERIFICATION TEST - VER 1.	All

P0841-LR PRESSURE SWITCH SENSE CIRCUIT — Continued

TEST	ACTION	APPLICABILITY
7	<p>Turn the ignition off to the lock position. Disconnect the PCM harness connector. Disconnect the Transmission Solenoid/Pressure Switch Assembly harness connector. Note: Check connectors - Clean/repair as necessary. CAUTION: DO NOT PROBE THE PCM HARNESS CONNECTORS. PROBING THE PCM HARNESS CONNECTORS WILL DAMAGE THE PCM TERMINALS RESULTING IN POOR TERMINAL TO PIN CONNECTION. INSTALL MILLER SPECIAL TOOL #8815 TO PERFORM DIAGNOSIS. Measure the resistance of the L/R Pressure Switch Sense circuit from the appropriate terminal of special tool #8815 to the Transmission Solenoid/Pressure Switch Assembly harness connector. Is the resistance above 5.0 ohms?</p> <p>Yes → Repair the L/R Pressure Switch Sense circuit for an open. Perform 41TE (NGC) TRANSMISSION VERIFICATION TEST - VER 1.</p> <p>No → Go To 8</p>	All
8	<p>Turn the ignition off to the lock position. Disconnect the PCM harness connector. Disconnect the Transmission Solenoid/Pressure Switch Assembly harness connector. Note: Check connectors - Clean/repair as necessary. CAUTION: DO NOT PROBE THE PCM HARNESS CONNECTORS. PROBING THE PCM HARNESS CONNECTORS WILL DAMAGE THE PCM TERMINALS RESULTING IN POOR TERMINAL TO PIN CONNECTION. INSTALL MILLER SPECIAL TOOL #8815 TO PERFORM DIAGNOSIS. Measure the resistance between ground and the L/R Pressure Switch Sense circuit. Is the resistance below 5.0 ohms?</p> <p>Yes → Repair the L/R Pressure Switch Sense circuit for a short to ground. Perform 41TE (NGC) TRANSMISSION VERIFICATION TEST - VER 1.</p> <p>No → Go To 9</p>	All
9	<p>Turn the ignition off to the lock position. Disconnect the PCM harness connector. Disconnect the Transmission Solenoid/Pressure Switch Assembly harness connector. Remove the Transmission Control Relay. Note: Check connectors - Clean/repair as necessary. Connect a jumper wire between the Fused B+ circuit and Transmission Control Relay Output circuit. Ignition on, engine not running. CAUTION: DO NOT PROBE THE PCM HARNESS CONNECTORS. PROBING THE PCM HARNESS CONNECTORS WILL DAMAGE THE PCM TERMINALS RESULTING IN POOR TERMINAL TO PIN CONNECTION. INSTALL MILLER SPECIAL TOOL #8815 TO PERFORM DIAGNOSIS. Measure the voltage of the L/R Pressure Switch Sense circuit. Is the voltage above 0.5 volts?</p> <p>Yes → Repair the L/R Pressure Switch Sense circuit for a short to voltage. Perform 41TE (NGC) TRANSMISSION VERIFICATION TEST - VER 1.</p> <p>No → Go To 10</p>	All

P0841-LR PRESSURE SWITCH SENSE CIRCUIT — Continued

TEST	ACTION	APPLICABILITY
10	<p>Turn the ignition off to the lock position. Disconnect the Transmission Solenoid/Pressure Switch Assembly harness connector. Remove the Transmission Control Relay. Note: Check connectors - Clean/repair as necessary. Connect a jumper wire between the Fused B+ circuit and the Transmission Control Relay Output circuit in the Transmission Control Relay connector. Using a 12-volt test light connected to ground, check the Transmission Control Relay Output circuit in the Transmission Solenoid/Pressure Switch Assembly harness connector. NOTE: The test light must illuminate brightly. Compare the brightness to that of a direct connection to the battery. Does the test light illuminate brightly?</p> <p style="padding-left: 40px;">Yes → Go To 11</p> <p style="padding-left: 40px;">No → Repair the Transmission Control Relay Output circuit for an open. If the fuse is open make sure to check for a short to ground. Perform 41TE (NGC) TRANSMISSION VERIFICATION TEST - VER 1.</p>	All
11	<p>Using the schematics as a guide, inspect the wiring and connectors. Repair as necessary. Pay particular attention to all power and ground circuits. If there are no possible causes remaining, view repair.</p> <p style="padding-left: 40px;">Repair</p> <p style="padding-left: 80px;">Replace the Powertrain Control Module per the Service Information. WITH THE DRBIII® PERFORM QUICK LEARN AND REPROGRAM PINION FACTOR. Perform 41TE (NGC) TRANSMISSION VERIFICATION TEST - VER 1.</p>	All
12	<p>The conditions necessary to set the DTC are not present at this time. Using the schematics as a guide, inspect the wiring and connectors specific to this circuit. Wiggle the wires while checking for shorted and open circuits. With the DRBIII®, check the EATX EVENT DATA to help identify the conditions in which the DTC was set. Were there any problems found?</p> <p style="padding-left: 40px;">Yes → Repair as necessary. Perform 41TE (NGC) TRANSMISSION VERIFICATION TEST - VER 1.</p> <p style="padding-left: 40px;">No → Test Complete.</p>	All

Symptom:

P0845-2/4 HYDRAULIC PRESSURE TEST FAILURE

When Monitored and Set Condition:

P0845-2/4 HYDRAULIC PRESSURE TEST FAILURE

When Monitored: In any forward gear with engine speed above 1000 RPM, shortly after a shift and every minute thereafter.

Set Condition: After a shift into a forward gear, with engine speed greater than 1000 RPM, the PCM momentarily turns on element pressure to the clutch circuits that don't have pressure to identify the correct pressure switch closes. If the pressure switch does not close 2 times the DTC sets.

POSSIBLE CAUSES

LOSS OF PRIME P0944 PRESENT

TRANSMISSION CONTROL RELAY OUTPUT CIRCUIT OPEN

2/4 PRESSURE SWITCH SENSE CIRCUIT OPEN

2/4 PRESSURE SWITCH CIRCUIT SHORT TO GROUND

INTERNAL TRANSMISSION

2/4 PRESSURE SWITCH SENSE CIRCUIT SHORT TO VOLTAGE

TRANSMISSION SOLENOID/TRS ASSEMBLY

POWERTRAIN CONTROL MODULE

INTERMITTENT WIRING AND CONNECTORS

P0845-2/4 HYDRAULIC PRESSURE TEST FAILURE — Continued

TEST	ACTION	APPLICABILITY
1	<p>NOTE: Low fluid level can be the cause of many transmission problems. If the fluid level is low locate and repair the leak then check and adjust the fluid level per the Service Information.</p> <p>NOTE: Always perform diagnostics with a fully charged battery to avoid false symptoms.</p> <p>With the DRBIII®, read Engine DTC's. Check and repair all Engine DTC's prior to performing any transmission symptom diagnostics.</p> <p>With the DRBIII®, read Transmission DTC's. Record all DTC's and 1 Trip Failures.</p> <p>NOTE: Diagnose 1 Trip Failures as a fully matured DTC.</p> <p>Using the wiring diagram/schematic as a guide, inspect the wiring and connectors. Repair as necessary.</p> <p>Perform the Shift Lever Position Test. If the test does not pass, refer to Symptom test for P0706 Check Shifter Signal.</p> <p>For Gear Ratio DTC's, check and record all CVI's.</p> <p>Most DTC's set on start up but some must be set by driving the vehicle such that all diagnostic monitors have run.</p> <p>NOTE: Verify flash level of Powertrain Control Module. Some problems are corrected by software upgrades to the Transmission and Engine software.</p> <p>NOTE: Check for applicable TSB's related to the problem.</p> <p>Perform this procedure prior to Symptom diagnosis.</p> <p style="text-align: center;">Continue Go To 2</p>	All
2	<p>With the DRBIII®, check for other Transmission DTC's.</p> <p>Is the DTC P0944 present also?</p> <p style="padding-left: 40px;">Yes → Refer to the Transmission category and perform the appropriate symptom. Perform 41TE (NGC) TRANSMISSION VERIFICATION TEST - VER 1.</p> <p style="padding-left: 40px;">No → Go To 3</p>	All
3	<p>With the DRBIII®, read Transmission DTC's.</p> <p>Are any of the DTCs P0732, P0734 and/or P0846 present also?</p> <p style="padding-left: 40px;">Yes → Replace the Transmission Solenoid/Pressure Switch Assembly per the Service Information. Perform 41TE (NGC) TRANSMISSION VERIFICATION TEST - VER 1.</p> <p style="padding-left: 40px;">No → Go To 4</p>	All
4	<p>With the DRBIII®, Check the STARTS SINCE SET counter for P0845.</p> <p>NOTE: This counter only applies to the last DTC set.</p> <p>Is the STARTS SINCE SET counter 2 or less?</p> <p style="padding-left: 40px;">Yes → Go To 5</p> <p style="padding-left: 40px;">No → Go To 12</p>	All

P0845-2/4 HYDRAULIC PRESSURE TEST FAILURE — Continued

TEST	ACTION	APPLICABILITY
5	<p>Turn the ignition off to the lock position. Remove the Starter Relay. CAUTION: Removal of the Starter Relay is to prevent a Transmission, NO RESPONSE, condition and disable the starter. Install the Transmission Simulator, Miller tool #8333 and the Electronic Transmission Adapter kit 8333-1A. Note: Check connectors - Clean/repair as necessary. Ignition on, engine not running. With the Transmission Simulator, turn the Pressure Switch selector switch to 2/4. With the DRBIII®, monitor the UD Pressure Switch state while pressing the Pressure Switch Test button on the Transmission Simulator. Wiggle the wires leading to the PCM while pressing and holding the Pressure Switch Test button. Did the 2/4 Pressure Switch state change to closed and remain closed while wiggling the wires?</p> <p style="padding-left: 40px;">Yes → Go To 6 No → Go To 7</p>	All
6	<p>If there are no possible causes remaining, view repair.</p> <p style="padding-left: 40px;">Repair</p> <p style="padding-left: 80px;">Disassemble and inspect the Valve Body per the Service Information and repair or replace as necessary. If no problems are found in the Valve Body, replace the Transmission Solenoid/Pressure Switch Assembly. Perform 41TE (NGC) TRANSMISSION VERIFICATION TEST - VER 1.</p>	All
7	<p>Turn the ignition off to the lock position. Disconnect the PCM harness connector. Disconnect the Transmission Solenoid/Pressure Switch Assembly harness connector. NOTE: Check connectors - Clean/repair as necessary. CAUTION: DO NOT PROBE THE PCM HARNESS CONNECTORS. PROBING THE PCM HARNESS CONNECTORS WILL DAMAGE THE PCM TERMINALS RESULTING IN POOR TERMINAL TO PIN CONNECTION. INSTALL MILLER SPECIAL TOOL #8815 TO PERFORM DIAGNOSIS. Measure the resistance of the 2/4 Pressure Switch Sense circuit from the appropriate terminal of special tool #8815 to the Transmission Solenoid/Pressure Switch Assembly harness connector. Is the resistance above 5.0 ohms?</p> <p style="padding-left: 40px;">Yes → Repair the 2-4 Pressure Switch Sense circuit for an open. Perform 41TE (NGC) TRANSMISSION VERIFICATION TEST - VER 1. No → Go To 8</p>	All

P0845-2/4 HYDRAULIC PRESSURE TEST FAILURE — Continued

TEST	ACTION	APPLICABILITY
8	<p>Turn the ignition off to the lock position. Disconnect the PCM harness connector. Disconnect the Transmission Solenoid/Pressure Switch Assembly harness connector. Note: Check connectors - Clean/repair as necessary. CAUTION: DO NOT PROBE THE PCM HARNESS CONNECTORS. PROBING THE PCM HARNESS CONNECTORS WILL DAMAGE THE PCM TERMINALS RESULTING IN POOR TERMINAL TO PIN CONNECTION. INSTALL MILLER SPECIAL TOOL #8815 TO PERFORM DIAGNOSIS. Measure the resistance between ground and the 2/4 Pressure Switch Sense circuit. Is the resistance below 5.0 ohms?</p> <p>Yes → Repair the 2-4 Pressure Switch Sense circuit for a short to ground. Perform 41TE (NGC) TRANSMISSION VERIFICATION TEST - VER 1.</p> <p>No → Go To 9</p>	All
9	<p>Turn the ignition off to the lock position. Disconnect the PCM harness connector. Disconnect the Transmission Solenoid/Pressure Switch Assembly harness connector. Remove the Transmission Control Relay. Note: Check connectors - Clean/repair as necessary. Connect a jumper wire between the Fused B+ circuit and the Transmission Control Relay Output circuit. Ignition on, engine not running. CAUTION: DO NOT PROBE THE PCM HARNESS CONNECTORS. PROBING THE PCM HARNESS CONNECTORS WILL DAMAGE THE PCM TERMINALS RESULTING IN POOR TERMINAL TO PIN CONNECTION. INSTALL MILLER SPECIAL TOOL #8815 TO PERFORM DIAGNOSIS. Measure the voltage of the 2/4 Pressure Switch Sense circuit. Is the voltage above 0.5 volts?</p> <p>Yes → Repair the 2-4 Pressure Switch Sense circuit for a short to voltage. Perform 41TE (NGC) TRANSMISSION VERIFICATION TEST - VER 1.</p> <p>No → Go To 10</p>	All
10	<p>Turn the ignition off to the lock position. Disconnect the Transmission Solenoid/Pressure Switch Assembly harness connector. Remove the Transmission Control Relay. Note: Check connectors - Clean/repair as necessary. Connect a jumper wire between the Fused B+ circuit and the Transmission Control Relay Output circuit in the Transmission Control Relay connector. Ignition on, engine not running. Using a 12-volt test light connected to ground, check Transmission Control Relay Output circuit in the Transmission Solenoid/Pressure Switch Assembly harness connector. NOTE: The test light must illuminate brightly. Compare the brightness to that of a direct connection to the battery. Does the test light illuminate brightly?</p> <p>Yes → Go To 11</p> <p>No → Repair the Transmission Control Relay Output circuit for an open. If the fuse is open make sure to check for a short to ground. Perform 41TE (NGC) TRANSMISSION VERIFICATION TEST - VER 1.</p>	All

P0845-2/4 HYDRAULIC PRESSURE TEST FAILURE — Continued

TEST	ACTION	APPLICABILITY
11	<p>Using the schematics as a guide, inspect the wiring and connectors. Repair as necessary. Pay particular attention to all power and ground circuits. If there are no possible causes remaining, view repair.</p> <p style="padding-left: 40px;">Repair</p> <p style="padding-left: 80px;">Replace the Powertrain Control Module per the Service Information. WITH THE DRBIII® PERFORM QUICK LEARN AND REPROGRAM PINION FACTOR. Perform 41TE (NGC) TRANSMISSION VERIFICATION TEST - VER 1.</p>	All
12	<p>The conditions necessary to set the DTC are not present at this time. Using the schematics as a guide, inspect the wiring and connectors specific to this circuit. Wiggle the wires while checking for shorted and open circuits. With the DRBIII®, check the EATX EVENT DATA to help identify the conditions in which the DTC was set. Were there any problems found?</p> <p style="padding-left: 40px;">Yes → Repair as necessary. Perform 41TE (NGC) TRANSMISSION VERIFICATION TEST - VER 1.</p> <p style="padding-left: 40px;">No → Test Complete.</p>	All

Symptom:

P0846-2/4 PRESSURE SWITCH SENSE CIRCUIT

When Monitored and Set Condition:

P0846-2/4 PRESSURE SWITCH SENSE CIRCUIT

When Monitored: Whenever the engine is running.

Set Condition: The DTC is set if one of the pressure switches are open or closed at the wrong time in a given gear .

POSSIBLE CAUSES

RELATED RELAY DTC'S PRESENT
 2/4 PRESSURE SWITCH SENSE CIRCUIT OPEN
 TRANSMISSION CONTROL RELAY OUTPUT CIRCUIT OPEN
 2/4 PRESSURE SWITCH SENSE CIRCUIT SHORT TO GROUND
 2/4 PRESSURE SWITCH SENSE CIRCUIT SHORT TO VOLTAGE
 2/4 PRESSURE SWITCH
 POWERTRAIN CONTROL MODULE
 INTERMITTENT WIRING AND CONNECTORS

TEST	ACTION	APPLICABILITY
1	<p>NOTE: Low fluid level can be the cause of many transmission problems. If the fluid level is low locate and repair the leak then check and adjust the fluid level per the Service Information.</p> <p>NOTE: Always perform diagnostics with a fully charged battery to avoid false symptoms.</p> <p>With the DRBIII®, read Engine DTC's. Check and repair all Engine DTC's prior to performing any transmission symptom diagnostics.</p> <p>With the DRBIII®, read Transmission DTC's. Record all DTC's and 1 Trip Failures.</p> <p>NOTE: Diagnose 1 Trip Failures as a fully matured DTC.</p> <p>Using the wiring diagram/schematic as a guide, inspect the wiring and connectors. Repair as necessary.</p> <p>Perform the Shift Lever Position Test. If the test does not pass, refer to Symptom test for P0706 Check Shifter Signal.</p> <p>For Gear Ratio DTC's, check and record all CVI's.</p> <p>Most DTC's set on start up but some must be set by driving the vehicle such that all diagnostic monitors have run.</p> <p>NOTE: Verify flash level of Powertrain Control Module. Some problems are corrected by software upgrades to the Transmission and Engine software.</p> <p>NOTE: Check for applicable TSB's related to the problem.</p> <p>Perform this procedure prior to Symptom diagnosis.</p> <p style="text-align: center;">Continue Go To 2</p>	All

P0846-2/4 PRESSURE SWITCH SENSE CIRCUIT — Continued

TEST	ACTION	APPLICABILITY
2	<p>With the DRBIII®, read Transmission DTC's Are there any Transmission Control Relay DTC's present also?</p> <p>Yes → Refer to the Transmission category and perform the appropriate symptom. Perform 41TE (NGC) TRANSMISSION VERIFICATION TEST - VER 1.</p> <p>No → Go To 3</p>	All
3	<p>With the DRBIII®, Check the STARTS SINCE SET counter for P0846. NOTE: This counter only applies to the last DTC set. Is the STARTS SINCE SET counter 2 or less?</p> <p>Yes → Go To 4</p> <p>No → Go To 11</p>	All
4	<p>Turn the ignition off to the lock position. Remove the Starter Relay. CAUTION: Removal of the Starter Relay is to prevent a Transmission, NO RESPONSE, condition and disable the starter. Install the Transmission Simulator, Miller tool #8333 and the Electronic Transmission Adapter kit 8333-1A. Note: Check connectors - Clean/repair as necessary. Ignition on, engine not running. With the Transmission Simulator turn the Pressure Switch selector to 2/4. With the DRBIII®, monitor the 2/4 Pressure Switch state while pressing the Pressure Switch Test button on the Transmission Simulator. Did the state of the 2/4 Pressure Switch change while pressing the Pressure Switch Test button?</p> <p>Yes → Go To 5</p> <p>No → Go To 6</p>	All
5	<p>If there are no possible causes remaining, view repair.</p> <p>Repair Replace the Transmission Solenoid/Pressure Switch Assembly per the Service Information. Perform 41TE (NGC) TRANSMISSION VERIFICATION TEST - VER 1.</p>	All
6	<p>Turn the ignition off to the lock position. Disconnect the PCM harness connector. Disconnect the Transmission Solenoid/Pressure Switch Assembly harness connector. Note: Check connectors - Clean/repair as necessary. CAUTION: DO NOT PROBE THE PCM HARNESS CONNECTORS. PROBING THE PCM HARNESS CONNECTORS WILL DAMAGE THE PCM TERMINALS RESULTING IN POOR TERMINAL TO PIN CONNECTION. INSTALL MILLER SPECIAL TOOL #8815 TO PERFORM DIAGNOSIS. Measure the resistance of the 2/4 Pressure Switch Sense circuit from the appropriate terminal of special tool #8815 to the Transmission Solenoid/Pressure Switch Assembly harness connector. Is the resistance above 5.0 ohms?</p> <p>Yes → Repair the 2/4 Pressure Switch Sense circuit for an open. Perform 41TE (NGC) TRANSMISSION VERIFICATION TEST - VER 1.</p> <p>No → Go To 7</p>	All

P0846-2/4 PRESSURE SWITCH SENSE CIRCUIT — Continued

TEST	ACTION	APPLICABILITY
7	<p>Turn the ignition off to the lock position. Disconnect the PCM harness connector. Disconnect the Transmission Solenoid/Pressure Switch Assembly harness connector. Note: Check connectors - Clean/repair as necessary. CAUTION: DO NOT PROBE THE PCM HARNESS CONNECTORS. PROBING THE PCM HARNESS CONNECTORS WILL DAMAGE THE PCM TERMINALS RESULTING IN POOR TERMINAL TO PIN CONNECTION. INSTALL MILLER SPECIAL TOOL #8815 TO PERFORM DIAGNOSIS. Measure the resistance between ground and the 2/4 Pressure Switch Sense circuit. Is the resistance below 5.0 ohms?</p> <p>Yes → Repair the 2/4 Pressure Switch Sense circuit for a short to ground. Perform 41TE (NGC) TRANSMISSION VERIFICATION TEST - VER 1.</p> <p>No → Go To 8</p>	All
8	<p>Turn the ignition off to the lock position. Disconnect the PCM harness connector Disconnect the Transmission Solenoid/Pressure Switch Assembly harness connector. Remove the Transmission Control Relay. Note: Check connectors - Clean/repair as necessary. Connect a jumper wire between the Fused B+ circuit and the Transmission Control Relay Output circuit. Ignition on, engine not running. CAUTION: DO NOT PROBE THE PCM HARNESS CONNECTORS. PROBING THE PCM HARNESS CONNECTORS WILL DAMAGE THE PCM TERMINALS RESULTING IN POOR TERMINAL TO PIN CONNECTION. INSTALL MILLER SPECIAL TOOL #8815 TO PERFORM DIAGNOSIS. Measure the voltage of the 2/4 Pressure Switch Sense circuit. Is the voltage above 0.5 volts?</p> <p>Yes → Repair the 2/4 Pressure Switch Sense circuit for a short to voltage. Perform 41TE (NGC) TRANSMISSION VERIFICATION TEST - VER 1.</p> <p>No → Go To 9</p>	All
9	<p>Turn the ignition off to the lock position. Disconnect the Transmission Solenoid/Pressure Switch Assembly harness connector. Remove the Transmission Control Relay. Note: Check connectors - Clean/repair as necessary. Connect a jumper wire between the Fused B+ circuit and the Transmission Control Relay Output circuit. Using a 12-volt test light connected to ground, check the Transmission Control Relay Output circuit in the Transmission Solenoid/Pressure Switch Assembly harness connector. NOTE: The test light must illuminate brightly. Compare the brightness to that of a direct connection to the battery. Does the test light illuminate brightly?</p> <p>Yes → Go To 10</p> <p>No → Repair the Transmission Control Relay Output circuit for an open. If the fuse is open make sure to check for a short to ground. Perform 41TE (NGC) TRANSMISSION VERIFICATION TEST - VER 1.</p>	All

P0846-2/4 PRESSURE SWITCH SENSE CIRCUIT — Continued

TEST	ACTION	APPLICABILITY
10	<p>Using the schematics as a guide, inspect the wiring and connectors. Repair as necessary. Pay particular attention to all power and ground circuits. If there are no possible causes remaining, view repair.</p> <p>Repair</p> <p>Replace the Powertrain Control Module per the Service Information. WITH THE DRBIII® PERFORM QUICK LEARN AND REPROGRAM PINION FACTOR. Perform 41TE (NGC) TRANSMISSION VERIFICATION TEST - VER 1.</p>	All
11	<p>The conditions necessary to set the DTC are not present at this time. Using the schematics as a guide, inspect the wiring and connectors specific to this circuit. Wiggle the wires while checking for shorted and open circuits. With the DRBIII®, check the EATX EVENT DATA to help identify the conditions in which the DTC was set. Were any problems found?</p> <p>Yes → Repair as necessary. Perform 41TE (NGC) TRANSMISSION VERIFICATION TEST - VER 1.</p> <p>No → Test Complete.</p>	All

Symptom:**P0870-OD HYDRAULIC PRESSURE TEST FAILURE****When Monitored and Set Condition:****P0870-OD HYDRAULIC PRESSURE TEST FAILURE**

When Monitored: In any forward gear with engine speed above 1000 RPM shortly after a shift and every minute thereafter.

Set Condition: After a shift into a forward gear, with engine speed greater than 1000 RPM, the TCM momentarily turns on element pressure to the clutch circuits that don't have pressure to identify the correct pressure switch closes. If the pressure switch does not close 2 times the DTC sets

POSSIBLE CAUSES

LOSS OF PRIME - P0944 PRESENT

TRANSMISSION CONTROL RELAY OUTPUT CIRCUIT OPEN

OD PRESSURE SWITCH SENSE CIRCUIT SHORT TO GROUND

OD PRESSURE SWITCH SENSE CIRCUIT OPEN

OD PRESSURE SWITCH SENSE CIRCUIT SHORT TO VOLTAGE

TRANSMISSION SOLENOID/PRESSURE SWITCH ASSEMBLY

INTERNAL TRANSMISSION

POWERTRAIN CONTROL MODULE

INTERMITTENT WIRING AND CONNECTORS

P0870-OD HYDRAULIC PRESSURE TEST FAILURE — Continued

TEST	ACTION	APPLICABILITY
1	<p>NOTE: Low fluid level can be the cause of many transmission problems. If the fluid level is low locate and repair the leak then check and adjust the fluid level per the Service Information.</p> <p>NOTE: Always perform diagnostics with a fully charged battery to avoid false symptoms.</p> <p>With the DRBIII®, read Engine DTC's. Check and repair all Engine DTC's prior to performing any transmission symptom diagnostics.</p> <p>With the DRBIII®, read Transmission DTC's. Record all DTC's and 1 Trip Failures.</p> <p>NOTE: Diagnose 1 Trip Failures as a fully matured DTC.</p> <p>Using the wiring diagram/schematic as a guide, inspect the wiring and connectors. Repair as necessary.</p> <p>Perform the Shift Lever Position Test. If the test does not pass, refer to Symptom test for P0706 Check Shifter Signal.</p> <p>For Gear Ratio DTC's, check and record all CVI's.</p> <p>Most DTC's set on start up but some must be set by driving the vehicle such that all diagnostic monitors have run.</p> <p>NOTE: Verify flash level of Powertrain Control Module. Some problems are corrected by software upgrades to the Transmission and Engine software.</p> <p>NOTE: Check for applicable TSB's related to the problem.</p> <p>Perform this procedure prior to Symptom diagnosis.</p> <p style="text-align: center;">Continue Go To 2</p>	All
2	<p>With the DRBIII®, check for other Transmission DTC's.</p> <p>Is the DTC P0944 present also?</p> <p style="padding-left: 40px;">Yes → Refer to the Transmission category and perform the appropriate symptom. Perform 41TE (NGC) TRANSMISSION VERIFICATION TEST - VER 1.</p> <p style="padding-left: 40px;">No → Go To 3</p>	All
3	<p>With the DRBIII®, read Transmission DTC's.</p> <p>Is the DTC P0733 and/or P0871 present also?</p> <p style="padding-left: 40px;">Yes → Replace the Transmission Solenoid/Pressure Switch Assembly per the Service Information. Perform 41TE (NGC) TRANSMISSION VERIFICATION TEST - VER 1.</p> <p style="padding-left: 40px;">No → Go To 4</p>	All
4	<p>With the DRBIII®, Check the STARTS SINCE SET counter for P0870.</p> <p>NOTE: This counter only applies to the last DTC set.</p> <p>Is the STARTS SINCE SET counter 2 or less?</p> <p style="padding-left: 40px;">Yes → Go To 5</p> <p style="padding-left: 40px;">No → Go To 12</p>	All

P0870-OD HYDRAULIC PRESSURE TEST FAILURE — Continued

TEST	ACTION	APPLICABILITY
5	<p>Turn the ignition off to the lock position. Remove the Starter Relay. CAUTION: Removal of the Starter Relay is to prevent a Transmission, NO RESPONSE, condition and disable the starter. Install the Transmission Simulator, Miller tool #8333 and the Electronic Transmission Adapter kit 8333-1A. Note: Check connectors - Clean/repair as necessary. With the Transmission Simulator select the OD Pressure Switch. With the DRBIII®, monitor the OD Pressure Switch state in the following step: Wiggle the wiring and connectors pertaining to this circuit while pressing the Pressure Switch Test button on the Transmission Simulator. Did the OD Pressure Switch state change to closed and remain closed while wiggling the wires?</p> <p style="padding-left: 40px;">Yes → Go To 6</p> <p style="padding-left: 40px;">No → Go To 7</p>	All
6	<p>If there are no possible causes remaining, view repair.</p> <p style="padding-left: 40px;">Repair</p> <p style="padding-left: 80px;">Disassemble and inspect the Valve Body per the Service Information and repair or replace as necessary. If no problems are found in the Valve Body, replace the Transmission Solenoid/Pressure Switch Assembly per the Service Information. Perform 41TE (NGC) TRANSMISSION VERIFICATION TEST - VER 1.</p>	All
7	<p>Turn the ignition off to the lock position. Disconnect the PCM harness connector. Disconnect the Transmission Solenoid/Pressure Switch Assembly harness connector. Note: Check connectors - Clean/repair as necessary. CAUTION: DO NOT PROBE THE PCM HARNESS CONNECTORS. PROBING THE PCM HARNESS CONNECTORS WILL DAMAGE THE PCM TERMINALS RESULTING IN POOR TERMINAL TO PIN CONNECTION. INSTALL MILLER SPECIAL TOOL #8815 TO PERFORM DIAGNOSIS. Measure the resistance of the OD Pressure Switch Sense circuit from the appropriate terminal of special tool #8815 to the Transmission Solenoid/Pressure Switch Assembly harness connector. Is the resistance above 5.0 ohms?</p> <p style="padding-left: 40px;">Yes → Repair the OD Pressure Switch Sense circuit for an open. Perform 41TE (NGC) TRANSMISSION VERIFICATION TEST - VER 1.</p> <p style="padding-left: 40px;">No → Go To 8</p>	All

P0870-OD HYDRAULIC PRESSURE TEST FAILURE — Continued

TEST	ACTION	APPLICABILITY
8	<p>Turn the ignition off to the lock position. Disconnect the PCM harness connector. Disconnect the Transmission Solenoid/Pressure Switch Assembly harness connector. Note: Check connectors - Clean/repair as necessary. CAUTION: DO NOT PROBE THE PCM HARNESS CONNECTORS. PROBING THE PCM HARNESS CONNECTORS WILL DAMAGE THE PCM TERMINALS RESULTING IN POOR TERMINAL TO PIN CONNECTION. INSTALL MILLER SPECIAL TOOL #8815 TO PERFORM DIAGNOSIS. Measure the resistance between ground and the OD Pressure Switch Sense circuit. Is the resistance below 5.0 ohms?</p> <p style="padding-left: 40px;">Yes → Repair the OD Pressure Switch Sense circuit for a short to ground. Perform 41TE (NGC) TRANSMISSION VERIFICATION TEST - VER 1.</p> <p style="padding-left: 40px;">No → Go To 9</p>	All
9	<p>Turn the ignition off to the lock position. Disconnect the PCM harness connector. Disconnect the Transmission Solenoid/Pressure Switch Assembly harness connector. Remove the Transmission Control Relay. Note: Check connectors - Clean/repair as necessary. Connect a jumper wire between the Fused B+ circuit and Transmission Control Relay Output circuit. Ignition on, engine not running. CAUTION: DO NOT PROBE THE PCM HARNESS CONNECTORS. PROBING THE PCM HARNESS CONNECTORS WILL DAMAGE THE PCM TERMINALS RESULTING IN POOR TERMINAL TO PIN CONNECTION. INSTALL MILLER SPECIAL TOOL #8815 TO PERFORM DIAGNOSIS. Measure the voltage of the OD Pressure Switch Sense circuit. Is the voltage above 0.5 volts?</p> <p style="padding-left: 40px;">Yes → Repair the OD Pressure Switch Sense circuit for a short to voltage. Perform 41TE (NGC) TRANSMISSION VERIFICATION TEST - VER 1.</p> <p style="padding-left: 40px;">No → Go To 10</p>	All
10	<p>Turn the ignition off to the lock position. Disconnect the Transmission Solenoid/Pressure Switch Assembly harness connector. Remove the Transmission Control Relay. Note: Check connectors - Clean/repair as necessary. Connect a jumper wire between the Fused B+ circuit and Transmission Control Relay Output circuit in the Transmission Control Relay connector. Using a 12-volt test light connected to ground, check the Transmission Control Relay Output circuit in the Solenoid/Pressure Switch Assembly harness connector. NOTE: The test light must illuminate brightly. Compare the brightness to that of a direct connection to the battery.. Does the test light illuminate brightly?</p> <p style="padding-left: 40px;">Yes → Go To 11</p> <p style="padding-left: 40px;">No → Repair the Transmission Control Relay Output circuit for an open. If the fuse is open make sure to check for a short to ground. Perform 41TE (NGC) TRANSMISSION VERIFICATION TEST - VER 1.</p>	All

P0870-OD HYDRAULIC PRESSURE TEST FAILURE — Continued

TEST	ACTION	APPLICABILITY
11	<p>Using the schematics as a guide, inspect the wiring and connectors. Repair as necessary. Pay particular attention to all power and ground circuits. If there are no possible causes remaining, view repair.</p> <p>Repair</p> <p>Replace the Powertrain Control Module per the Service Information. WITH THE DRBIII® PERFORM QUICK LEARN AND REPROGRAM PINION FACTOR.</p> <p>Perform 41TE (NGC) TRANSMISSION VERIFICATION TEST - VER 1.</p>	All
12	<p>The conditions necessary to set the DTC are not present at this time. Using the schematics as a guide, inspect the wiring and connectors specific to this circuit.</p> <p>Wiggle the wires while checking for shorted and open circuits.</p> <p>With the DRBIII®, check the EATX EVENT DATA to help identify the conditions in which the DTC was set.</p> <p>Were there any problems found?</p> <p>Yes → Repair as necessary. Perform 41TE (NGC) TRANSMISSION VERIFICATION TEST - VER 1.</p> <p>No → Test Complete.</p>	All

Symptom:

P0871-OD PRESSURE SWITCH SENSE CIRCUIT

When Monitored and Set Condition:

P0871-OD PRESSURE SWITCH SENSE CIRCUIT

When Monitored: Whenever the engine is running.

Set Condition: The DTC is set if one of the pressure switches are open or closed at the wrong time in a given gear.

POSSIBLE CAUSES

RELATED RELAY DTC'S PRESENT
 OD PRESSURE SWITCH SENSE CIRCUIT OPEN
 OD PRESSURE SWITCH SENSE CIRCUIT SHORT TO GROUND
 TRANSMISSION RELAY OUTPUT CIRCUIT OPEN
 OD PRESSURE SWITCH SENSE CIRCUIT SHORT TO VOLTAGE
 OD PRESSURE SWITCH
 POWERTRAIN CONTROL MODULE
 INTERMITTENT WIRING AND CONNECTORS

TEST	ACTION	APPLICABILITY
1	<p>NOTE: Low fluid level can be the cause of many transmission problems. If the fluid level is low locate and repair the leak then check and adjust the fluid level per the Service Information.</p> <p>NOTE: Always perform diagnostics with a fully charged battery to avoid false symptoms.</p> <p>With the DRBIII®, read Engine DTC's. Check and repair all Engine DTC's prior to performing any transmission symptom diagnostics.</p> <p>With the DRBIII®, read Transmission DTC's. Record all DTC's and 1 Trip Failures.</p> <p>NOTE: Diagnose 1 Trip Failures as a fully matured DTC.</p> <p>Using the wiring diagram/schematic as a guide, inspect the wiring and connectors. Repair as necessary.</p> <p>Perform the Shift Lever Position Test. If the test does not pass, refer to Symptom test for P0706 Check Shifter Signal.</p> <p>For Gear Ratio DTC's, check and record all CVI's.</p> <p>Most DTC's set on start up but some must be set by driving the vehicle such that all diagnostic monitors have run.</p> <p>NOTE: Verify flash level of Powertrain Control Module. Some problems are corrected by software upgrades to the Transmission and Engine software.</p> <p>NOTE: Check for applicable TSB's related to the problem.</p> <p>Perform this procedure prior to Symptom diagnosis.</p> <p style="text-align: center;">Continue Go To 2</p>	All

P0871-OD PRESSURE SWITCH SENSE CIRCUIT — Continued

TEST	ACTION	APPLICABILITY
2	With the DRBIII®, read Transmission DTC's Are there any Transmission Control Relay DTC's present also? Yes → Refer to the Transmission category and perform the appropriate symptom. Perform 41TE (NGC) TRANSMISSION VERIFICATION TEST - VER 1. No → Go To 3	All
3	With the DRBIII®, Check the STARTS SINCE SET counter for P0871. NOTE: This counter only applies to the last DTC set. Is the STARTS SINCE SET counter 2 or less? Yes → Go To 4 No → Go To 11	All
4	Turn the ignition off to the lock position. Remove the Starter Relay. CAUTION: Removal of the Starter Relay is to prevent a Transmission, NO RESPONSE, condition and disable the starter. Install the Transmission Simulator, Miller tool #8333 and the Electronic Transmission Adapter kit 8333-1A. Note: Check connectors - Clean/repair as necessary. Ignition on, engine not running. With the Transmission Simulator turn the Pressure Switch selector to OD. With the DRBIII®, monitor the OD Pressure Switch state while pressing Pressure Switch test button. Did the OD Pressure Switch state change while pressing the Pressure Switch test button? Yes → Go To 5 No → Go To 6	All
5	If there are no possible causes remaining, view repair. Repair Replace the Solenoid/Pressure Switch Assembly per the Service Information. Perform 41TE (NGC) TRANSMISSION VERIFICATION TEST - VER 1.	All
6	Turn the ignition off to the lock position. Disconnect the PCM harness connector. Disconnect the Transmission Solenoid/Pressure Switch Assembly harness connector. Note: Check connectors - Clean/repair as necessary. CAUTION: DO NOT PROBE THE PCM HARNESS CONNECTORS. PROBING THE PCM HARNESS CONNECTORS WILL DAMAGE THE PCM TERMINALS RESULTING IN POOR TERMINAL TO PIN CONNECTION. INSTALL MILLER SPECIAL TOOL #8815 TO PERFORM DIAGNOSIS. Measure the resistance of the OD Pressure Switch Sense circuit from the appropriate terminal of special tool #8815 and the Transmission Solenoid/Pressure Switch Assembly harness connector. Is the resistance above 5.0 ohms? Yes → Repair the OD Pressure Switch Sense circuit for an open. Perform 41TE (NGC) TRANSMISSION VERIFICATION TEST - VER 1. No → Go To 7	All

P0871-OD PRESSURE SWITCH SENSE CIRCUIT — Continued

TEST	ACTION	APPLICABILITY
7	<p>Turn the ignition off to the lock position. Disconnect the PCM harness connector. Disconnect the Transmission Solenoid/Pressure Switch Assembly harness connector. Note: Check connectors - Clean/repair as necessary. CAUTION: DO NOT PROBE THE PCM HARNESS CONNECTORS. PROBING THE PCM HARNESS CONNECTORS WILL DAMAGE THE PCM TERMINALS RESULTING IN POOR TERMINAL TO PIN CONNECTION. INSTALL MILLER SPECIAL TOOL #8815 TO PERFORM DIAGNOSIS. Measure the resistance between ground and the OD Pressure Switch Sense circuit. Is the resistance below 5.0 ohms?</p> <p style="padding-left: 40px;">Yes → Repair the OD Pressure Switch Sense circuit for a short to ground. Perform 41TE (NGC) TRANSMISSION VERIFICATION TEST - VER 1.</p> <p style="padding-left: 40px;">No → Go To 8</p>	All
8	<p>Turn the ignition off to the lock position. Disconnect the PCM harness connector. Disconnect the Transmission Solenoid/Pressure Switch Assembly harness connector. Remove the Transmission Control Relay. Note: Check connectors - Clean/repair as necessary. Connect a jumper wire between the Fused B+ circuit and Transmission Control Relay Output circuit. Ignition on, engine not running. CAUTION: DO NOT PROBE THE PCM HARNESS CONNECTORS. PROBING THE PCM HARNESS CONNECTORS WILL DAMAGE THE PCM TERMINALS RESULTING IN POOR TERMINAL TO PIN CONNECTION. INSTALL MILLER SPECIAL TOOL #8815 TO PERFORM DIAGNOSIS. Measure the voltage of the OD Pressure Switch Sense circuit. Is the voltage above 0.5 volts?</p> <p style="padding-left: 40px;">Yes → Repair the OD Pressure Switch Sense circuit for a short to voltage. Perform 41TE (NGC) TRANSMISSION VERIFICATION TEST - VER 1.</p> <p style="padding-left: 40px;">No → Go To 9</p>	All
9	<p>Turn the ignition off to the lock position. Disconnect the Transmission Solenoid/Pressure Switch Assembly harness connector. Remove the Transmission Control Relay. Note: Check connectors - Clean/repair as necessary. Connect a jumper wire between the Fused B+ circuit and Transmission Control Relay Output circuit. Using a 12-volt test light connected to ground, check the Transmission Control Relay Output circuit. NOTE: The Test light must illuminate brightly. Compare the brightness to that of a direct connection to the battery. Does the test light illuminate brightly?</p> <p style="padding-left: 40px;">Yes → Go To 10</p> <p style="padding-left: 40px;">No → Repair the Transmission Control Relay Output circuit for an open. If the fuse is open make sure to check for a short to ground. Perform 41TE (NGC) TRANSMISSION VERIFICATION TEST - VER 1.</p>	All

P0871-OD PRESSURE SWITCH SENSE CIRCUIT — Continued

TEST	ACTION	APPLICABILITY
10	<p>Using the schematics as a guide, inspect the wiring and connectors. Repair as necessary. Pay particular attention to all power and ground circuits. If there are no possible causes remaining, view repair.</p> <p style="padding-left: 40px;">Repair</p> <p style="padding-left: 80px;">Replace the Powertrain Control Module per the Service Information. WITH THE DRBIII® PERFORM QUICK LEARN AND REPROGRAM PINION FACTOR.</p> <p style="padding-left: 80px;">Perform 41TE (NGC) TRANSMISSION VERIFICATION TEST - VER 1.</p>	All
11	<p>The conditions necessary to set the DTC are not present at this time. Using the schematics as a guide, inspect the wiring and connectors specific to this circuit. Wiggle the wiring and connectors while checking for shorted and open circuits. With the DRBIII®, check the EATX EVENT DATA to help identify the conditions in which the DTC was set. Were there any problems found?</p> <p style="padding-left: 40px;">Yes → Repair as necessary. Perform 41TE (NGC) TRANSMISSION VERIFICATION TEST - VER 1.</p> <p style="padding-left: 40px;">No → Test Complete.</p>	All

Symptom:

P0884-POWER UP AT SPEED

When Monitored and Set Condition:

P0884-POWER UP AT SPEED

When Monitored: When the Transmission Control Module initially powers up. Note: the Transmission Control Module is integrated with Powertrain Control Module. The Transmission Control Module has separate powers and grounds specifically to its portion of the PCM.

Set Condition: This DTC will set if the TCM powers up and senses the vehicle in a valid forward gear (no PRNDL DTCs) with a output speed above 800 RPM (approximately 32Km/h or 20 MPH).

POSSIBLE CAUSES

P0884 POWER UP AT SPEED

TEST	ACTION	APPLICABILITY
1	<p>This DTC is set when the PCM is initialized while the vehicle is moving down the road in a valid forward gear. This is usually a momentarily loss of power to the Transmission portion of the PCM.</p> <p>CAUTION: DO NOT PROBE THE PCM HARNESS CONNECTORS. PROBING THE PCM HARNESS CONNECTORS WILL DAMAGE THE PCM TERMINALS RESULTING IN POOR TERMINAL TO PIN CONNECTION. INSTALL MILLER SPECIAL TOOL #8815 TO PERFORM DIAGNOSIS.</p> <p>NOTE: Due to the integration of the Powertrain and Transmission Control Modules, the transmission part of the PCM has its own specific power and ground circuits.</p> <p>Check all of the Fused B+, Fused Ignition Switch Output, and Ground circuits related to the PCM for an intermittent open or short to ground.</p> <p>Perform a wiggle test on all wiring and connectors pertaining to the PCM while looking for shorts and open circuits.</p> <p>With the DRBIII®, check the EATX EVENT DATA to help identify the conditions in which the DTC was set.</p> <p>If there are no possible causes remaining, view repair.</p> <p style="padding-left: 40px;">Repair</p> <p style="padding-left: 80px;">Repair as necessary.</p> <p style="padding-left: 80px;">Perform 41TE (NGC) TRANSMISSION VERIFICATION TEST - VER 1.</p>	All

Symptom:**P0888-RELAY OUTPUT ALWAYS OFF****When Monitored and Set Condition:****P0888-RELAY OUTPUT ALWAYS OFF**

When Monitored: Continuously

Set Condition: This DTC is set when less than 3 volts are present at the Transmission Control Relay output circuits at the Transmission Control Module (TCM) when the TCM is energizing the relay. Note: Due to the integration of the Powertrain and Transmission Control Modules, the transmission part of the PCM has its own specific power and ground circuits.

POSSIBLE CAUSES

FUSED B+ CIRCUIT OPEN

TRANSMISSION CONTROL RELAY OUTPUT CIRCUIT OPEN

TRANSMISSION CONTROL RELAY

TRANSMISSION CONTROL RELAY CONTROL CIRCUIT OPEN

TRANSMISSION CONTROL RELAY GROUND CIRCUIT OPEN

TRANSMISSION CONTROL RELAY CONTROL CIRCUIT SHORT TO GROUND

TRANSMISSION CONTROL RELAY OUTPUT CIRCUIT SHORT TO GROUND

POWERTRAIN CONTROL MODULE

TRANSMISSION SOLENOID/PRESSURE SWITCH ASSEMBLY

INTERMITTENT WIRING AND CONNECTORS

P0888-RELAY OUTPUT ALWAYS OFF — Continued

TEST	ACTION	APPLICABILITY
1	<p>NOTE: Low fluid level can be the cause of many transmission problems. If the fluid level is low locate and repair the leak then check and adjust the fluid level per the Service Information.</p> <p>NOTE: Always perform diagnostics with a fully charged battery to avoid false symptoms.</p> <p>With the DRBIII®, read Engine DTC's. Check and repair all Engine DTC's prior to performing any transmission symptom diagnostics.</p> <p>With the DRBIII®, read Transmission DTC's. Record all DTC's and 1 Trip Failures.</p> <p>NOTE: Diagnose 1 Trip Failures as a fully matured DTC.</p> <p>Using the wiring diagram/schematic as a guide, inspect the wiring and connectors. Repair as necessary.</p> <p>Perform the Shift Lever Position Test. If the test does not pass, refer to Symptom test for P0706 Check Shifter Signal.</p> <p>For Gear Ratio DTC's, check and record all CVI's.</p> <p>Most DTC's set on start up but some must be set by driving the vehicle such that all diagnostic monitors have run.</p> <p>NOTE: Verify flash level of Powertrain Control Module. Some problems are corrected by software upgrades to the Transmission and Engine software.</p> <p>NOTE: Check for applicable TSB's related to the problem.</p> <p>Perform this procedure prior to Symptom diagnosis.</p> <p style="text-align: center;">Continue Go To 2</p>	All
2	<p>With the DRBIII®, Check the STARTS SINCE SET counter for P0888.</p> <p>Note: This counter only applies to the last DTC set.</p> <p>Is the STARTS SINCE SET counter equal to 0?</p> <p style="text-align: center;">Yes → Go To 3 No → Go To 13</p>	All
3	<p>Turn the ignition off to the lock position.</p> <p>Remove the Transmission Control Relay.</p> <p>Note: Check connectors - Clean/repair as necessary.</p> <p>Using a 12-volt test light connected to ground, check the Fused B+ circuit in the Transmission Control Relay connector.</p> <p>NOTE: The test light must illuminate brightly. Compare the brightness to that of a direct connection to the battery.</p> <p>Does the test light illuminate brightly?</p> <p style="text-align: center;">Yes → Go To 4 No → Go To 10</p>	All
4	<p>Turn the ignition off to the lock position.</p> <p>Remove the Transmission Control Relay.</p> <p>Note: Check connectors - Clean/repair as necessary.</p> <p>Connect a jumper wire between the Fused B+ circuit and the Transmission Control Relay Output circuit.</p> <p>Ignition on, engine not running.</p> <p>With the DRBIII® in Transmission Sensors, read the Switched Battery voltage.</p> <p>Does the Switched Battery voltage read battery voltage?</p> <p style="text-align: center;">Yes → Go To 5 No → Repair the Transmission Control Relay Output circuit for an open or high resistance. Note: There are multiple Transmission Control Relay Output circuits. Perform 41TE (NGC) TRANSMISSION VERIFICATION TEST - VER 1.</p>	All

P0888-RELAY OUTPUT ALWAYS OFF — Continued

TEST	ACTION	APPLICABILITY
5	Turn the ignition off to the lock position. Install a substitute Relay in place of the Transmission Control Relay. Ignition on, engine not running. With the DRBIII® in Transmission Sensors, read the Switched Battery voltage. Does the Switched Battery voltage read battery voltage? Yes → Replace the Transmission Control Relay. Perform 41TE (NGC) TRANSMISSION VERIFICATION TEST - VER 1. No → Go To 6	All
6	Turn the ignition off to the lock position. Remove the Transmission Control Relay. Note: Check connectors - Clean/repair as necessary. Using a 12-volt test light connected to 12-volts, check the Transmission Control Relay Ground circuit. NOTE: The test light must illuminate brightly. Compare the brightness to that of a direct connection to the battery. Does the test light illuminate brightly? Yes → Go To 7 No → Repair the Transmission Control Relay Ground circuit for an open. Perform 41TE (NGC) TRANSMISSION VERIFICATION TEST - VER 1.	All
7	Turn the ignition off to the lock position. Remove the Transmission Control Relay. Disconnect the PCM harness connector. Note: Check connectors - Clean/repair as necessary. CAUTION: DO NOT PROBE THE PCM HARNESS CONNECTORS. PROBING THE PCM HARNESS CONNECTORS WILL DAMAGE THE PCM TERMINALS RESULTING IN POOR TERMINAL TO PIN CONNECTION. INSTALL MILLER SPECIAL TOOL #8815 TO PERFORM DIAGNOSIS. Measure the resistance of the Transmission Control Relay Control circuit between the Transmission Control Relay connector and the appropriate terminal of special tool #8815. Is the resistance above 5.0 ohms? Yes → Repair the Transmission Control Relay Control circuit for an open. Perform 41TE (NGC) TRANSMISSION VERIFICATION TEST - VER 1. No → Go To 8	All

P0888-RELAY OUTPUT ALWAYS OFF — Continued

TEST	ACTION	APPLICABILITY
8	<p>Turn the ignition off to the lock position. Disconnect the PCM harness connector. Remove the Transmission Control Relay. Note: Check connectors - Clean/repair as necessary. CAUTION: DO NOT PROBE THE PCM HARNESS CONNECTORS. PROBING THE PCM HARNESS CONNECTORS WILL DAMAGE THE PCM TERMINALS RESULTING IN POOR TERMINAL TO PIN CONNECTION. INSTALL MILLER SPECIAL TOOL #8815 TO PERFORM DIAGNOSIS. Measure the resistance between ground and the Transmission Control Relay Control circuit. Is the resistance below 5.0 ohms?</p> <p>Yes → Repair the Transmission Control Relay Control circuit for a short to ground. Perform 41TE (NGC) TRANSMISSION VERIFICATION TEST - VER 1.</p> <p>No → Go To 9</p>	All
9	<p>Using the schematics as a guide, inspect the wiring and connectors. Repair as necessary. Pay particular attention to all power and ground circuits. If there are no possible causes remaining, view repair.</p> <p>Repair</p> <p>Replace the Powertrain Control Module per the Service Information. WITH THE DRBIII® PERFORM QUICK LEARN AND REPROGRAM PINION FACTOR. Perform 41TE (NGC) TRANSMISSION VERIFICATION TEST - VER 1.</p>	All
10	<p>Turn the ignition off to the lock position. Remove the Transmission Control Relay. Disconnect the PCM harness connectors. Note: Check connectors - Clean/repair as necessary. CAUTION: DO NOT PROBE THE PCM HARNESS CONNECTORS. PROBING THE PCM HARNESS CONNECTORS WILL DAMAGE THE PCM TERMINALS RESULTING IN POOR TERMINAL TO PIN CONNECTION. INSTALL MILLER SPECIAL TOOL #8815 TO PERFORM DIAGNOSIS. Measure the resistance between ground and the Transmission Control Relay Output circuit. Is the resistance below 5.0 ohms?</p> <p>Yes → Go To 11</p> <p>No → Repair the Fused B+ circuit for an open. Perform 41TE (NGC) TRANSMISSION VERIFICATION TEST - VER 1.</p>	All

P0888-RELAY OUTPUT ALWAYS OFF — Continued

TEST	ACTION	APPLICABILITY
11	<p>Turn the ignition off to the lock position. Disconnect the PCM harness connector. Disconnect the Transmission Solenoid/Pressure Switch harness connector. Remove the Transmission Control Relay. Note: Check connectors - Clean/repair as necessary. CAUTION: DO NOT PROBE THE PCM HARNESS CONNECTORS. PROBING THE PCM HARNESS CONNECTORS WILL DAMAGE THE PCM TERMINALS RESULTING IN POOR TERMINAL TO PIN CONNECTION. INSTALL MILLER SPECIAL TOOL #8815 TO PERFORM DIAGNOSIS. Measure the resistance between ground and the Transmission Control Relay Output circuit. Is the resistance below 5.0 ohms?</p> <p style="padding-left: 40px;">Yes → Repair the Transmission Control Relay Output circuit for a short to ground. Perform 41TE (NGC) TRANSMISSION VERIFICATION TEST - VER 1.</p> <p style="padding-left: 40px;">No → Go To 12</p>	All
12	<p>Using the schematics as a guide, inspect the wiring and connectors. Repair as necessary. Pay particular attention to all power and ground circuits. If there are no possible causes remaining, view repair.</p> <p style="padding-left: 40px;">Repair Replace the Transmission Solenoid/Pressure Switch Assembly per the Service Information. Perform 41TE (NGC) TRANSMISSION VERIFICATION TEST - VER 1.</p>	All
13	<p>The conditions necessary to set the DTC are not present at this time. Using the schematics as a guide, inspect the wiring and connectors specific to this circuit. Wiggle the wiring and connectors while checking for shorted and open circuits. With the DRBIII®, check the EATX EVENT DATA to help identify the conditions in which the DTC was set. Were there any problems found?</p> <p style="padding-left: 40px;">Yes → Repair as necessary. Perform 41TE (NGC) TRANSMISSION VERIFICATION TEST - VER 1.</p> <p style="padding-left: 40px;">No → Test Complete.</p>	All

Symptom:
P0890-SWITCHED BATTERY

When Monitored and Set Condition:

P0890-SWITCHED BATTERY

When Monitored: When the ignition is turned from the "off" position to the "run" position and/or the ignition is turned from the "crank" position to the "run" position.

Set Condition: This DTC is set if the Transmission Control Module (TCM) senses voltage on any of the pressure switch inputs prior to the TCM energizing the relay. Note: Due to the integration of the Powertrain and Transmission Control Modules, the transmission part of the PCM has its own specific power and ground circuits.

POSSIBLE CAUSES
2/4 PRESSURE SWITCH SENSE CIRCUIT SHORT TO VOLTAGE
L/R PRESSURE SWITCH SENSE CIRCUIT SHORT TO VOLTAGE
OD PRESSURE SWITCH SENSE CIRCUIT SHORT TO VOLTAGE
POWERTRAIN CONTROL MODULE
INTERMITTENT WIRING AND CONNECTORS

TEST	ACTION	APPLICABILITY
1	<p>NOTE: Low fluid level can be the cause of many transmission problems. If the fluid level is low locate and repair the leak then check and adjust the fluid level per the Service Information.</p> <p>NOTE: Always perform diagnostics with a fully charged battery to avoid false symptoms.</p> <p>With the DRBIII®, read Engine DTC's. Check and repair all Engine DTC's prior to performing any transmission symptom diagnostics.</p> <p>With the DRBIII®, read Transmission DTC's. Record all DTC's and 1 Trip Failures.</p> <p>NOTE: Diagnose 1 Trip Failures as a fully matured DTC.</p> <p>Using the wiring diagram/schematic as a guide, inspect the wiring and connectors. Repair as necessary.</p> <p>Perform the Shift Lever Position Test. If the test does not pass, refer to Symptom test for P0706 Check Shifter Signal.</p> <p>For Gear Ratio DTC's, check and record all CVI's.</p> <p>Most DTC's set on start up but some must be set by driving the vehicle such that all diagnostic monitors have run.</p> <p>NOTE: Verify flash level of Powertrain Control Module. Some problems are corrected by software upgrades to the Transmission and Engine software.</p> <p>NOTE: Check for applicable TSB's related to the problem.</p> <p>Perform this procedure prior to Symptom diagnosis.</p> <p style="text-align: center;">Continue Go To 2</p>	All

P0890-SWITCHED BATTERY — Continued

TEST	ACTION	APPLICABILITY
2	<p>With the DRBIII®, Check the STARTS SINCE SET counter for P0890. Note: This counter only applies to the last DTC set. Is the "STARTS SINCE SET" counter set at 0?</p> <p style="padding-left: 40px;">Yes → Go To 3</p> <p style="padding-left: 40px;">No → Go To 7</p>	All
3	<p>Turn the ignition off to the lock position. Disconnect the PCM harness connector. Disconnect the Solenoid/Pressure Switch Assembly harness connector. Remove the Transmission Control Relay. Note: Check connectors - Clean/repair as necessary. Connect a jumper wire between the Fused B+ circuit and Transmission Control Relay Output circuit in the Transmission Control Relay connector. Ignition on, engine not running. CAUTION: DO NOT PROBE THE PCM HARNESS CONNECTORS. PROBING THE PCM HARNESS CONNECTORS WILL DAMAGE THE PCM TERMINALS RESULTING IN POOR TERMINAL TO PIN CONNECTION. INSTALL MILLER SPECIAL TOOL #8815 TO PERFORM DIAGNOSIS. Measure the voltage of the OD Pressure Switch Sense circuit. Is the voltage above 0.5 volt?</p> <p style="padding-left: 40px;">Yes → Repair the OD Pressure Switch Sense circuit for a short to voltage. Perform 41TE (NGC) TRANSMISSION VERIFICATION TEST - VER 1.</p> <p style="padding-left: 40px;">No → Go To 4</p>	All
4	<p>Turn the ignition off to the lock position. Disconnect the PCM harness connector. Disconnect the Transmission Solenoid/Pressure Switch Assembly harness connector. Remove the Transmission Control Relay. Note: Check connectors - Clean/repair as necessary. Connect a jumper wire between the Fused B+ circuit and Transmission Control Relay Output circuit in the Transmission Control Relay connector. Ignition on, engine not running. CAUTION: DO NOT PROBE THE PCM HARNESS CONNECTORS. PROBING THE PCM HARNESS CONNECTORS WILL DAMAGE THE PCM TERMINALS RESULTING IN POOR TERMINAL TO PIN CONNECTION. INSTALL MILLER SPECIAL TOOL #8815 TO PERFORM DIAGNOSIS. Measure the voltage of the 2/4 Pressure Switch Sense circuit. Is the voltage above 0.5 volt?</p> <p style="padding-left: 40px;">Yes → Repair the 2/4 Pressure Switch Sense circuit for a short to voltage. Perform 41TE (NGC) TRANSMISSION VERIFICATION TEST - VER 1.</p> <p style="padding-left: 40px;">No → Go To 5</p>	All

P0890-SWITCHED BATTERY — Continued

TEST	ACTION	APPLICABILITY
5	<p>Turn the ignition off to the lock position. Disconnect the PCM harness connector. Disconnect the Transmission Solenoid/Pressure Switch Assembly harness connector. Remove the Transmission Control Relay. Note: Check connectors - Clean/repair as necessary. Connect a jumper wire between the Fused B+ circuit and Transmission Control Relay Output circuit in the Transmission Control Relay connector. Ignition on, engine not running. CAUTION: DO NOT PROBE THE PCM HARNESS CONNECTORS. PROBING THE PCM HARNESS CONNECTORS WILL DAMAGE THE PCM TERMINALS RESULTING IN POOR TERMINAL TO PIN CONNECTION. INSTALL MILLER SPECIAL TOOL #8815 TO PERFORM DIAGNOSIS. Measure the voltage of the L/R Pressure Switch Sense circuit. Is the voltage above 0.5 volts?</p> <p style="padding-left: 40px;">Yes → Repair the L/R Pressure Switch Sense circuit for a short to voltage. Perform 41TE (NGC) TRANSMISSION VERIFICATION TEST - VER 1.</p> <p style="padding-left: 40px;">No → Go To 6</p>	All
6	<p>Using the schematics as a guide, inspect the wiring and connectors. Repair as necessary. Pay particular attention to all power and ground circuits. If there are no possible causes remaining, view repair.</p> <p style="padding-left: 40px;">Repair</p> <p style="padding-left: 80px;">Replace the Powertrain Control Module per the Service Information. WITH THE DRBIII® PERFORM QUICK LEARN AND REPROGRAM PINION FACTOR. Perform 41TE (NGC) TRANSMISSION VERIFICATION TEST - VER 1.</p>	All
7	<p>The conditions necessary to set the DTC are not present at this time. Using the schematics as a guide, inspect the wiring and connectors specific to this circuit. Wiggle the wiring and connectors while checking for shorted and open circuits. With the DRBIII®, check the EATX EVENT DATA to help identify the conditions in which the DTC was set. Were there any problems found?</p> <p style="padding-left: 40px;">Yes → Repair as necessary. Perform 41TE (NGC) TRANSMISSION VERIFICATION TEST - VER 1.</p> <p style="padding-left: 40px;">No → Test Complete.</p>	All

Symptom:

P0891-TRANSMISSION RLY ALWAYS ON

When Monitored and Set Condition:

P0891-TRANSMISSION RLY ALWAYS ON

When Monitored: When the ignition is turned from the "off" position to the "run" position and/or the ignition is turned from the "crank" position to the "run" position.

Set Condition: This DTC set if the Transmission Control Module (TCM) senses greater than 3 volts at the Transmission Control Relay Output circuits at the TCM prior to the TCM energizing the relay. Note: Due to the integration of the Powertrain and Transmission Control Modules, the transmission part of the PCM has its own specific power and ground circuits.

POSSIBLE CAUSES

- TRANSMISSION CONTROL RELAY STUCK CLOSED
- TRANSMISSION CONTROL RELAY CONTROL CIRCUIT SHORT TO VOLTAGE
- TRANSMISSION CONTROL RELAY OUTPUT CIRCUIT SHORT TO VOLTAGE
- POWERTRAIN CONTROL MODULE
- INTERMITTENT WIRING AND CONNECTORS

TEST	ACTION	APPLICABILITY
1	<p>NOTE: Low fluid level can be the cause of many transmission problems. If the fluid level is low locate and repair the leak then check and adjust the fluid level per the Service Information.</p> <p>NOTE: Always perform diagnostics with a fully charged battery to avoid false symptoms.</p> <p>With the DRBIII®, read Engine DTC's. Check and repair all Engine DTC's prior to performing any transmission symptom diagnostics.</p> <p>With the DRBIII®, read Transmission DTC's. Record all DTC's and 1 Trip Failures.</p> <p>NOTE: Diagnose 1 Trip Failures as a fully matured DTC.</p> <p>Using the wiring diagram/schematic as a guide, inspect the wiring and connectors. Repair as necessary.</p> <p>Perform the Shift Lever Position Test. If the test does not pass, refer to Symptom test for P0706 Check Shifter Signal.</p> <p>For Gear Ratio DTC's, check and record all CVI's.</p> <p>Most DTC's set on start up but some must be set by driving the vehicle such that all diagnostic monitors have run.</p> <p>NOTE: Verify flash level of Powertrain Control Module. Some problems are corrected by software upgrades to the Transmission and Engine software.</p> <p>NOTE: Check for applicable TSB's related to the problem.</p> <p>Perform this procedure prior to Symptom diagnosis.</p> <p style="text-align: center;">Continue Go To 2</p>	All

P0891-TRANSMISSION RLY ALWAYS ON — Continued

TEST	ACTION	APPLICABILITY
2	<p>With the DRBIII®, Check the STARTS SINCE SET counter for P0891. Note: This counter only applies to the last DTC set. Is the STARTS SINCE SET counter equal to 0?</p> <p>Yes → Go To 3</p> <p>No → Go To 7</p>	All
3	<p>Turn the ignition off to the lock position. Remove the Transmission Control Relay. Note: Check connectors - Clean/repair as necessary. Measure the resistance between the Fused B+ circuit and the Transmission Control Relay Output Circuit in the Transmission Control Relay. Is the resistance above 5.0 ohms?</p> <p>Yes → Go To 4</p> <p>No → Replace the Transmission Control Relay. Perform 41TE (NGC) TRANSMISSION VERIFICATION TEST - VER 1.</p>	All
4	<p>Turn the ignition off to the lock position. Remove the Transmission Control Relay. Note: Check connectors - Clean/repair as necessary. Ignition on, engine not running. Measure the voltage at the Transmission Control Relay Output circuit in the Transmission Control Relay connector. Is the voltage above 0.5 volts?</p> <p>Yes → Repair the Transmission Control Relay Output circuit for a short to voltage. Perform 41TE (NGC) TRANSMISSION VERIFICATION TEST - VER 1.</p> <p>No → Go To 5</p>	All
5	<p>Turn the ignition off to the lock position. Remove the Transmission Control Relay. Note: Check connectors - Clean/repair as necessary. Ignition on, engine not running. NOTE: The Transmission Controller will power up the Transmission Control Relay Control circuit for approximately 3.0 seconds after initial ignition on. Wait at least 3.0 seconds before performing the following voltage check. NOTE: A One-trip fault may set for P0888 Relay Always Off, disregard the DTC. Measure the voltage at the Transmission Control Relay Control circuit after a 3.0 second wait period. Is the voltage above 0.5 volts?</p> <p>Yes → Repair the Transmission Control Relay Control circuit for a short to voltage. Perform 41TE (NGC) TRANSMISSION VERIFICATION TEST - VER 1.</p> <p>No → Go To 6</p>	All

P0891-TRANSMISSION RLY ALWAYS ON — Continued

TEST	ACTION	APPLICABILITY
6	<p>Using the schematics as a guide, inspect the wiring and connectors. Repair as necessary. Pay particular attention to all power and ground circuits. If there are no possible causes remaining, view repair.</p> <p>Repair</p> <p>Replace the Transmission Control Module per the Service Information. WITH THE DRBIII® PERFORM QUICK LEARN AND REPROGRAM PINION FACTOR. Perform 41TE (NGC) TRANSMISSION VERIFICATION TEST - VER 1.</p>	All
7	<p>The conditions necessary to set the DTC are not present at this time. Using the schematics as a guide, inspect the wiring and connectors specific to this circuit. Wiggle the wiring and connectors while checking for shorted and open circuits. With the DRBIII®, check the EATX EVENT DATA to help identify the conditions in which the DTC was set. Were there any problems found?</p> <p>Yes → Repair as necessary. Perform 41TE (NGC) TRANSMISSION VERIFICATION TEST - VER 1.</p> <p>No → Test Complete.</p>	All

Symptom:

P0897-WORN OUT/BURNT TRANSAXLE FLUID

When Monitored and Set Condition:

P0897-WORN OUT/BURNT TRANSAXLE FLUID

When Monitored: With each transition from full Torque Converter to partial Torque Converter engagement for A/C bump prevention.

Set Condition: When vehicle shudder is detected during partial engagement (PEMCC).

POSSIBLE CAUSES

WORN OUT/ BURNT TRANSAXLE FLUID

TEST	ACTION	APPLICABILITY
1	<p>NOTE: Low fluid level can be the cause of many transmission problems. If the fluid level is low locate and repair the leak then check and adjust the fluid level per the Service Information.</p> <p>NOTE: Always perform diagnostics with a fully charged battery to avoid false symptoms.</p> <p>With the DRBIII®, read Engine DTC's. Check and repair all Engine DTC's prior to performing any transmission symptom diagnostics.</p> <p>With the DRBIII®, read Transmission DTC's. Record all DTC's and 1 Trip Failures.</p> <p>NOTE: Diagnose 1 Trip Failures as a fully matured DTC.</p> <p>Using the wiring diagram/schematic as a guide, inspect the wiring and connectors. Repair as necessary.</p> <p>Perform the Shift Lever Position Test. If the test does not pass, refer to Symptom test for P0706 Check Shifter Signal.</p> <p>For Gear Ratio DTC's, check and record all CVI's.</p> <p>Most DTC's set on start up but some must be set by driving the vehicle such that all diagnostic monitors have run.</p> <p>NOTE: Verify flash level of Powertrain Control Module. Some problems are corrected by software upgrades to the Transmission and Engine software.</p> <p>NOTE: Check for applicable TSB's related to the problem.</p> <p>Perform this procedure prior to Symptom diagnosis.</p> <p style="text-align: center;">Continue Go To 2</p>	All

P0897-WORN OUT/BURNT TRANSAXLE FLUID — Continued

TEST	ACTION	APPLICABILITY
2	<p>Turn the ignition off to the lock position. Flush the Transmission Oil Cooler and lines, replace the Transmission Oil Filter, refill with new Transmission Fluid, start the engine, and adjust the fluid per the Service Information.</p> <p>Note: The Transmission Cooler must be flushed before proceeding. Allow the engine to idle for 10 minutes, in Park. Turn the ignition off to the lock position. Again, flush the Transmission Oil Cooler and lines, replace the Transmission Oil Filter, refill with new Transmission Fluid, start the engine, and adjust the fluid per the Service Information.</p> <p>With the DRBIII®, perform a Battery Disconnect. NOTE: The Battery Disconnect must be done to re-enable EMCC during an A/C Clutch engagement. NOTE: The vehicle may exhibit intermittent shudder during the first few hundred miles. The new Transmission Fluid will gradually penetrate the Torque Converter Clutch friction material and the shudder should disappear.</p> <p>Erase the DTC and return the vehicle to the customer. Did the DTC reset and/or does the vehicle still shudder after a few thousand miles?</p> <p>Yes → Replace the Torque Converter per the Service Information. Perform 41TE (NGC) TRANSMISSION VERIFICATION TEST - VER 1.</p> <p>No → Test Complete.</p>	All

Symptom:

P0944-LOSS OF PRIME

When Monitored and Set Condition:

P0944-LOSS OF PRIME

When Monitored: If the transmission is slipping in any forward gear and the pressure switches are not indicating pressure, a loss of prime test is run.

Set Condition: If the Transmission begins to slip in a forward gear and the pressure switch(s) that should be closed are open, a loss of prime test begins. Available elements are turned on by the PCM to see if pump prime exists. The DTC sets if no pressure switches respond.

POSSIBLE CAUSES

- SHIFT LEVER POSITION
- PLUGGED TRANSMISSION OIL FILTER
- TRANSMISSION OIL PUMP
- INTERMITTENT WIRING AND CONNECTORS

TEST	ACTION	APPLICABILITY
1	<p>NOTE: Low fluid level can be the cause of many transmission problems. If the fluid level is low locate and repair the leak then check and adjust the fluid level per the Service Information.</p> <p>NOTE: Always perform diagnostics with a fully charged battery to avoid false symptoms.</p> <p>With the DRBIII®, read Engine DTC's. Check and repair all Engine DTC's prior to performing any transmission symptom diagnostics.</p> <p>With the DRBIII®, read Transmission DTC's. Record all DTC's and 1 Trip Failures.</p> <p>NOTE: Diagnose 1 Trip Failures as a fully matured DTC.</p> <p>Using the wiring diagram/schematic as a guide, inspect the wiring and connectors. Repair as necessary.</p> <p>Perform the Shift Lever Position Test. If the test does not pass, refer to Symptom test for P0706 Check Shifter Signal.</p> <p>For Gear Ratio DTC's, check and record all CVI's.</p> <p>Most DTC's set on start up but some must be set by driving the vehicle such that all diagnostic monitors have run.</p> <p>NOTE: Verify flash level of Powertrain Control Module. Some problems are corrected by software upgrades to the Transmission and Engine software.</p> <p>NOTE: Check for applicable TSB's related to the problem.</p> <p>Perform this procedure prior to Symptom diagnosis.</p> <p style="text-align: center;">Continue Go To 2</p>	All

P0944-LOSS OF PRIME — Continued

TEST	ACTION	APPLICABILITY
2	Place the gear selector in park. Start the engine. NOTE: The TRANS TEMP DEG must be at least 43° C or 110° F before performing the following steps. The Transmission must be at operating temperature prior to checking pressure. A cold Transmission will give higher readings. Place the Transmission in Reverse. With the DRBIII®, observe the Transmission Pressure Switch states. Are any of the Pressure Switches closed? Yes → Go To 3 No → Go To 5	All
3	The conditions necessary to set this DTC are not present at this time. Test drive the vehicle. Allow the Transmission to shift through all gears and ranges. Did you experience a delayed engagement and/or a no drive condition? Yes → Go To 5 No → Go To 4	All
4	The conditions necessary to set this DTC are not present at this time. Using the schematics as a guide, inspect the wiring and connectors specific to this circuit. Wiggle the wiring while checking for shorted and open circuits. With the DRBIII®, check the EATX EVENT DATA to help identify the conditions in which the DTC was set. Were there any problems found? Yes → Repair as necessary. Perform 41TE (NGC) TRANSMISSION VERIFICATION TEST - VER 1. No → Test Complete.	All
5	With the DRBIII®, perform a Shift Lever Position test. Follow the instructions on the DRBIII®. Did the Shift Lever Position Test pass? Yes → Go To 6 No → Refer to symptom list and perform test for DTC P0706. Perform 41TE (NGC) TRANSMISSION VERIFICATION TEST - VER 1.	All
6	Remove and inspect the Transmission Oil Pan and Transmission Oil Filter per the Service Information. Does the Transmission Oil Pan contain excessive debris and/or is the Oil Filter plugged? Yes → Repair the cause of the plugged Transmission Oil Filter. Refer to the Service Information for the proper repair procedure. Perform 41TE (NGC) TRANSMISSION VERIFICATION TEST - VER 1. No → Go To 7	All

P0944-LOSS OF PRIME — Continued

TEST	ACTION	APPLICABILITY
7	If there are no possible causes remaining, view repair. Repair Replace the Transmission Oil Pump per the Service Information. Perform 41TE (NGC) TRANSMISSION VERIFICATION TEST - VER 1.	All

Symptom:

P0952-AUTOSTICK INPUT CIRCUIT LOW

When Monitored and Set Condition:

P0952-AUTOSTICK INPUT CIRCUIT LOW

When Monitored: Whenever the engine is running.

Set Condition: The transmission is not in the Autostick position and the upshift or downshift is reporting closed - below 0.3 volts or if both switches are reported closed at the same time.

POSSIBLE CAUSES

AUTOSTICK® SWITCH
 AUTOSTICK® DOWNSHIFT SENSE CIRCUIT SHORT TO GROUND
 AUTOSTICK® UPSHIFT SENSE CIRCUIT SHORT TO GROUND
 POWERTRAIN CONTROL MODULE
 INTERMITTENT WIRING AND CONNECTORS

TEST	ACTION	APPLICABILITY
1	With the DRBIII®, Check the STARTS SINCE SET counter for P0951. Note: This counter only applies to the last DTC set. Is the Starts Since Set counter set at 0? Yes → Go To 2 No → Go To 6	All
2	Turn the ignition off to the lock position. Disconnect the AutoStick® Switch harness connector. Note: Check connectors - Clean/repair as necessary. Ignition on, engine not running. Measure the voltage of both the AutoStick® Upshift and Downshift sense circuits. Is the voltage above 5.0 volts on both circuits? Yes → Replace the AutoStick® Switch per the Service Information. Perform 41TE (NGC) TRANSMISSION VERIFICATION TEST - VER 1. No → Go To 3	All

P0952-AUTOSTICK INPUT CIRCUIT LOW — Continued

TEST	ACTION	APPLICABILITY
3	<p>Turn the ignition off to the lock position. Disconnect the PCM harness connector. Disconnect the AutoStick® Switch harness connector. Note: Check connectors - Clean/repair as necessary. CAUTION: DO NOT PROBE THE PCM HARNESS CONNECTORS. PROBING THE PCM HARNESS CONNECTORS WILL DAMAGE THE PCM TERMINALS RESULTING IN POOR TERMINAL TO PIN CONNECTION. INSTALL MILLER SPECIAL TOOL #8815 TO PERFORM DIAGNOSIS. Measure the resistance between ground and the AutoStick® Downshift Sense circuit. Is the resistance below 5.0 ohms?</p> <p style="padding-left: 40px;">Yes → Repair the AutoStick® Downshift Sense circuit for a short to ground. Perform 41TE (NGC) TRANSMISSION VERIFICATION TEST - VER 1.</p> <p style="padding-left: 40px;">No → Go To 4</p>	All
4	<p>Turn the ignition off to the lock position. Disconnect the PCM harness connector. Disconnect the AutoStick® Switch harness connector. Note: Check connectors - Clean/repair as necessary. CAUTION: DO NOT PROBE THE PCM HARNESS CONNECTORS. PROBING THE PCM HARNESS CONNECTORS WILL DAMAGE THE PCM TERMINALS RESULTING IN POOR TERMINAL TO PIN CONNECTION. INSTALL MILLER SPECIAL TOOL #8815 TO PERFORM DIAGNOSIS. Measure the resistance between ground and the AutoStick® Upshift Sense circuit. Is the resistance below 5.0 ohms?</p> <p style="padding-left: 40px;">Yes → Repair the AutoStick® Upshift Sense circuit for a short to ground. Perform 41TE (NGC) TRANSMISSION VERIFICATION TEST - VER 1.</p> <p style="padding-left: 40px;">No → Go To 5</p>	All
5	<p>Ignition on, engine not running. With the DRBIII® display the AutoStick® Switch status. Shift into AutoStick®. Push the shift lever to the right several times to actuate the AutoStick® Upshift Switch and then to the left several times to actuate the AutoStick® Downshift Switch. Do both AutoStick® Upshift and Downshift Switch states toggle?</p> <p style="padding-left: 40px;">Yes → Test Complete.</p> <p style="padding-left: 40px;">No → Replace the Powertrain Control Module per the Service Information. WITH THE DRBIII® PERFORM QUICK LEARN AND REPROGRAM PINION FACTOR. Perform 41TE (NGC) TRANSMISSION VERIFICATION TEST - VER 1.</p>	All

P0952-AUTOSTICK INPUT CIRCUIT LOW — Continued

TEST	ACTION	APPLICABILITY
6	<p>The conditions necessary to set this DTC are not present at this time. Using the schematics as a guide, inspect the wiring and connectors specific to this circuit. Wiggle the wires while checking for shorts and open circuits. With the DRBIII®, check the EATX EVENT DATA to help identify the conditions in which the DTC was set. Were there any problems found?</p> <p>Yes → Repair as necessary. Perform 41TE (NGC) TRANSMISSION VERIFICATION TEST - VER 1.</p> <p>No → Test Complete.</p>	All

Symptom:

P0992-2-4/OD HYDRAULIC PRESSURE TEST FAILURE

When Monitored and Set Condition:

P0992-2-4/OD HYDRAULIC PRESSURE TEST FAILURE

When Monitored: In any forward gear with engine speed above 1000 RPM shortly after a shift and every minute thereafter.

Set Condition: After a shift into a forward gear, with engine speed >1000 RPM, the PCM momentarily turns on element pressure to the clutch circuits that don't have pressure to identify the correct pressure switch closes. If the pressure switch does not close 2 times, the DTC sets.

POSSIBLE CAUSES

CONDITION P0992 PRESENT

TEST	ACTION	APPLICABILITY
1	<p>NOTE: Low fluid level can be the cause of many transmission problems. If the fluid level is low locate and repair the leak then check and adjust the fluid level per the Service Information.</p> <p>NOTE: Always perform diagnostics with a fully charged battery to avoid false symptoms.</p> <p>With the DRBIII®, read Engine DTC's. Check and repair all Engine DTC's prior to performing any transmission symptom diagnostics.</p> <p>With the DRBIII®, read Transmission DTC's. Record all DTC's and 1 Trip Failures.</p> <p>NOTE: Diagnose 1 Trip Failures as a fully matured DTC.</p> <p>Using the wiring diagram/schematic as a guide, inspect the wiring and connectors. Repair as necessary.</p> <p>Perform the Shift Lever Position Test. If the test does not pass, refer to Symptom test for P0706 Check Shifter Signal.</p> <p>For Gear Ratio DTC's, check and record all CVT's.</p> <p>Most DTC's set on start up but some must be set by driving the vehicle such that all diagnostic monitors have run.</p> <p>NOTE: Verify flash level of Powertrain Control Module. Some problems are corrected by software upgrades to the Transmission and Engine software.</p> <p>NOTE: Check for applicable TSB's related to the problem.</p> <p>Perform this procedure prior to Symptom diagnosis.</p> <p style="text-align: center;">Continue Go To 2</p>	All

P0992-2-4/OD HYDRAULIC PRESSURE TEST FAILURE — Continued

TEST	ACTION	APPLICABILITY
2	<p>NOTE: The vehicle must be driven to set this DTC. The transmission must be warm or hot with the Engine RPM above 1000 RPM.</p> <p>This DTC is an indication of both the 2/4 and the O/D Hydraulic Pressure Switch DTCs present.</p> <p>Perform diagnostics for both P0870 and P0845 to determine which switch is failing. With the DRBIII®, check the EATX EVENT DATA to help identify the conditions in which the DTC was set.</p> <p>If there are no possible causes remaining, view repair.</p> <p>Repair</p> <p>Refer to the Transmission category and perform the symptoms for P0845 and P0870.</p> <p>Perform 41TE (NGC) TRANSMISSION VERIFICATION TEST - VER 1.</p>	All

Symptom:

P1652-SERIAL COMMUNICATION LINK MALFUNCTION

When Monitored and Set Condition:

P1652-SERIAL COMMUNICATION LINK MALFUNCTION

When Monitored: Continuously with engine running.

Set Condition: The DTC sets in approximately 20 seconds if no BUS messages are received by the TCM. Note: Due to the integration of the Powertrain and Transmission Control Modules, bus communication between the modules is internal.

POSSIBLE CAUSES
ENGINE COMMUNICATION DTCS PRESENT POWERTRAIN CONTROL MODULE INTERMITTENT WIRING AND CONNECTORS

TEST	ACTION	APPLICABILITY
1	Ignition on, engine not running. With the DRBIII®, read Engine DTC's. Are there any Engine Communication DTC's present? Yes → Refer to the Powertrain category and perform the appropriate symptom. Perform 41TE (NGC) TRANSMISSION VERIFICATION TEST - VER 1. No → Go To 2	All
2	With the DRBIII®, erase Transmission DTC's. Start the Engine in Park. With the DRBIII®, read Transmission DTCs. NOTE: The Engine must run for at least 20 seconds to reset this DTC. Did the DTC reset after the engine was started? Yes → Go To 3 No → Go To 4	All
3	Using the schematics as a guide, inspect the wiring and connectors. Repair as necessary. Pay particular attention to all power and ground circuits. If there are no possible causes remaining, view repair. Repair Replace the Powertrain Control Module. WITH THE DRBIII® PERFORM QUICK LEARN AND REPROGRAM PINION FACTOR. Perform 41TE (NGC) TRANSMISSION VERIFICATION TEST - VER 1.	All

P1652-SERIAL COMMUNICATION LINK MALFUNCTION — Continued

TEST	ACTION	APPLICABILITY
4	<p>The conditions necessary to set the DTC are not present at this time. Make sure to check for any Communication DTCs or customer concerns of possible bus problems. This includes any other controllers on the bus on this vehicle. If there is a bus problem refer to the Communication Category for diagnosis.</p> <p>With the DRBIII®, check the EATX EVENT DATA to help identify the conditions in which the DTC was set.</p> <p>Were there any problems found?</p> <p>Yes → Repair as necessary. Perform 41TE (NGC) TRANSMISSION VERIFICATION TEST - VER 1.</p> <p>No → Test Complete.</p>	All

Symptom:

P1684-BATTERY WAS DISCONNECTED

When Monitored and Set Condition:

P1684-BATTERY WAS DISCONNECTED

When Monitored: Whenever the ignition is in the Run/Start position.

Set Condition: This DTC is set whenever the Transmission Control Module (TCM) is disconnected from battery power (B+) or ground. It will also be set during the DRBIII® Quick Battery Disconnect procedure. Note: Due to the integration of the Powertrain and Transmission Control Modules, the transmission part of the PCM has its own specific power and ground circuits.

POSSIBLE CAUSES

- BATTERY WAS DISCONNECTED
- PCM WAS REPLACED OR DISCONNECTED
- QUICK LEARN WAS PERFORMED
- FUSED B+ CIRCUIT TO TCM OPEN
- GROUND CIRCUIT OPEN
- INTERMITTENT WIRING AND CONNECTORS

TEST	ACTION	APPLICABILITY
1	<p>NOTE: Low fluid level can be the cause of many transmission problems. If the fluid level is low locate and repair the leak then check and adjust the fluid level per the Service Information.</p> <p>NOTE: Always perform diagnostics with a fully charged battery to avoid false symptoms.</p> <p>With the DRBIII®, read Engine DTC's. Check and repair all Engine DTC's prior to performing any transmission symptom diagnostics.</p> <p>With the DRBIII®, read Transmission DTC's. Record all DTC's and 1 Trip Failures.</p> <p>NOTE: Diagnose 1 Trip Failures as a fully matured DTC.</p> <p>Using the wiring diagram/schematic as a guide, inspect the wiring and connectors. Repair as necessary.</p> <p>Perform the Shift Lever Position Test. If the test does not pass, refer to Symptom test for P0706 Check Shifter Signal.</p> <p>For Gear Ratio DTC's, check and record all CVI's.</p> <p>Most DTC's set on start up but some must be set by driving the vehicle such that all diagnostic monitors have run.</p> <p>NOTE: Verify flash level of Powertrain Control Module. Some problems are corrected by software upgrades to the Transmission and Engine software.</p> <p>NOTE: Check for applicable TSB's related to the problem.</p> <p>Perform this procedure prior to Symptom diagnosis.</p> <p style="text-align: center;">Continue Go To 2</p>	All

P1684-BATTERY WAS DISCONNECTED — Continued

TEST	ACTION	APPLICABILITY
2	<p>Has the battery been disconnected, lost its charge, or been replaced recently?</p> <p>Yes → Disconnecting or replacing the battery will set this DTC. Erase the DTC. Perform 41TE (NGC) TRANSMISSION VERIFICATION TEST - VER 1.</p> <p>No → Go To 3</p>	All
3	<p>Has a Quick Learn procedure been performed?</p> <p>Yes → Performing Quick Learn will set this DTC. Erase the DTC. Perform 41TE (NGC) TRANSMISSION VERIFICATION TEST - VER 1.</p> <p>No → Go To 4</p>	All
4	<p>Has the PCM been replaced or disconnected?</p> <p>Yes → Replacing or disconnecting the PCM will set this DTC. Erase the DTC. Perform 41TE (NGC) TRANSMISSION VERIFICATION TEST - VER 1.</p> <p>No → Go To 5</p>	All
5	<p>Turn the ignition off to the lock position. Disconnect the PCM harness connector.</p> <p>Note: Check connectors - Clean/repair as necessary. CAUTION: DO NOT PROBE THE PCM HARNESS CONNECTORS. PROBING THE PCM HARNESS CONNECTORS WILL DAMAGE THE PCM TERMINALS RESULTING IN POOR TERMINAL TO PIN CONNECTION. INSTALL MILLER SPECIAL TOOL #8815 TO PERFORM DIAGNOSIS.</p> <p>Using a 12-volt test light connected to ground, check the Fused B+ circuit. NOTE: The test light must illuminate brightly. Compare the brightness to that of a direct connection to the battery.</p> <p>Does the test light illuminate brightly?</p> <p>Yes → Go To 6</p> <p>No → Repair the Fused B+ circuit for an open. If the fuse is open make sure to check for a short to ground. Perform 41TE (NGC) TRANSMISSION VERIFICATION TEST - VER 1.</p>	All

P1684-BATTERY WAS DISCONNECTED — Continued

TEST	ACTION	APPLICABILITY
6	<p>Turn the ignition off to the lock position. Disconnect the PCM harness connector. Note: Check connectors - Clean/repair as necessary. CAUTION: DO NOT PROBE THE PCM HARNESS CONNECTORS. PROBING THE PCM HARNESS CONNECTORS WILL DAMAGE THE PCM TERMINALS RESULTING IN POOR TERMINAL TO PIN CONNECTION. INSTALL MILLER SPECIAL TOOL #8815 TO PERFORM DIAGNOSIS. Using a 12-volt test light connected to 12-volts, check the Ground circuits in the appropriate terminal of special tool #8815. NOTE: The test light must illuminate brightly. Compare the brightness to that of a direct connection to the battery. Does the test light illuminate brightly for all the ground circuits?</p> <p style="padding-left: 40px;">Yes → Go To 7</p> <p style="padding-left: 40px;">No → Repair the Ground circuits for an open. Perform 41TE (NGC) TRANSMISSION VERIFICATION TEST - VER 1.</p>	All
7	<p>The conditions necessary to set the DTC are not present at this time. Using the schematics as a guide, inspect the wiring and connectors specific to this circuit. Wiggle the wires while checking for shorted and open circuits. With the DRBIII®, check the EATX EVENT DATA to help identify the conditions in which the DTC was set. Were there any problems found?</p> <p style="padding-left: 40px;">Yes → Repair as necessary. Perform 41TE (NGC) TRANSMISSION VERIFICATION TEST - VER 1.</p> <p style="padding-left: 40px;">No → Test Complete.</p>	All

Symptom:**P1687-NO COMMUNICATION WITH THE MIC****When Monitored and Set Condition:****P1687-NO COMMUNICATION WITH THE MIC**

When Monitored: Continuously with engine running.

Set Condition: The DTC sets in approximately 25 seconds if no BUS messages are received from the MIC.

POSSIBLE CAUSES

OTHER BUS PROBLEMS PRESENT
 MIC - NO COMMUNICATION
 POWERTRAIN CONTROL MODULE
 INTERMITTENT WIRING AND CONNECTORS

TEST	ACTION	APPLICABILITY
1	<p>NOTE: Low fluid level can be the cause of many transmission problems. If the fluid level is low locate and repair the leak then check and adjust the fluid level per the Service Information.</p> <p>NOTE: Always perform diagnostics with a fully charged battery to avoid false symptoms.</p> <p>With the DRBIII®, read Engine DTC's. Check and repair all Engine DTC's prior to performing any transmission symptom diagnostics.</p> <p>With the DRBIII®, read Transmission DTC's. Record all DTC's and 1 Trip Failures.</p> <p>NOTE: Diagnose 1 Trip Failures as a fully matured DTC.</p> <p>Using the wiring diagram/schematic as a guide, inspect the wiring and connectors. Repair as necessary.</p> <p>Perform the Shift Lever Position Test. If the test does not pass, refer to Symptom test for P0706 Check Shifter Signal.</p> <p>For Gear Ratio DTC's, check and record all CVI's.</p> <p>Most DTC's set on start up but some must be set by driving the vehicle such that all diagnostic monitors have run.</p> <p>NOTE: Verify flash level of Powertrain Control Module. Some problems are corrected by software upgrades to the Transmission and Engine software.</p> <p>NOTE: Check for applicable TSB's related to the problem.</p> <p>Perform this procedure prior to Symptom diagnosis.</p> <p>Continue Go To 2</p>	All
2	<p>With the DRBIII®, Check the STARTS SINCE SET counter for P1687.</p> <p>Note: This counter only applies to the last DTC set.</p> <p>Is the STARTS SINCE SET counter set to zero?</p> <p>Yes → Go To 3</p> <p>No → Go To 6</p>	All

P1687-NO COMMUNICATION WITH THE MIC — Continued

TEST	ACTION	APPLICABILITY
3	<p>With the DRBIII®, check all of the other modules on the vehicle for evidence of a vehicle bus problem. Bus related DTC's in other modules point to an overall vehicle bus problem. Other symptoms such as a customer complaint of intermittent operation of bus controlled features also indicate a bus problem. Does the PRNDL display indicate "No Bus" or is there any evidence of an overall vehicle bus problem?</p> <p>Yes → Refer to the Communications category and perform the appropriate symptom. Perform 41TE (NGC) TRANSMISSION VERIFICATION TEST - VER 1.</p> <p>No → Go To 4</p>	All
4	<p>Ignition on, engine not running. With the DRBIII®, clear all DTC's. Start the engine in park. NOTE: May take up to 30 seconds of a consistent fault to set this DTC. With the DRBIII®, read the BCM DTC's. Does the Body Control Module have a "MIC MESSAGES NOT RECEIVED" DTC?</p> <p>Yes → Refer to the Communications category and perform test for "MIC MESSAGES NOT RECEIVED". Perform 41TE (NGC) TRANSMISSION VERIFICATION TEST - VER 1.</p> <p>No → Go To 5</p>	All
5	<p>Ignition on, engine not running. With the DRBIII®, erase Transmission DTC's. Start the engine in park. With the DRBIII®, read Transmission DTC's. Is the DTC "P1687 NO COMMUNICATION WITH THE MIC" present?</p> <p>Yes → Replace the Powertrain Control Module. WITH THE DRBIII® PERFORM QUICK LEARN AND REPROGRAM PINION FACTOR. Perform 41TE (NGC) TRANSMISSION VERIFICATION TEST - VER 1.</p> <p>No → Test Complete.</p>	All
6	<p>The conditions necessary to set the DTC are not present at this time. Using the schematics as a guide, inspect the wiring and connectors specific to this circuit. Wiggle the wiring and connectors while checking for shorts and open circuits. With the DRBIII®, check the EATX EVENT DATA to help identify the conditions in which the DTC was set. Were there any problems found?</p> <p>Yes → Repair as necessary. Perform 41TE (NGC) TRANSMISSION VERIFICATION TEST - VER 1.</p> <p>No → Test Complete.</p>	All

Symptom:**P1694-BUS COMMUNICATION WITH ENGINE MODULE****When Monitored and Set Condition:****P1694-BUS COMMUNICATION WITH ENGINE MODULE**

When Monitored: Continuously with ignition key on.

Set Condition: If no bus messages are received from the Powertrain Control Module (PCM) for 10 seconds. Note: Due to the integration of the Powertrain and Transmission Control Modules, bus communication between the modules is internal.

POSSIBLE CAUSES

POWERTRAIN CONTROL MODULE

INTERMITTENT WIRING AND CONNECTORS

TEST	ACTION	APPLICABILITY
1	<p>With the DRBIII®, erase Transmission DTC's. Start the Engine in Park. With the DRBIII®, read Transmission DTCs. NOTE: The Engine must run for at least 20 seconds to reset this DTC. Did the DTC reset after the engine was started?</p> <p>Yes → Go To 2 No → Go To 3</p>	All
2	<p>Using the schematics as a guide, inspect the wiring and connectors. Repair as necessary. Pay particular attention to all power and ground circuits. If there are no possible causes remaining, view repair.</p> <p>Repair</p> <p>Replace the Powertrain Control Module per the Service Information. WITH THE DRBIII® PERFORM QUICK LEARN AND REPROGRAM PINION FACTOR. Perform 41TE (NGC) TRANSMISSION VERIFICATION TEST - VER 1.</p>	All
3	<p>The conditions necessary to set the DTC are not present at this time. Make sure to check for any Communication DTCs or customer concerns of possible bus problems. This includes any other controllers on the bus on this vehicle. If there is a bus problem refer to the Communication Category for diagnosis. With the DRBIII®, check the EATX EVENT DATA to help identify the conditions in which the DTC was set. Were there any problems found?</p> <p>Yes → Repair as necessary. Perform 41TE (NGC) TRANSMISSION VERIFICATION TEST - VER 1.</p> <p>No → Test Complete.</p>	All

Symptom:

P1775-SOLENOID SWITCH VALVE LATCHED IN TCC POSITION

When Monitored and Set Condition:

P1775-SOLENOID SWITCH VALVE LATCHED IN TCC POSITION

When Monitored: During an attempted shift into 1st gear.

Set Condition: This DTC is set if three unsuccessful attempts are made to get into 1st gear in one given ignition start.

POSSIBLE CAUSES

RELATED DTC P0841 PRESENT
 INTERMITTENT WIRING AND CONNECTORS
 L/R PRESSURE SWITCH SENSE CIRCUIT OPEN
 TRANSMISSION CONTROL RELAY OUTPUT CIRCUIT OPEN
 L/R PRESSURE SWITCH SENSE CIRCUIT SHORT TO GROUND
 L/R PRESSURE SWITCH SENSE CIRCUIT SHORT TO VOLTAGE
 INTERNAL TRANSMISSION
 POWERTRAIN CONTROL MODULE

TEST	ACTION	APPLICABILITY
1	<p>NOTE: Low fluid level can be the cause of many transmission problems. If the fluid level is low locate and repair the leak then check and adjust the fluid level per the Service Information.</p> <p>NOTE: Always perform diagnostics with a fully charged battery to avoid false symptoms.</p> <p>With the DRBIII®, read Engine DTC's. Check and repair all Engine DTC's prior to performing any transmission symptom diagnostics.</p> <p>With the DRBIII®, read Transmission DTC's. Record all DTC's and 1 Trip Failures.</p> <p>NOTE: Diagnose 1 Trip Failures as a fully matured DTC.</p> <p>Using the wiring diagram/schematic as a guide, inspect the wiring and connectors. Repair as necessary.</p> <p>Perform the Shift Lever Position Test. If the test does not pass, refer to Symptom test for P0706 Check Shifter Signal.</p> <p>For Gear Ratio DTC's, check and record all CVI's.</p> <p>Most DTC's set on start up but some must be set by driving the vehicle such that all diagnostic monitors have run.</p> <p>NOTE: Verify flash level of Powertrain Control Module. Some problems are corrected by software upgrades to the Transmission and Engine software.</p> <p>NOTE: Check for applicable TSB's related to the problem.</p> <p>Perform this procedure prior to Symptom diagnosis.</p> <p style="text-align: center;">Continue Go To 2</p>	All

P1775-SOLENOID SWITCH VALVE LATCHED IN TCC POSITION — Continued

TEST	ACTION	APPLICABILITY
2	<p>With the DRBIII®, check for other Transmission DTC's Is the DTC P0841 present also?</p> <p>Yes → Refer to the Transmission category and perform the appropriate symptom. Perform 41TE (NGC) TRANSMISSION VERIFICATION TEST - VER 1.</p> <p>No → Go To 3</p>	All
3	<p>With the DRBIII®, Check the STARTS SINCE SET counter for P1775. NOTE: This counter only applies to the last DTC set. Is the STARTS SINCE SET counter 2 or less?</p> <p>Yes → Go To 4</p> <p>No → Go To 11</p>	All
4	<p>Turn the ignition off to the lock position. Remove the Starter Relay. CAUTION: Removal of the Starter Relay is to prevent a Transmission, NO RESPONSE, condition and disable the starter. Install the Transmission Simulator, Miller tool #8333 and the Electronic Transmission Adapter kit 8333-1A. Ignition on, engine not running. With the Transmission Simulator, turn the Pressure Switch selector switch to L/R. With the DRBIII®, monitor the L/R Pressure Switch State while pressing the Pressure Switch Test button. Did the Pressure Switch state change from open to closed when the test button was pressed?</p> <p>Yes → Go To 5</p> <p>No → Go To 6</p>	All
5	<p>If there are no possible causes remaining, view repair.</p> <p>Repair</p> <p>Repair internal transmission as necessary per the Service Information. Inspect the Solenoid Switch Valve per the Service Information and repair or replace as necessary. If no problems are found, replace the Transmission Solenoid/Pressure Switch Assembly. Perform 41TE (NGC) TRANSMISSION VERIFICATION TEST - VER 1.</p>	All

P1775-SOLENOID SWITCH VALVE LATCHED IN TCC POSITION —
Continued

TEST	ACTION	APPLICABILITY
6	<p>Turn the ignition off to the lock position. Disconnect the PCM harness connector. Disconnect the Transmission Solenoid/Pressure Switch Assembly harness connector. Note: Check connectors - Clean/repair as necessary. CAUTION: DO NOT PROBE THE PCM HARNESS CONNECTORS. PROBING THE PCM HARNESS CONNECTORS WILL DAMAGE THE PCM TERMINALS RESULTING IN POOR TERMINAL TO PIN CONNECTION. INSTALL MILLER SPECIAL TOOL #8815 TO PERFORM DIAGNOSIS. Measure the resistance of the L/R Pressure Switch Sense circuit from the appropriate terminal of special tool #8815 to the Transmission Solenoid/Pressure Switch Assembly harness connector. Is the resistance above 5.0 ohms?</p> <p style="padding-left: 40px;">Yes → Repair the L/R Pressure Switch Sense circuit for an open. Perform 41TE (NGC) TRANSMISSION VERIFICATION TEST - VER 1.</p> <p style="padding-left: 40px;">No → Go To 7</p>	All
7	<p>Turn the ignition off to the lock position. Disconnect the PCM harness connector. Disconnect the Transmission Solenoid/Pressure Switch Assembly harness connector. Note: Check connectors - Clean/repair as necessary. CAUTION: DO NOT PROBE THE PCM HARNESS CONNECTORS. PROBING THE PCM HARNESS CONNECTORS WILL DAMAGE THE PCM TERMINALS RESULTING IN POOR TERMINAL TO PIN CONNECTION. INSTALL MILLER SPECIAL TOOL #8815 TO PERFORM DIAGNOSIS. Measure the resistance between ground and the L/R Pressure Switch Sense circuit. Is the resistance below 5.0 ohms?</p> <p style="padding-left: 40px;">Yes → Repair the L/R Pressure Switch Sense circuit for a short to ground. Perform 41TE (NGC) TRANSMISSION VERIFICATION TEST - VER 1.</p> <p style="padding-left: 40px;">No → Go To 8</p>	All
8	<p>Turn the ignition off to the lock position. Disconnect the PCM harness connector. Disconnect the Transmission Solenoid/Pressure Switch Assembly harness connector. Remove the Transmission Control Relay. Note: Check connectors - Clean/repair as necessary. Connect a jumper wire between the Fused B+ circuit and Transmission Control Relay Output circuit in the Transmission Control Relay connector. Ignition on, engine not running. CAUTION: DO NOT PROBE THE PCM HARNESS CONNECTORS. PROBING THE PCM HARNESS CONNECTORS WILL DAMAGE THE PCM TERMINALS RESULTING IN POOR TERMINAL TO PIN CONNECTION. INSTALL MILLER SPECIAL TOOL #8815 TO PERFORM DIAGNOSIS. Measure the voltage of the L/R Pressure Switch Sense circuit. Is the voltage above 0.5 volts?</p> <p style="padding-left: 40px;">Yes → Repair the L/R Pressure Switch Sense circuit for a short to voltage. Perform 41TE (NGC) TRANSMISSION VERIFICATION TEST - VER 1.</p> <p style="padding-left: 40px;">No → Go To 9</p>	All

P1775-SOLENOID SWITCH VALVE LATCHED IN TCC POSITION — Continued

TEST	ACTION	APPLICABILITY
9	<p>Turn the ignition off to the lock position. Disconnect the Transmission Solenoid/Pressure Switch Assembly harness connector. Remove the Transmission Control Relay. Connect a jumper wire between the Fused B+ circuit and the Transmission Control Relay Output circuit. Note: Check connectors - Clean/repair as necessary. CAUTION: DO NOT PROBE THE PCM HARNESS CONNECTORS. PROBING THE PCM HARNESS CONNECTORS WILL DAMAGE THE PCM TERMINALS RESULTING IN POOR TERMINAL TO PIN CONNECTION. INSTALL MILLER SPECIAL TOOL #8815 TO PERFORM DIAGNOSIS. Disconnect the PCM C4 harness connector. Using a 12-volt test light connected to ground, check all three Transmission Control Relay Output circuits in the appropriate terminals of special tool #8815. NOTE: The test light must illuminate brightly. Compare the brightness to that of a direct connection to the battery. Does the test light illuminate brightly on all three output circuits?</p> <p style="padding-left: 40px;">Yes → Repair the Transmission Control Relay Output circuit for an open. Perform 41TE (NGC) TRANSMISSION VERIFICATION TEST - VER 1.</p> <p style="padding-left: 40px;">No → Go To 10</p>	All
10	<p>Using the schematics as a guide, inspect the wiring and connectors. Repair as necessary. Pay particular attention to all power and ground circuits. If there are no possible causes remaining, view repair.</p> <p style="padding-left: 40px;">Repair</p> <p style="padding-left: 80px;">Replace the Powertrain Control Module per the Service Information. WITH THE DRBIII® PERFORM QUICK LEARN AND REPROGRAM PINION FACTOR. Perform 41TE (NGC) TRANSMISSION VERIFICATION TEST - VER 1.</p>	All
11	<p>The conditions necessary to set this DTC are not present at this time. Test drive and verify if the transmission is launching in 2nd gear and/or no TCC engagement. With the DRBIII®, check the EATX EVENT DATA to help identify the conditions in which the DTC was set. Are there 2nd gear launches and/or no TCC engagement?</p> <p style="padding-left: 40px;">Yes → Disassemble and inspect the Valve Body per the Service Information and repair or replace as necessary. If no problems are found in the Valve Body, replace the Transmission Solenoid Pressure Switch Assembly. Perform 41TE (NGC) TRANSMISSION VERIFICATION TEST - VER 1.</p> <p style="padding-left: 40px;">No → Test Complete.</p>	All

Symptom:

P1776-SOLENOID SWITCH VALVE LATCHED IN LR POSITION

When Monitored and Set Condition:

P1776-SOLENOID SWITCH VALVE LATCHED IN LR POSITION

When Monitored: Continuously when doing partial or full EMCC (PEMCC or FEMCC).

Set Condition: If the PCM senses the L/R Pressure Switch closing while performing PEMCC or FEMCC. This DTC will be set after two unsuccessful attempts to perform PEMCC or FEMCC.

POSSIBLE CAUSES

- RELATED DTC P0841 PRESENT
- TRANSMISSION CONTROL RELAY OUTPUT CIRCUIT OPEN
- L/R PRESSURE SWITCH SENSE CIRCUIT OPEN
- L/R PRESSURE SWITCH SENSE CIRCUIT SHORT TO GROUND
- L/R PRESSURE SWITCH SENSE CIRCUIT SHORT TO VOLTAGE
- INTERNAL TRANSMISSION
- POWERTRAIN CONTROL MODULE
- INTERMITTENT WIRING AND CONNECTORS

TEST	ACTION	APPLICABILITY
1	<p>NOTE: Low fluid level can be the cause of many transmission problems. If the fluid level is low locate and repair the leak then check and adjust the fluid level per the Service Information.</p> <p>NOTE: Always perform diagnostics with a fully charged battery to avoid false symptoms.</p> <p>With the DRBIII®, read Engine DTC's. Check and repair all Engine DTC's prior to performing any transmission symptom diagnostics.</p> <p>With the DRBIII®, read Transmission DTC's. Record all DTC's and 1 Trip Failures.</p> <p>NOTE: Diagnose 1 Trip Failures as a fully matured DTC.</p> <p>Using the wiring diagram/schematic as a guide, inspect the wiring and connectors. Repair as necessary.</p> <p>Perform the Shift Lever Position Test. If the test does not pass, refer to Symptom test for P0706 Check Shifter Signal.</p> <p>For Gear Ratio DTC's, check and record all CVT's.</p> <p>Most DTC's set on start up but some must be set by driving the vehicle such that all diagnostic monitors have run.</p> <p>NOTE: Verify flash level of Powertrain Control Module. Some problems are corrected by software upgrades to the Transmission and Engine software.</p> <p>NOTE: Check for applicable TSB's related to the problem.</p> <p>Perform this procedure prior to Symptom diagnosis.</p> <p style="text-align: center;">Continue Go To 2</p>	All

P1776-SOLENOID SWITCH VALVE LATCHED IN LR POSITION — Continued

TEST	ACTION	APPLICABILITY
2	<p>With the DRBIII®, check for other transmission DTC's Is the DTC P0841 present also?</p> <p>Yes → Refer to the Transmission category and perform the appropriate symptom. Perform 41TE (NGC) TRANSMISSION VERIFICATION TEST - VER 1.</p> <p>No → Go To 3</p>	All
3	<p>With the DRBIII®, Check the STARTS SINCE SET counter for P1776. NOTE: This counter only applies to the last DTC set. Is the STARTS SINCE SET counter 2 or less?</p> <p>Yes → Go To 4</p> <p>No → Go To 11</p>	All
4	<p>Turn the ignition off to the lock position. Remove the Starter Relay. CAUTION: Removal of the Starter Relay is to prevent a Transmission, NO RESPONSE, condition and disable the starter. Install the Transmission Simulator, Miller tool #8333 and the Electronic Transmission Adapter kit 8333-1A. Ignition on, engine not running. With the Transmission Simulator, turn the Pressure Switch selector switch to L/R. With the DRBIII® monitor the L/R Pressure Switch State while pressing the Pressure Switch Test button on the Transmission Simulator. Did the Pressure Switch state change from open to closed when test button was pressed?</p> <p>Yes → Go To 5</p> <p>No → Go To 6</p>	All
5	<p>If there are no possible causes remaining, view repair.</p> <p>Repair</p> <p>Repair Internal Transmission as necessary. Inspect the Solenoid Switch Valve per the Service Information and repair or replace as necessary. If no problems are found, replace the Transmission Solenoid/Pressure Switch Assembly. Perform 41TE (NGC) TRANSMISSION VERIFICATION TEST - VER 1.</p>	All

P1776-SOLENOID SWITCH VALVE LATCHED IN LR POSITION —
Continued

TEST	ACTION	APPLICABILITY
6	<p>Turn the ignition off to the lock position. Disconnect the Transmission Solenoid/Pressure Switch Assembly harness connector. Remove the Transmission Control Relay. Note: Check connectors - Clean/repair as necessary. Connect a jumper wire between the Fused B+ circuit and the Transmission Control Relay Output circuit in the Transmission Control Relay connector. Using a 12-volt test light connected to ground, check the Transmission Control Relay Output circuit in the Solenoid/Pressure Switch Assembly harness connector. NOTE: The Test light must illuminate brightly. Compare the brightness to that of a direct connection to the battery. Does the test light illuminate brightly?</p> <p>Yes → Go To 7</p> <p>No → Repair the Transmission Control Relay Output circuit for an open. If the fuse is open make sure to check for a short to ground. Perform 41TE (NGC) TRANSMISSION VERIFICATION TEST - VER 1.</p>	All
7	<p>Turn the ignition off to the lock position. Disconnect the PCM harness connector. Disconnect the Transmission Solenoid/Pressure Switch Assembly harness connector. Note: Check connectors - Clean/repair as necessary. CAUTION: DO NOT PROBE THE PCM HARNESS CONNECTORS. PROBING THE PCM HARNESS CONNECTORS WILL DAMAGE THE PCM TERMINALS RESULTING IN POOR TERMINAL TO PIN CONNECTION. INSTALL MILLER SPECIAL TOOL #8815 TO PERFORM DIAGNOSIS. Measure the resistance of the L/R Pressure Switch Sense circuit from the Pinout Box to the Transmission Solenoid/Pressure Switch Assembly harness connector. Is the resistance above 5.0 ohms?</p> <p>Yes → Repair the L/R Pressure Switch Sense circuit for an open. Perform 41TE (NGC) TRANSMISSION VERIFICATION TEST - VER 1.</p> <p>No → Go To 8</p>	All
8	<p>Turn the ignition off to the lock position. Disconnect the PCM harness connector. Disconnect the Transmission Solenoid/Pressure Switch Assembly harness connector. Note: Check connectors - Clean/repair as necessary. CAUTION: DO NOT PROBE THE PCM HARNESS CONNECTORS. PROBING THE PCM HARNESS CONNECTORS WILL DAMAGE THE PCM TERMINALS RESULTING IN POOR TERMINAL TO PIN CONNECTION. INSTALL MILLER SPECIAL TOOL #8815 TO PERFORM DIAGNOSIS. Measure the resistance between ground and the L/R Pressure Switch Sense circuit. Is the resistance below 5.0 ohms?</p> <p>Yes → Repair the L/R Pressure Switch Sense circuit for a short to ground. Perform 41TE (NGC) TRANSMISSION VERIFICATION TEST - VER 1.</p> <p>No → Go To 9</p>	All

P1776-SOLENOID SWITCH VALVE LATCHED IN LR POSITION — Continued

TEST	ACTION	APPLICABILITY
9	<p>Turn the ignition off to the lock position. Disconnect the PCM harness connector. Disconnect the Transmission Solenoid/Pressure Switch Assembly harness connector. Remove the Transmission Control Relay. Note: Check connectors - Clean/repair as necessary. CAUTION: DO NOT PROBE THE PCM HARNESS CONNECTORS. PROBING THE PCM HARNESS CONNECTORS WILL DAMAGE THE PCM TERMINALS RESULTING IN POOR TERMINAL TO PIN CONNECTION. INSTALL MILLER SPECIAL TOOL #8815 TO PERFORM DIAGNOSIS. Connect a jumper wire between the Fused B+ circuit and Transmission Control Relay Output circuit. Ignition on, engine not running. Measure the voltage of the L/R Pressure Switch Sense circuit. Is the voltage above 0.5 volt?</p> <p style="padding-left: 40px;">Yes → Repair the L/R Pressure Switch Sense circuit for a short to voltage. Perform 41TE (NGC) TRANSMISSION VERIFICATION TEST - VER 1.</p> <p style="padding-left: 40px;">No → Go To 10</p>	All
10	<p>Using the schematics as a guide, inspect the wiring and connectors. Repair as necessary. Pay particular attention to all power and ground circuits. If there are no possible causes remaining, view repair.</p> <p style="padding-left: 40px;">Repair</p> <p style="padding-left: 80px;">Replace the Powertrain Control Module per the Service Information. WITH THE DRBIII® PERFORM QUICK LEARN AND REPROGRAM PINION FACTOR. Perform 41TE (NGC) TRANSMISSION VERIFICATION TEST - VER 1.</p>	All
11	<p>The conditions necessary to set this DTC are not present at this time. Test Drive and verify if the transmission is launching in 2nd gear and/or no TCC engagement. With the DRBIII®, check the EATX EVENT DATA to help identify the conditions in which the DTC was set. Are there 2nd gear launches and/or no TCC engagement?</p> <p style="padding-left: 40px;">Yes → Disassemble and inspect the Valve Body per the Service Information and repair or replace as necessary. If no problems are found in the Valve Body, replace the Transmission Solenoid Pressure Switch Assembly. Perform 41TE (NGC) TRANSMISSION VERIFICATION TEST - VER 1.</p> <p style="padding-left: 40px;">No → Test Complete.</p>	All

Symptom:

P1790-FAULT IMMEDIATELY AFTER SHIFT

When Monitored and Set Condition:

P1790-FAULT IMMEDIATELY AFTER SHIFT

When Monitored: After a speed ratio error is stored.

Set Condition: This DTC is set if the associated speed ratio DTC is stored within 1.3 seconds after a shift.

POSSIBLE CAUSES

FAULT AFTER SHIFT

TEST	ACTION	APPLICABILITY
1	<p>NOTE: Low fluid level can be the cause of many transmission problems. If the fluid level is low locate and repair the leak then check and adjust the fluid level per the Service Information.</p> <p>NOTE: Always perform diagnostics with a fully charged battery to avoid false symptoms.</p> <p>With the DRBIII®, read Engine DTC's. Check and repair all Engine DTC's prior to performing any transmission symptom diagnostics.</p> <p>With the DRBIII®, read Transmission DTC's. Record all DTC's and 1 Trip Failures.</p> <p>NOTE: Diagnose 1 Trip Failures as a fully matured DTC.</p> <p>Using the wiring diagram/schematic as a guide, inspect the wiring and connectors. Repair as necessary.</p> <p>Perform the Shift Lever Position Test. If the test does not pass, refer to Symptom test for P0706 Check Shifter Signal.</p> <p>For Gear Ratio DTC's, check and record all CVI's.</p> <p>Most DTC's set on start up but some must be set by driving the vehicle such that all diagnostic monitors have run.</p> <p>NOTE: Verify flash level of Powertrain Control Module. Some problems are corrected by software upgrades to the Transmission and Engine software.</p> <p>NOTE: Check for applicable TSB's related to the problem.</p> <p>Perform this procedure prior to Symptom diagnosis.</p> <p style="text-align: center;">Continue Go To 2</p>	All
2	<p>This test is set along with a gear ratio DTC. Perform the appropriate test for the Gear Ratio DTC stored.</p> <p>NOTE: Check 1 trip failures if there are no gear ratio DTCs current.</p> <p>If there are no possible causes remaining, view repair.</p> <p style="text-align: center;">Repair</p> <p style="text-align: center;">Refer to the Transmission category and perform the appropriate symptom. Perform 41TE (NGC) TRANSMISSION VERIFICATION TEST - VER 1.</p>	All

Symptom:**P1793-TRD LINK COMMUNICATION ERROR****When Monitored and Set Condition:****P1793-TRD LINK COMMUNICATION ERROR**

When Monitored: The Transmission Control Module (TCM) pulses the 12 volt TRD signal from the Powertrain Control Module (PCM) to ground, during torque managed shifts with the throttle angle above 54 degrees. The TRD system is also tested whenever the vehicle is stopped and the engine speed is at idle.

Set Condition: This DTC is set when the Transmission Control Module (TCM) sends two subsequent torque reduction messages to the Powertrain Control Module (PCM) and does not receive a confirmation from the PCM. Note: Due to the integration of the Powertrain and Transmission Control Modules, bus communication between the modules is internal.

POSSIBLE CAUSES

POWERTRAIN CONTROL MODULE

TEST	ACTION	APPLICABILITY
1	<p>NOTE: Due to the integration of the Engine and Transmission controllers into one module, the TRD bus messages are sent over a internal bus circuit. View repair.</p> <p>Repair</p> <p>Replace the Powertrain Control Module per the Service Information. WITH THE DRBIII® PERFORM QUICK LEARN AND REPROGRAM PINION FACTOR. Perform 41TE (NGC) TRANSMISSION VERIFICATION TEST - VER 1.</p>	All

Symptom:

P1794-SPEED SENSOR GROUND ERROR

When Monitored and Set Condition:

P1794-SPEED SENSOR GROUND ERROR

When Monitored: The transmission gear ratio is monitored continuously while the transmission is in gear.

Set Condition: After a PCM reset in neutral and Input/Output Ratio equals a ratio of 2.50 to 1.0 ± 50.0 RPM.

POSSIBLE CAUSES

SPEED SENSOR GROUND CIRCUIT OPEN
 POWERTRAIN CONTROL MODULE
 INTERMITTENT WIRING AND CONNECTORS

TEST	ACTION	APPLICABILITY
1	<p>NOTE: Low fluid level can be the cause of many transmission problems. If the fluid level is low locate and repair the leak then check and adjust the fluid level per the Service Information.</p> <p>NOTE: Always perform diagnostics with a fully charged battery to avoid false symptoms.</p> <p>With the DRBIII®, read Engine DTC's. Check and repair all Engine DTC's prior to performing any transmission symptom diagnostics.</p> <p>With the DRBIII®, read Transmission DTC's. Record all DTC's and 1 Trip Failures.</p> <p>NOTE: Diagnose 1 Trip Failures as a fully matured DTC.</p> <p>Using the wiring diagram/schematic as a guide, inspect the wiring and connectors. Repair as necessary.</p> <p>Perform the Shift Lever Position Test. If the test does not pass, refer to Symptom test for P0706 Check Shifter Signal.</p> <p>For Gear Ratio DTC's, check and record all CVI's.</p> <p>Most DTC's set on start up but some must be set by driving the vehicle such that all diagnostic monitors have run.</p> <p>NOTE: Verify flash level of Powertrain Control Module. Some problems are corrected by software upgrades to the Transmission and Engine software.</p> <p>NOTE: Check for applicable TSB's related to the problem.</p> <p>Perform this procedure prior to Symptom diagnosis.</p> <p style="text-align: center;">Continue Go To 2</p>	All

P1794-SPEED SENSOR GROUND ERROR — Continued

TEST	ACTION	APPLICABILITY
2	Turn the ignition off to the lock position. Remove the Starter Relay. CAUTION: Removal of the Starter Relay is to prevent a Transmission, NO RESPONSE, condition and disable the starter. Install the Transmission Simulator, Miller tool #8333 and the Electronic Transmission Adapter kit 8333-1A. Ignition on, engine not running. With the Transmission Simulator, set the "Input/Output Speed" switch to "ON" and the rotary switch to the "3000/1250" position. With the DRBIII®, monitor the Input and Output Speed Sensor readings. Does the Input Speed read 3000 RPM and the Output Speed read 1250 RPM, ± 50 RPM? Yes → Go To 3 No → Go To 4	All
3	The conditions necessary to set the DTC are not present at this time. Using the schematics as a guide, inspect the wiring and connectors specific to this circuit. Wiggle the wires while checking for shorted and open circuits. With the DRBIII®, check the EATX EVENT DATA to help identify the conditions in which the DTC was set. Were there any problems found? Yes → Repair as necessary. Perform 41TE (NGC) TRANSMISSION VERIFICATION TEST - VER 1. No → Test Complete.	All
4	Turn the ignition off to the lock position. Disconnect the PCM harness connector. Disconnect the Input and Output Speed Sensor harness connectors. Note: Check connectors - Clean/repair as necessary. CAUTION: DO NOT PROBE THE PCM HARNESS CONNECTORS. PROBING THE PCM HARNESS CONNECTORS WILL DAMAGE THE PCM TERMINALS RESULTING IN POOR TERMINAL TO PIN CONNECTION. INSTALL MILLER SPECIAL TOOL #8815 TO PERFORM DIAGNOSIS. Measure the resistance of the Speed Sensor Ground circuit from the appropriate terminal of special tool #8815 to the Input and Output Speed Sensor harness connectors. Is the resistance above 5.0 ohms on either circuit? Yes → Repair the Speed Sensor Ground circuit for an open. Perform 41TE (NGC) TRANSMISSION VERIFICATION TEST - VER 1. No → Go To 5	All
5	Using the schematics as a guide, inspect the wiring and connectors. Repair as necessary. Pay particular attention to all power and ground circuits. If there are no possible causes remaining, view repair. Repair Replace and program the Powertrain Control Module per the Service Information. WITH THE DRBIII® PERFORM QUICK LEARN AND REPROGRAM PINION FACTOR. Perform 41TE (NGC) TRANSMISSION VERIFICATION TEST - VER 1.	All

Symptom:
P1797-MANUAL SHIFT OVERHEAT

When Monitored and Set Condition:

P1797-MANUAL SHIFT OVERHEAT

When Monitored: Whenever the engine is running and transmission is in the AutoStick® mode.

Set Condition: If the Engine Temperature exceeds 123° C or 255° F, or the Transmission Temperature exceeds 135° C or 275° F while in AutoStick® mode. Note: Aggressive driving or driving in low for extended periods of time in AutoStick® mode will set this DTC.

POSSIBLE CAUSES

MANUAL SHIFT OVERHEAT

TEST	ACTION	APPLICABILITY
1	<p>NOTE: Low fluid level can be the cause of many transmission problems. If the fluid level is low locate and repair the leak then check and adjust the fluid level per the Service Information.</p> <p>NOTE: Always perform diagnostics with a fully charged battery to avoid false symptoms.</p> <p>With the DRBIII®, read Engine DTC's. Check and repair all Engine DTC's prior to performing any transmission symptom diagnostics.</p> <p>With the DRBIII®, read Transmission DTC's. Record all DTC's and 1 Trip Failures.</p> <p>NOTE: Diagnose 1 Trip Failures as a fully matured DTC.</p> <p>Using the wiring diagram/schematic as a guide, inspect the wiring and connectors. Repair as necessary.</p> <p>Perform the Shift Lever Position Test. If the test does not pass, refer to Symptom test for P0706 Check Shifter Signal.</p> <p>For Gear Ratio DTC's, check and record all CVI's.</p> <p>Most DTC's set on start up but some must be set by driving the vehicle such that all diagnostic monitors have run.</p> <p>NOTE: Verify flash level of Powertrain Control Module. Some problems are corrected by software upgrades to the Transmission and Engine software.</p> <p>NOTE: Check for applicable TSB's related to the problem.</p> <p>Perform this procedure prior to Symptom diagnosis.</p> <p style="text-align: center;">Continue Go To 2</p>	All

P1797-MANUAL SHIFT OVERHEAT — Continued

TEST	ACTION	APPLICABILITY
2	<p>This is an informational DTC only. With the DRBIII®, check the EATX EVENT DATA to help identify the conditions in which the DTC was set. Check the engine and transmission cooling system for proper operation. Check the Radiator Cooling Fan operation. Check the Transmission Cooling Fan operation if equipped. Check the Transmission Fluid Level per the Service Information. Make sure it is not overfilled. NOTE: Aggressive driving or driving in low for extended periods of time in AutoStick mode will set this DTC. If there are no possible causes remaining, view repair.</p> <p style="padding-left: 40px;">Repair</p> <p style="padding-left: 80px;">If the Transmission Fluid is low, repair any Transmission Fluid leak as necessary and adjust the Transmission Fluid Level per the Service Information. Refer to Service Information for the related symptoms and repair as necessary. Perform 41TE (NGC) TRANSMISSION VERIFICATION TEST - VER 1.</p>	All

Symptom:

***CHECKING PARK/NEUTRAL SWITCH OPERATION**

POSSIBLE CAUSES
P/N POSITION SWITCH SENSE CIRCUIT OPEN
P/N POSITION SWITCH SENSE CIRCUIT SHORT TO GROUND
TRANSMISSION RANGE SENSOR
POWERTRAIN CONTROL MODULE

TEST	ACTION	APPLICABILITY
1	Ignition on, engine not running. With the DRBIII®, monitor the Park/Neutral Position Switch input state. Move the gear selector through all gear positions, Park to 1 and back to Park. Did the DRBIII® display show P/N and D/R in the correct gear positions? Yes → Test Complete. No → Go To 2	All
2	Turn the ignition off to the lock position. Disconnect the PCM harness connectors. Disconnect the TRS harness connector. Note: Check connectors - Clean/repair as necessary. CAUTION: DO NOT PROBE THE PCM HARNESS CONNECTORS. PROBING THE PCM HARNESS CONNECTORS WILL DAMAGE THE PCM TERMINALS RESULTING IN POOR TERMINAL TO PIN CONNECTION. INSTALL MILLER SPECIAL TOOL #8815 TO PERFORM DIAGNOSIS. Measure the resistance of the P/N Position Switch Sense circuit from the appropriate terminal of special tool #8815 to the Transmission Range Sensor harness connector. Is the resistance below 5.0 ohms? Yes → Go To 3 No → Repair the P/N Position Switch Sense circuit for an open.	All
3	Turn the ignition off to the lock position. Disconnect the PCM harness connectors. Disconnect the TRS harness connector. Note: Check connectors - Clean/repair as necessary. CAUTION: DO NOT PROBE THE PCM HARNESS CONNECTORS. PROBING THE PCM HARNESS CONNECTORS WILL DAMAGE THE PCM TERMINALS RESULTING IN POOR TERMINAL TO PIN CONNECTION. INSTALL MILLER SPECIAL TOOL #8815 TO PERFORM DIAGNOSIS. Measure the resistance between ground and the P/N Position Switch Sense circuit. Is the resistance above 100 kohms? Yes → Go To 4 No → Repair the P/N Position Switch Sense circuit for a short to ground.	All

***CHECKING PARK/NEUTRAL SWITCH OPERATION — Continued**

TEST	ACTION	APPLICABILITY
4	<p>Turn the ignition off to the lock position. Disconnect the PCM harness connectors. Move the Gear selector through all gear positions, from Park to 1st and back. While moving the gear selector through each gear, measure the resistance between ground and the P/N Position Switch Sense circuit in the appropriate terminal of special tool #8815.</p> <p>CAUTION: DO NOT PROBE THE PCM HARNESS CONNECTORS. PROBING THE PCM HARNESS CONNECTORS WILL DAMAGE THE PCM TERMINALS RESULTING IN POOR TERMINAL TO PIN CONNECTION. INSTALL MILLER SPECIAL TOOL #8815 TO PERFORM DIAGNOSIS.</p> <p>Did the resistance change from above 10.0 ohms to below 10.0 ohms?</p> <p>Yes → Go To 5</p> <p>No → Replace the Transmission Range Sensor per the Service Information.</p>	All
5	<p>Using the schematics as a guide, inspect the wiring and connectors. Repair as necessary. Pay particular attention to all power and ground circuits. If there are no possible causes remaining, view repair.</p> <p>Repair</p> <p>Replace the Powertrain Control Module per the Service Information.</p>	All

Symptom:

***NO MANUAL AUTOSTICK OPERATION**

POSSIBLE CAUSES
AUTOSTICK® DOWNSHIFT SENSE CIRCUIT OPEN
AUTOSTICK® GROUND CIRCUIT OPEN
AUTOSTICK® UPSHIFT SENSE CIRCUIT OPEN
IGNITION UNLOCK/RUN/START CIRCUIT OPEN
PCM - AUTOSTICK®

TEST	ACTION	APPLICABILITY
1	Turn the ignition off to the lock position. Disconnect the AutoStick® Switch harness connector. Note: Check connectors - Clean/repair as necessary. Ignition on, engine not running. Measure the voltage of the Ignition Unlock/Run/Start circuit in the AutoStick® Switch harness connector. Is the voltage above 10.0 volts? Yes → Go To 2 No → Repair the Ignition Unlock/ Run/Start circuit for an open.	All
2	Turn the ignition off to the lock position. Disconnect the AutoStick® Switch harness connector. Note: Check connectors - Clean/repair as necessary. Measure the resistance between ground and the AutoStick® Ground circuit at the AutoStick® harness connector. Is the resistance above 5.0 ohms? Yes → Repair the AutoStick® Ground circuit for an open. No → Go To 3	All
3	Turn the ignition off to the lock position. Disconnect the PCM harness connector. Disconnect the AutoStick® Switch harness connector. Note: Check connectors - Clean/repair as necessary. CAUTION: DO NOT PROBE THE PCM HARNESS CONNECTORS. PROBING THE PCM HARNESS CONNECTORS WILL DAMAGE THE PCM TERMINALS RESULTING IN POOR TERMINAL TO PIN CONNECTION. INSTALL MILLER SPECIAL TOOL #8815 TO PERFORM DIAGNOSIS. Measure the resistance of the Upshift Sense circuit between the Pinout Box and the AutoStick® Switch harness connector. Is the resistance above 5.0 ohms? Yes → Repair the AutoStick® Upshift Sense circuit for an open. No → Go To 4	All

***NO MANUAL AUTOSTICK OPERATION — Continued**

TEST	ACTION	APPLICABILITY
4	Turn the ignition off to the lock position. Disconnect the PCM harness connector. Disconnect the AutoStick® Switch harness connector. Note: Check connectors - Clean/repair as necessary. CAUTION: DO NOT PROBE THE PCM HARNESS CONNECTORS. PROBING THE PCM HARNESS CONNECTORS WILL DAMAGE THE PCM TERMINALS RESULTING IN POOR TERMINAL TO PIN CONNECTION. INSTALL MILLER SPECIAL TOOL #8815 TO PERFORM DIAGNOSIS. Measure the resistance of the Downshift Sense circuit between the Pinout Box and the AutoStick® Switch harness connector. Is the resistance above 5.0 ohms? Yes → Repair the AutoStick® Downshift Sense circuit for an open. No → Go To 5	All
5	Ignition on, engine not running. With the DRBIII® monitor the AutoStick® Switch status. Firmly apply the brake and shift into AutoStick®. Push the shift lever to the right several times to actuate the AutoStick® Upshift Switch and then to the left several times to actuate the AutoStick® Downshift Switch. Do both AutoStick® Upshift and Downshift Switch states toggle? Yes → Test Complete. No → Replace the Powertrain Control Module per the Service Information. WITH THE DRBIII® PERFORM QUICK LEARN AND REPROGRAM PINION FACTOR.	All

Symptom:

***PRNDL FAULT CLEARING PROCEDURE**

POSSIBLE CAUSES
PRNDL FAULT CLEARING PROCEDURE .

TEST	ACTION	APPLICABILITY
1	<p>With the DRBIII®, erase Transmission DTCs. Cycle the ignition off, then start the vehicle. Firmly apply the brakes and shift into Overdrive. NOTE: Vehicle must remain in Overdrive for at least 3.0 seconds. With the brakes firmly applied, shift slowly through all gears (PRNDL) as least three times, pausing momentarily in each gear. NOTE: If all the PRNDL lights box individually then the error was cleared. Shift into park and turn the ignition off to the lock position. Ignition on, engine not running. With the DRBIII®, read Transmission DTCs. Does the DTC P0706 reset, or do all the PRNDL indicators remain boxed in park or neutral?</p> <p style="padding-left: 40px;">Yes → Return to the symptom list and perform diagnostics for P0706 CHECK SHIFTER SIGNAL. Perform 41TE (NGC) TRANSMISSION VERIFICATION TEST - VER 1.</p> <p style="padding-left: 40px;">No → Test Complete. Perform 41TE (NGC) TRANSMISSION VERIFICATION TEST - VER 1.</p>	All

Symptom:***TRANSMISSION NOISY WITH NO DTC'S PRESENT****POSSIBLE CAUSES**

INTERNAL TRANSMISSION PROBLEM - NOISY

INTERNAL TRANSMISSION PROBLEM - NOISY WHILE STANDING STILL

TEST	ACTION	APPLICABILITY
1	<p>Check and adjust the oil level per the Service Information before continuing. Place vehicle on hoist. Run vehicle on hoist under conditions necessary to duplicate the noise. CAUTION: BE SURE TO KEEP HANDS AND FEET CLEAR OF ROTATING WHEELS. Using Chassis Ears or other suitable device, verify that the noise is coming from the transmission. Is the noise coming from the transmission?</p> <p>Yes → Go To 2 No → Test Complete.</p>	All
2	<p>With the shift lever in neutral, raise the engine speed and listen to the noise. NOTE: THE RADIO MUST BE TURNED OFF. Alternator noise can come through the speakers and be misinterpreted as Transmission Pump Whine. This can happen even with the volume turned down. Does the noise get louder or change pitch while the engine speed is changing?</p> <p>Yes → Go To 3 No → Go To 4</p>	All
3	<p>If there are no possible causes remaining, view repair.</p> <p>Repair Repair internal transmission problem as necessary. Inspect all of the transmission components for signs of wear. If no problems found, replace the Transmission Oil pump.</p>	All
4	<p>If there are no possible causes remaining, view repair.</p> <p>Repair Repair internal transmission problem as necessary. Inspect all of the transmission components for signs of wear. Pay particular attention to bearings, pinion gears, etc. Repair or replace as necessary.</p>	All

Symptom:

***TRANSMISSION SHIFTS EARLY WITH NO DTC'S**

POSSIBLE CAUSES
VEHICLE BUS PROBLEMS CHECK FOR INTERMITTENT WIRING & CONNECTORS COLD TRANSMISSION

TEST	ACTION	APPLICABILITY
1	Using the DRBIII®, check all other Modules for signs of a PCI bus problem such as bus related DTC's and/or communication problems. Check and diagnose all 1 trip failures as a hard code. Although it takes two occurrences of a missed TRD link message to set the DTC P1793, one missed message will cause the transmission to short shift until the next start up. If the vehicle has any indications of a bus problem, the bus must be repaired first Do any of the other modules show signs of a bus problem? Yes → Refer to the Communication category and perform the appropriate diagnostics. No → Go To 2	All
2	The conditions necessary to set the DTC are not present at this time. Using the schematics as a guide, inspect the wiring and connectors specific to this circuit. Wiggle the wires while checking for shorts and open circuits. Although it takes two occurrences of a missed TRD link message to set the DTC P1793, one missed message will cause the transmission to short shift until the next start up. If the vehicle has any indications of a bus problem, the bus must be repaired first Were there any problems found? Yes → Repair as necessary. No → Go To 3	All
3	If the transmission shifts too early when the transmission is cold, this is a normal condition. The software is designed to protect the transmission from high torque and/or high RPM shifts during cold operation. Did the problem occur when the transmission temperature was cold? Yes → This is a normal condition. The software is designed to protect the transmission from high torque and/or high RPM shifts during cold operation. No → Test Complete.	All

Symptom:***TRANSMISSION SIMULATOR 8333 WILL NOT POWER UP****POSSIBLE CAUSES**

TRANSMISSION SIMULATOR WILL NOT POWER UP

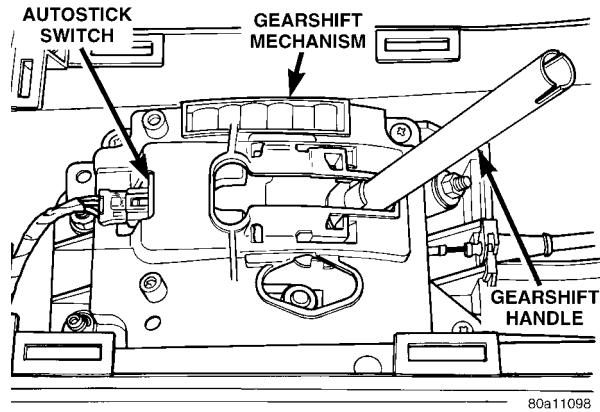
TEST	ACTION	APPLICABILITY
1	<p>NOTE: Make sure to check for any Transmission Control Relay DTCs. or conditions. A stuck open Transmission Control Relay can cause the Transmission Simulator to not Power up.</p> <p>NOTE: If the Transmission Simulator, Miller tool #8333 and the Electronic Transmission Adapter kit 8333-1A will not power up make sure to check all connectors and the ground cable for proper installation.</p> <p>If there are no possible causes remaining, view repair.</p> <p>Repair</p> <p>Check and repair these symptoms before having the Transmission Simulator repaired.</p>	All

Verification Tests

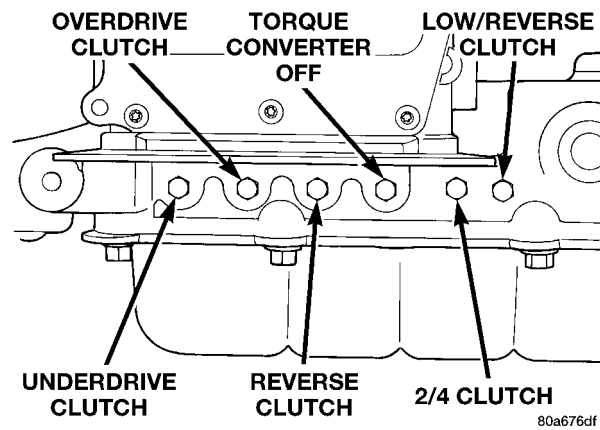
41TE (NGC) TRANSMISSION VERIFICATION TEST - VER 1	APPLICABILITY
<p>1. NOTE: After completion of the Transmission Verification Test, the Powertrain Verification Test must be performed. Refer to the Powertrain Category.</p> <p>2. Connect the DRBIII® to the Data Link Connector (DLC).</p> <p>3. Reconnect any disconnected components.</p> <p>4. With the DRBIII®, erase all Transmission DTC's, also erase the PCM DTC's.</p> <p>5. Perform *PRNDL FAULT CLEARING PROCEDURE after completion of repairs for P0706 CHECK SHIFTER SIGNAL.</p> <p>6. With the DRBIII®, display Transmission Temperature. Start and run the engine until the Transmission Temperature is HOT, above 43° C or 110° F.</p> <p>7. Check the transmission fluid and adjust if necessary. Refer to the Service Information for the Fluid Fill procedure.</p> <p>8. NOTE: If the Transmission Control Module or Torque Converter has been replaced, or if the Transmission has been repaired or replaced, it is necessary to perform the DRBIII® Quick Learn Procedure and reset the "Pinion Factor".</p> <p>9. Road test the vehicle. With the DRBIII®, monitor the engine RPM. Make 15 to 20 1-2, 2-3, 3-4 upshifts. Perform these shifts from a standing start to 45 MPH with a constant throttle opening of 20 to 25 degrees.</p> <p>10. Below 25 MPH, make 5 to 8 wide open throttle kickdowns to 1st gear. Allow at least 5 seconds each in 2nd and 3rd gear between each kickdown.</p> <p>11. For a specific DTC, drive the vehicle to the Symptom's When Monitored/When Set conditions to verify the DTC is repaired.</p> <p>12. If equipped with AutoStick®, upshift and downshift several times using the AutoStick® feature during the road test.</p> <p>13. NOTE: Use the EATX OBDII task manager to run Good Trip time in each gear, this will confirm the repair and to ensure that the DTC has not re-matured.</p> <p>14. Check for Diagnostic Trouble Codes (DTC's) during the road test. If a DTC sets during the road test , return to the Symptom list and perform the appropriate symptom.</p> <p>15. NOTE: Erase P0700 DTC in the PCM to turn the MIL light off after making transmission repairs.</p> <p>Were there any Diagnostic Trouble Codes set during the road test?</p> <p>Yes → Repair is not complete, refer to the appropriate symptom.</p> <p>No → Repair is complete.</p>	<p>All</p>

8.0 COMPONENT LOCATIONS

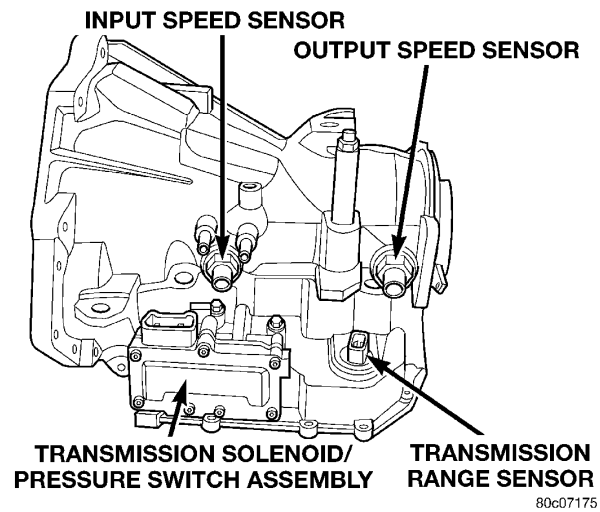
8.1 AUTO STICK - IF EQUIPPED



8.2 PRESSURE PORT LOCATIONS

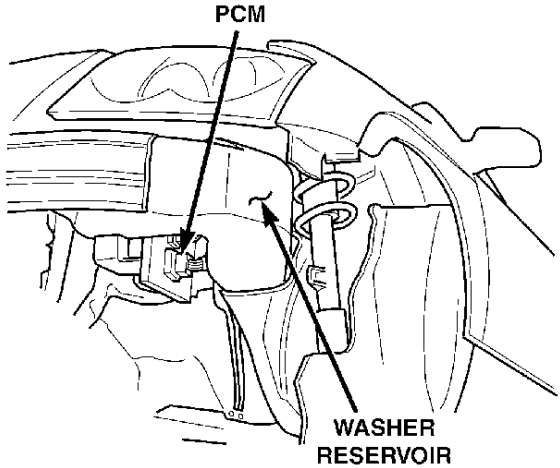


8.3 TRANSMISSION COMPONENT LOCATIONS



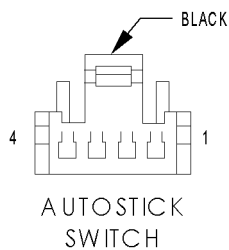
COMPONENT LOCATIONS

8.4 POWERTRAIN COMPONENT LOCATION



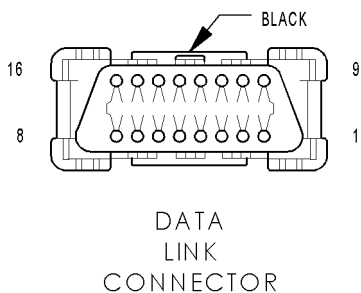
810f3bd

9.0 CONNECTOR PINOUTS



AUTOSTICK SWITCH - BLACK 4 WAY

CAV	CIRCUIT	FUNCTION
1	T44 20YL/DG	AUTOSTICK DOWNSHIFT SWITCH SIGNAL
2	T5 20DG/YL	AUTOSTICK UPSHIFT SWITCH SIGNAL
3	Z65 20BK/YL	GROUND
4	F1 20PK/WT	IGNITION UNLOCK-RUN-START

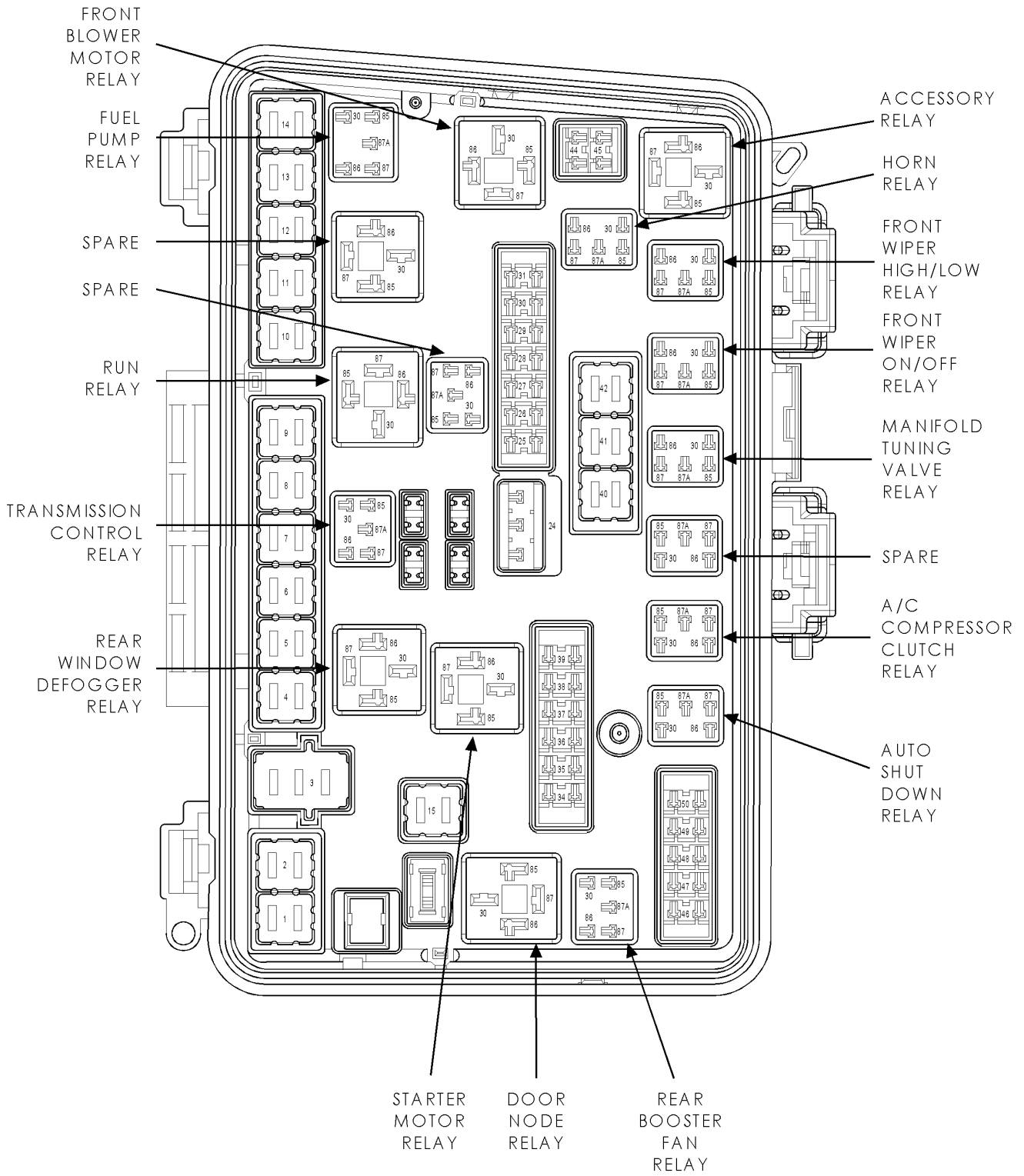


DATA LINK CONNECTOR - BLACK 16 WAY

CAV	CIRCUIT	FUNCTION
1	-	-
2	D25 20WT/VT	PCI BUS
3	-	-
4	Z11 18BK/LG	GROUND
5	Z111 18BK/WT	GROUND
6	-	-
7	D21 20WT/GY	SCI TRANSMIT (PCM)
8	-	-
9	D123 20WT/BR	FLASH PROGRAM ENABLE
10	D24 20WT/YL	FLASH ABS
11	-	-
12	D20 20WT/LG	SCI RECEIVE (PCM)
13	-	-
14	-	-
15	D15 20BR/WT	SCI TRANSMIT (TCM)
16	A105 20DB/RD	FUSED B(+)

CONNECTOR PINOUTS

INTEGRATED POWER MODULE
(FRONT VIEW)



CONNECTOR PINOUTS

CONNECTOR PINOUTS

FUSES (IPM)

FUSE NO.	AMPS	FUSED CIRCUIT	FUNCTION
1	40A	A107 12TN/RD	FUSED B(+)
2	-	-	-
3	30A	INTERNAL	FUSED B(+) (I.O.D.)
4	40A	A101 12VT/RD	FUSED B(+)
5	40A	INTERNAL	FUSED B(+)
6	30A	INTERNAL	FUSED B(+)
7	40A	INTERNAL	FUSED B(+)
8	40A	A110 12DG/RD	FUSED B(+)
9	40A	A130 12VT/RD (POWER SUNROOF)	FUSED B(+)
10	30A	A701 14BR/RD (EARLY BUILD)	FUSED B(+)
10	30A	A100 16RD/VT (TRAILER TOW LATE BUILD)	FUSED B(+)
11	40A	A115 12YL/RD (POWER LIFTGATE)	FUSED B(+)
12	-	-	-
13	40A	A112 12OR/RD	FUSED B(+)
14	-	-	-
15	40A	A111 12DG/RD	FUSED B(+)
24	20A	F307 16LB/PK	FUSED ACCESSORY RELAY OUTPUT
25	15A	F316 20PK/OR	FUSED ACCESSORY RELAY OUTPUT
26	20A	F306 16DB/PK	FUSED ACCESSORY RELAY OUTPUT
27	-	-	-
28	25A	INTERNAL	FUSED B(+)
29	20A	A108 18LG/RD	FUSED B(+)
30	10A	A106 20LB/RD	FUSED B(+)
31	20A	A701 18BR/RD (LATE BUILD)	FUSED B(+)
31	20A	A100 18RD/VT (TRAILER TOW EARLY BUILD)	FUSED B(+)
34	10A	C51 18LB/BR	FUSED REAR BOOSTER FAN RELAY OUTPUT
35	-	-	-
36	20A	INTERNAL	FUSED B(+)
37	25A	INTERNAL	FUSED B(+)
38	20A	INTERNAL	FUSED B(+)
39	20A	A109 18OR/RD	FUSED B(+)
40	40A	F515 12PK/LB	FUSED DOOR NODE RELAY OUTPUT
41	40A	F516 12PK	FUSED DOOR NODE RELAY OUTPUT
42	40A	C7 12DB	FUSED FRONT BLOWER MOTOR RELAY OUTPUT
44	25A	F525 16TN/PK (MIDDLE ROW HEATED SEATS)	FUSED RUN RELAY OUTPUT
45	10A	INTERNAL	FUSED RUN RELAY OUTPUT
46	20A	A214 18RD/LB	FUSED B(+)
47	20A	A215 18RD/LG	FUSED B(+)
48	15A	A114 20GY/RD	FUSED B(+)
49	25A	A116 16YL/RD	FUSED B(+)
50	15A	A118 20RD/OR	FUSED B(+)

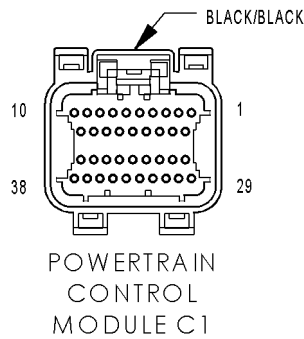
CONNECTOR PINOUTS

TRANSMISSION CONTROL RELAY

CAV	CIRCUIT	FUNCTION
30	INTERNAL	FUSED B(+)
85	T15 20YL/BR	TRANSMISSION CONTROL RELAY CONTROL
86	Z115 18BK/OR	GROUND
87	T16 16YL/OR	TRANSMISSION CONTROL RELAY OUTPUT
87A	-	-

CONNECTOR PINOUTS

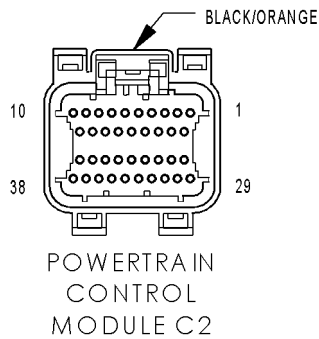
POWERTRAIN CONTROL MODULE C1 - BLACK/BLACK 38 WAY



CAV	CIRCUIT	FUNCTION
1	-	-
2	-	-
3	-	-
4	-	-
5	-	-
6	-	-
7	-	-
8	-	-
9	Z130 16BK/BR	GROUND
10	-	-
11	F202 20PK/GY	FUSED IGNITION SWITCH OUTPUT (RUN-START)
12	F1 20PK/WT	IGNITION UNLOCK-RUN-START
13	-	-
14	-	-
15	-	-
16	K236 16DB/LG	SRV SOL CONTROL
17	-	-
18	Z131 16BK/DG	GROUND
19	-	-
20	G6 16VT/GY	OIL PRESSURE SIGNAL
21	-	-
22	G31 20OR/VT	AAT SIGNAL
23	-	-
24	-	-
25	D20 20WT/LG	SCI RECEIVE (PCM)
26	D123 20WT/BR	FLASH PROGRAM ENABLE
27	-	-
28	-	-
29	A109 18OR/RD	FUSED B(+)
30	T751 20YL	IGNITION SWITCH OUTPUT (START)
31	K141 20DB/YL	O2 1/2 SIGNAL
32	K904 20DB/DG	O2 RETURN (DOWN)
33	-	-
34	-	-
35	-	-
36	D21 20WT/GY	SCI TRANSMIT (PCM)
37	D15 20BR/WT	SCI TRANSMIT (TCM)
38	D25 20WT/VT	PCI BUS

CONNECTOR PINOUTS

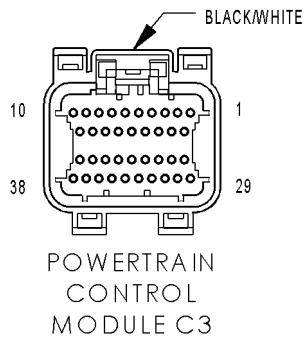
POWERTRAIN CONTROL MODULE C2 - BLACK/ORANGE 38 WAY



CAV	CIRCUIT	FUNCTION
1	K10 16DB/OR	COIL CONTROL NO. 6
2	K16 16DB/YL	COIL CONTROL NO. 5
3	K15 16DB	COIL CONTROL NO. 4
4	K58 16BR/VT	INJECTOR CONTROL NO. 6
5	K38 16BR/OR	INJECTOR CONTROL NO. 5
6	-	-
7	K18 16DB/OR	COIL CONTROL NO. 3
8	K35 18DB/VT	EGR SOL CONTROL
9	K17 16DB/TN	COIL CONTROL NO. 2
10	K19 16DB/DG	COIL CONTROL NO. 1
11	K14 16BR/TN	INJECTOR CONTROL NO. 4
12	K13 16BR/LB	INJECTOR CONTROL NO. 3
13	K12 16BR/DB	INJECTOR CONTROL NO. 2
14	K11 16BR/YL	INJECTOR CONTROL NO. 1
15	-	-
16	K36 20DB/YL	MTV CONTROL
17	-	-
18	K99 18BR/TN	O2 1/1 HEATER CONTROL
19	K20 18BR/GY	GEN FIELD CONTROL
20	K2 18VT/OR	ECT SIGNAL
21	K22 18BR/OR	TP SIGNAL
22	K34 20DB/LG	EGR SIGNAL
23	K1 20VT/BR	MAP SIGNAL
24	K942 20BR/LG	KS RETURN
25	K42 20DB/OR	KS SIGNAL
26	-	-
27	K900 20DB/DG	SENSOR GROUND
28	K961 20BR/VT	IAC RETURN
29	F855 20PK/YL	5 VOLT SUPPLY
30	K21 20BR/WT	IAT SIGNAL
31	K41 18DB/LB	O2 1/1 SIGNAL
32	K902 18BR/DG	O2 RETURN (UP)
33	-	-
34	K44 20DB/GY	CMP SIGNAL
35	K24 20BR/LB	CKP SIGNAL
36	-	-
37	-	-
38	K61 20VT/GY	IAC MOTOR CONTROL

CONNECTOR PINOUTS

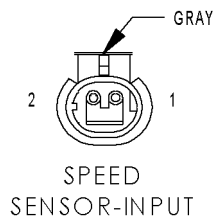
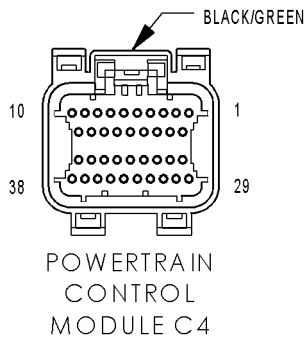
POWERTRAIN CONTROL MODULE C3 - BLACK/WHITE 38 WAY



CAV	CIRCUIT	FUNCTION
1	-	-
2	-	-
3	K51 18BR/GY	AUTOMATIC SHUT DOWN RELAY CONTROL
4	-	-
5	V35 20VT/OR	S/C VENT CONTROL
6	K173 20BR/VT	RAD FAN RELAY CONTROL
7	V32 20VT/YL	S/C SUPPLY
8	K106 20VT/LB	NVLD SOL CONTROL
9	K299 18BR/OR	O2 1/2 HEATER CONTROL
10	-	-
11	C13 20LB/OR	A/C CLUTCH RELAY CONTROL
12	V36 20YL/VT	S/C VACUUM CONTROL
13	-	-
14	-	-
15	-	-
16	-	-
17	-	-
18	-	-
19	K342 16BR/WT	AUTOMATIC SHUT DOWN RELAY OUTPUT
20	K52 20DB/WT	EVAP PURGE CONTROL
21	-	-
22	-	-
23	B29 20DG/WT	BRAKE SWITCH SIGNAL
24	-	-
25	-	-
26	T44 20YL/DG	AUTOSTICK DOWNSHIFT SWITCH SIGNAL
27	T5 20DG/YL	AUTOSTICK UPSHIFT SWITCH SIGNAL
28	K342 16BR/WT	AUTOMATIC SHUT DOWN RELAY OUTPUT
29	K70 20DB/BR	EVAP PURGE RETURN
30	-	-
31	C18 20LB/BR	A/C PRESSURE TRANSDUCER SIGNAL
32	K91 20DB/YL	BATTERY TEMP SIGNAL
33	-	-
34	V37 20VT	S/C SWITCH SIGNAL
35	K107 20VT/WT	NVLD SWITCH SIGNAL
36	-	-
37	K31 20BR	FUEL PUMP RELAY CONTROL
38	T752 20DG/OR	STARTER RELAY CONTROL

POWERTRAIN CONTROL MODULE C4 - BLACK/GREEN 38 WAY

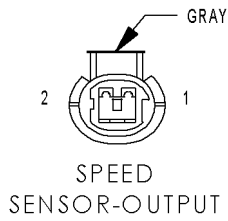
CAV	CIRCUIT	FUNCTION
1	T60 18YL/GY	OVERDRIVE SOLENOID CONTROL
2	T59 18YL/LB	UNDERDRIVE SOLENOID CONTROL
3	-	-
4	-	-
5	-	-
6	T19 18DB/YL	2-4 SOLENOID CONTROL
7	-	-
8	-	-
9	-	-
10	T20 18WT/DG	LOW/REVERSE SOLENOID CONTROL
11	-	-
12	-	-
13	Z133 16BK/LG	GROUND
14	Z133 16BK/LG	GROUND
15	T1 18LB/DG	TRS T1 SENSE
16	T3 18DG/DB	TRS T3 SENSE
17	-	-
18	T15 20YL/BR	TRANSMISSION CONTROL RELAY CONTROL
19	-	-
20	-	-
21	-	-
22	T9 18DG/TN	OVERDRIVE PRESSURE SWITCH SENSE
23	-	-
24	-	-
25	-	-
26	-	-
27	T41 18YL/DB	TRS T41 SENSE
28	T16 16YL/OR	TRANSMISSION CONTROL RELAY OUTPUT
29	T50 18YL/TN	LOW/REVERSE PRESSURE SWITCH SENSE
30	T47 18YL/DG	2-4 PRESSURE SWITCH SENSE
31	-	-
32	T14 18DG/BR	OUTPUT SPEED SENSOR SIGNAL
33	T52 18DG/WT	INPUT SPEED SENSOR SIGNAL
34	T13 18DG/VT	SPEED SENSOR GROUND
35	T54 18DG/OR	TRANSMISSION TEMPERATURE SENSOR SIGNAL
36	-	-
37	T42 18DG/YL	TRS T42 SENSE
38	T16 16YL/OR	TRANSMISSION CONTROL RELAY OUTPUT



SPEED SENSOR-INPUT - GRAY 2 WAY

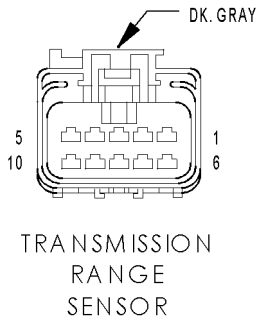
CAV	CIRCUIT	FUNCTION
1	T13 18DG/VT	SPEED SENSOR GROUND
2	T52 18DG/WT	INPUT SPEED SENSOR SIGNAL

CONNECTOR PINOUTS



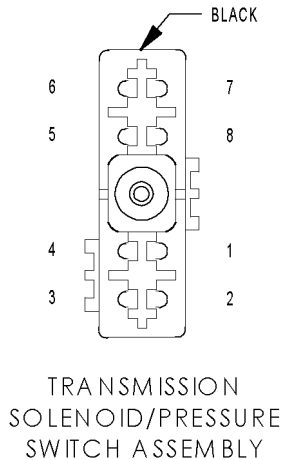
SPEED SENSOR-OUTPUT - GRAY 2 WAY

CAV	CIRCUIT	FUNCTION
1	T13 18DG/VT	SPEED SENSOR GROUND
2	T14 18DG/BR	OUTPUT SPEED SENSOR SIGNAL



TRANSMISSION RANGE SENSOR - DK. GRAY 10 WAY

CAV	CIRCUIT	FUNCTION
1	-	-
2	-	-
3	T13 18DG/VT	SPEED SENSOR GROUND
4	T54 18DG/OR	TRANSMISSION TEMPERATURE SENSOR SIGNAL
5	T41 18YL/DB	TRS T41 SENSE
6	-	-
7	T1 18LB/DG	TRS T1 SENSE
8	T3 18DG/DB	TRS T3 SENSE
9	T42 18DG/YL	TRS T42 SENSE
10	T41 18YL/DB	TRS T41 SENSE

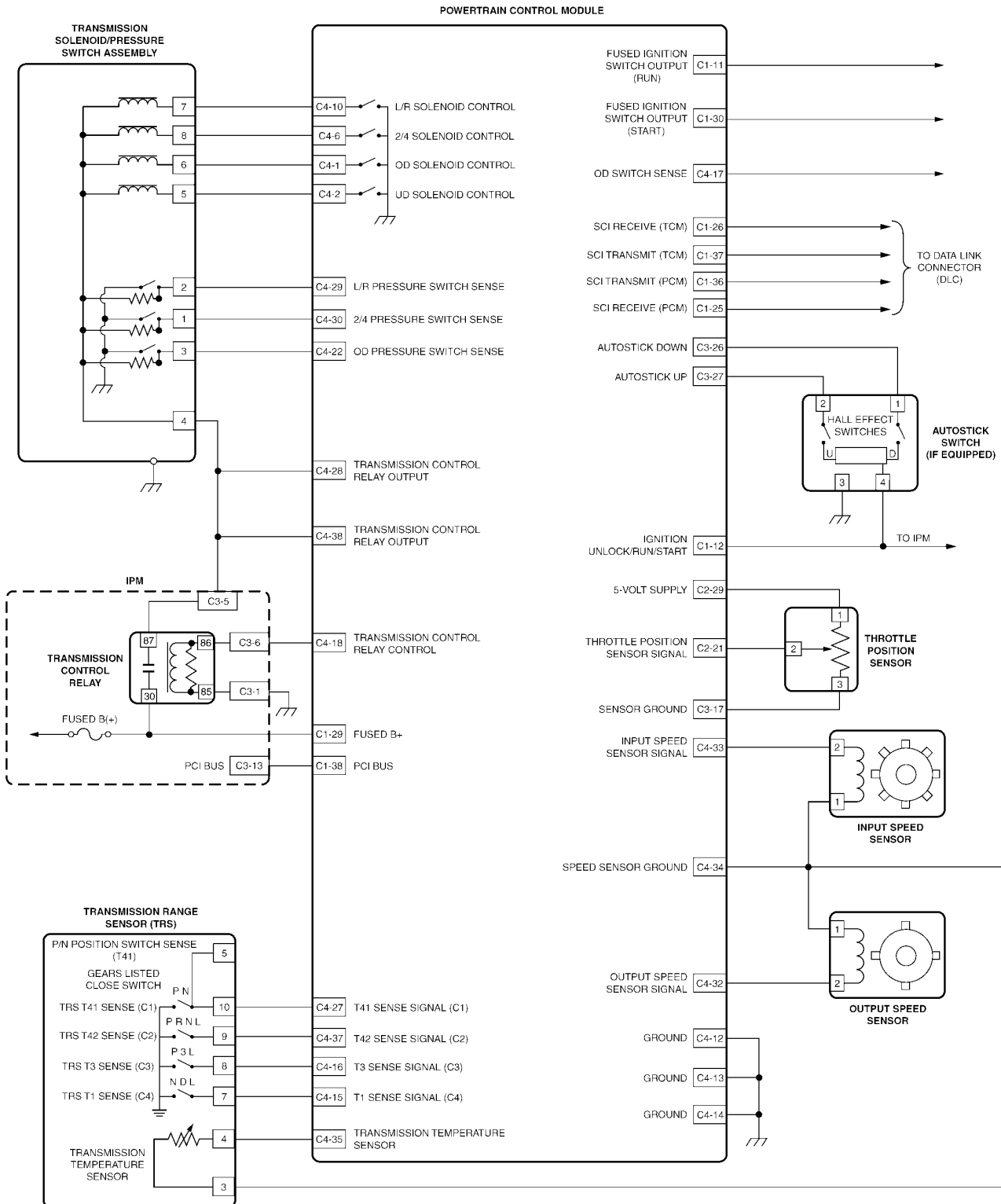


TRANSMISSION SOLENOID/PRESSURE SWITCH ASSEMBLY - BLACK 8 WAY

CAV	CIRCUIT	FUNCTION
1	T47 18YL/DG	2-4 PRESSURE SWITCH SENSE
2	T50 18YL/TN	LOW/REVERSE PRESSURE SWITCH SENSE
3	T9 18DG/TN	OVERDRIVE PRESSURE SWITCH SENSE
4	T16 16YL/OR	TRANSMISSION CONTROL RELAY OUTPUT
5	T59 18YL/LB	UNDERDRIVE SOLENOID CONTROL
6	T60 18YL/GY	OVERDRIVE SOLENOID CONTROL
7	T20 18WT/DG	LOW/REVERSE SOLENOID CONTROL
8	T19 18DB/YL	2-4 SOLENOID CONTROL

10.0 SCHEMATIC DIAGRAMS

41TE TRANSMISSION



81050bed

11.0 CHARTS AND GRAPHS
TRANSMISSION RANGE SENSOR STATES

TRANSMISSION RANGE SENSOR STATES											
TRS	PARK	T1	REVERSE	T2	NEUTRAL	T2	OD	T3	D3/AS	T3	L
T1 (C4)	OPEN	OPEN	OPEN	CLOSED	CLOSED	CLOSED	CLOSED	CLOSED	OPEN	CLOSED	CLOSED
T3 (C3)	CLOSED	CLOSED	OPEN	OPEN	OPEN	OPEN	OPEN	CLOSED	CLOSED	CLOSED	CLOSED
T41 (C1)	CLOSED	OPEN	OPEN	OPEN	CLOSED	OPEN	OPEN	OPEN	OPEN	OPEN	OPEN
T42 (C2)	CLOSED	CLOSED	CLOSED	CLOSED	CLOSED	CLOSED	OPEN	OPEN	OPEN	OPEN	CLOSED

80f49d8d

PRESSURE SWITCH STATES

PRESSURE SWITCH STATES						
SWITCHES	R	N	1ST	2ND	3RD	4TH
L/R	OPEN	CLOSED	CLOSED	OPEN	OPEN	OPEN
2/4	OPEN	OPEN	OPEN	CLOSED	OPEN	CLOSED
O/D	OPEN	OPEN	OPEN	OPEN	CLOSED	CLOSED

80d9d3b5

CHARTS AND GRAPHS

SOLENOID APPLICATION CHART

SOLENOID APPLICATION CHART

GEAR	UD	OD	REV	2/4	LR
PARK					X
REVERSE			X		X
NEUTRAL					X
1ST	X				X
2ND	X			X	
3RD	X	X			
4TH		X		X	

80cc14c0

SHIFT LEVER ERROR CODES

SHIFT LEVER ERROR CODES
REPORTED BY THE DRBIII®

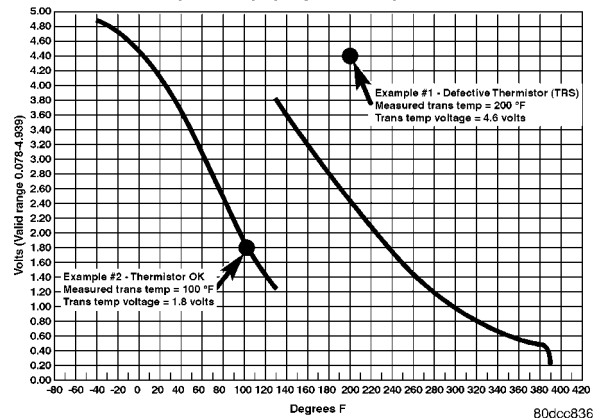
ERROR CODE	SWITCH STUCK	POSITION
1	T1/C4 STUCK	OPEN
2	T1/C4 STUCK	CLOSED
3	T3/C3 STUCK	OPEN
4	T3/C3 STUCK	CLOSED
5	T42/C2 STUCK	OPEN
6	T24/C2 STUCK	CLOSED
7	T41/C1 STUCK	OPEN
8	T41/C1 STUCK	CLOSED

80cc12de

TRANSMISSION TEMPERATURE SENSOR

TRANSMISSION TEMPERATURE SENSOR (DUAL RANGE)

START ENGINE. WITH DRB, MONITOR AND RECORD TRANSMISSION TEMPERATURE VOLTAGE. COMPARE THE MEASURED TEMPERATURE AND VOLTAGE WITH THE GRAPH SHOWN BELOW. THE MEASURED VALUE SHOULD FALL ON ONE OF THE LINES ON THE GRAPH.



80cc836