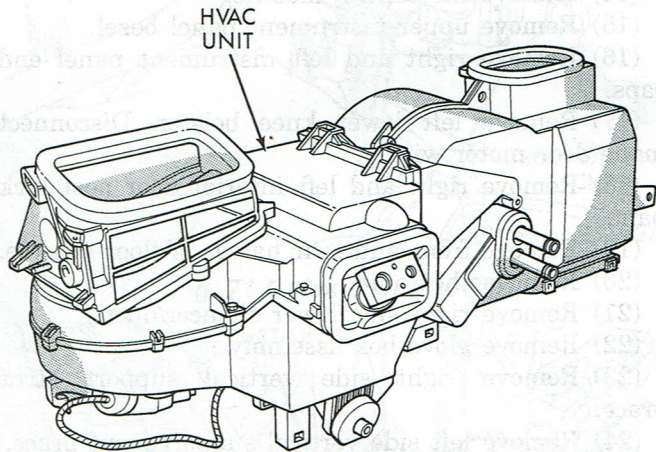


DISASSEMBLY AND ASSEMBLY (Continued)

The heater a/c unit need not be disassembled to replace the heater core. Refer to Heater Core replacement in this section.

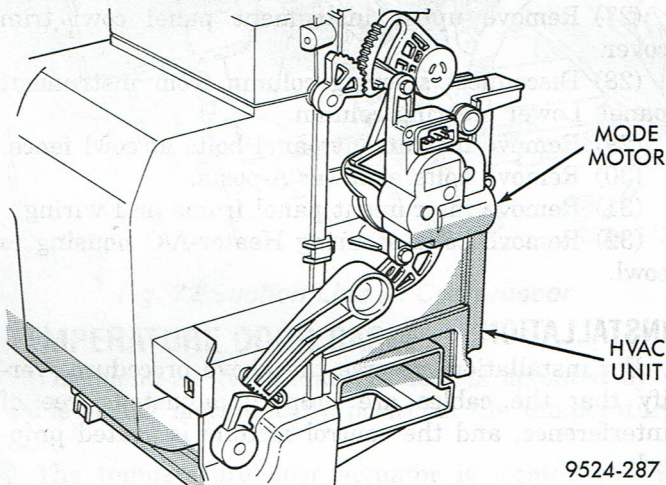
DISASSEMBLE

(1) Place Heater-A/C unit assembly on workbench (Fig. 74) and (Fig. 75).



9524-286

Fig. 74 Heater-A/C Unit



9524-287

Fig. 75 Mode Motor Linkage

- (2) Remove A/C mode motor (Fig. 76).
- (3) Remove upper recirculation air inlet housing (Fig. 77) and (Fig. 78).
- (4) From inside of air inlet, depress release tang on rear inlet door (Fig. 79).
- (5) Remove rear Y-cam actuator lever (Fig. 80).
- (6) Turn front toggle lever until it lines up with slots on housing.
- (7) Pull straight up on toggle lever and slide toggle lever from underneath front actuator lever (Fig. 80).
- (8) Remove front toggle lever (Fig. 80).
- (9) Remove Y-cam rear lever (Fig. 80).

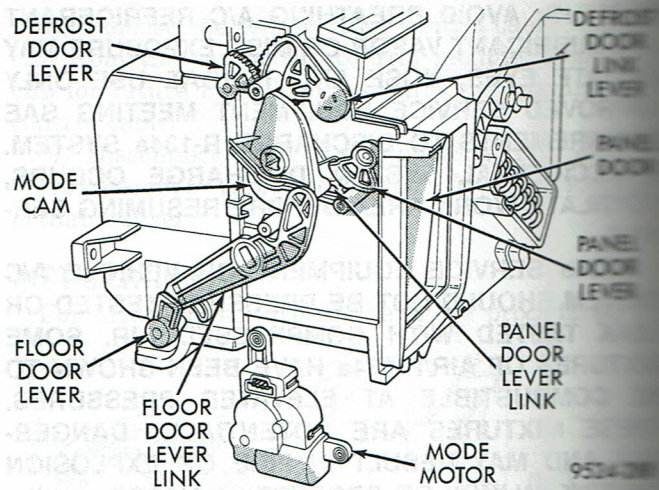


Fig. 76 Mode Motor

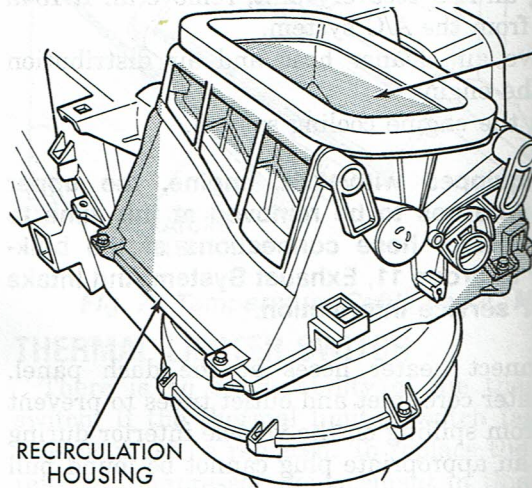


Fig. 77 Recirculation Air Inlet

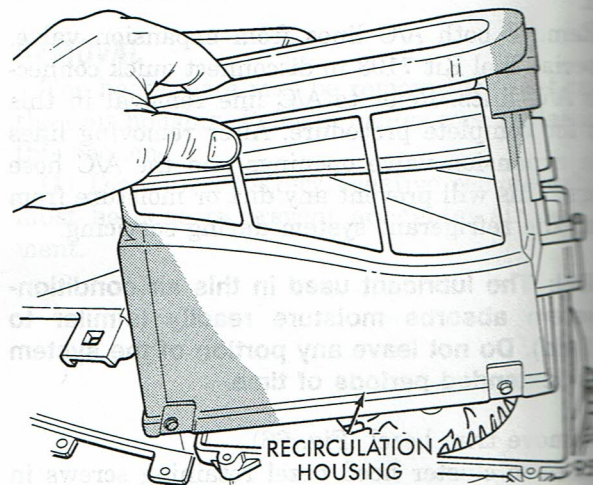


Fig. 78 Recirculation Housing Removal

- (10) Unsnap and remove rear air inlet door (Fig. 81).
- (11) Front air inlet door and lever is serviced with recirculation housing.